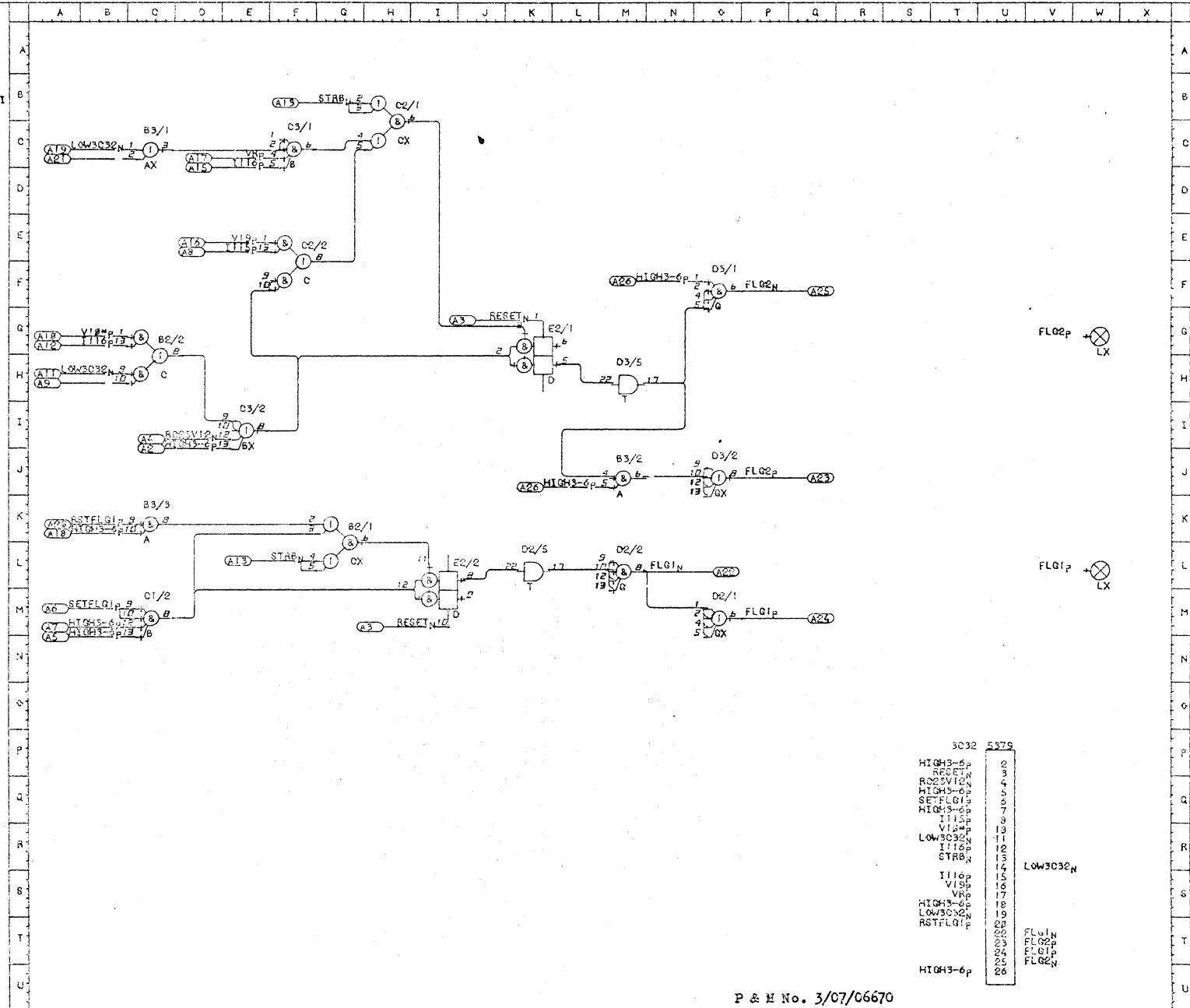


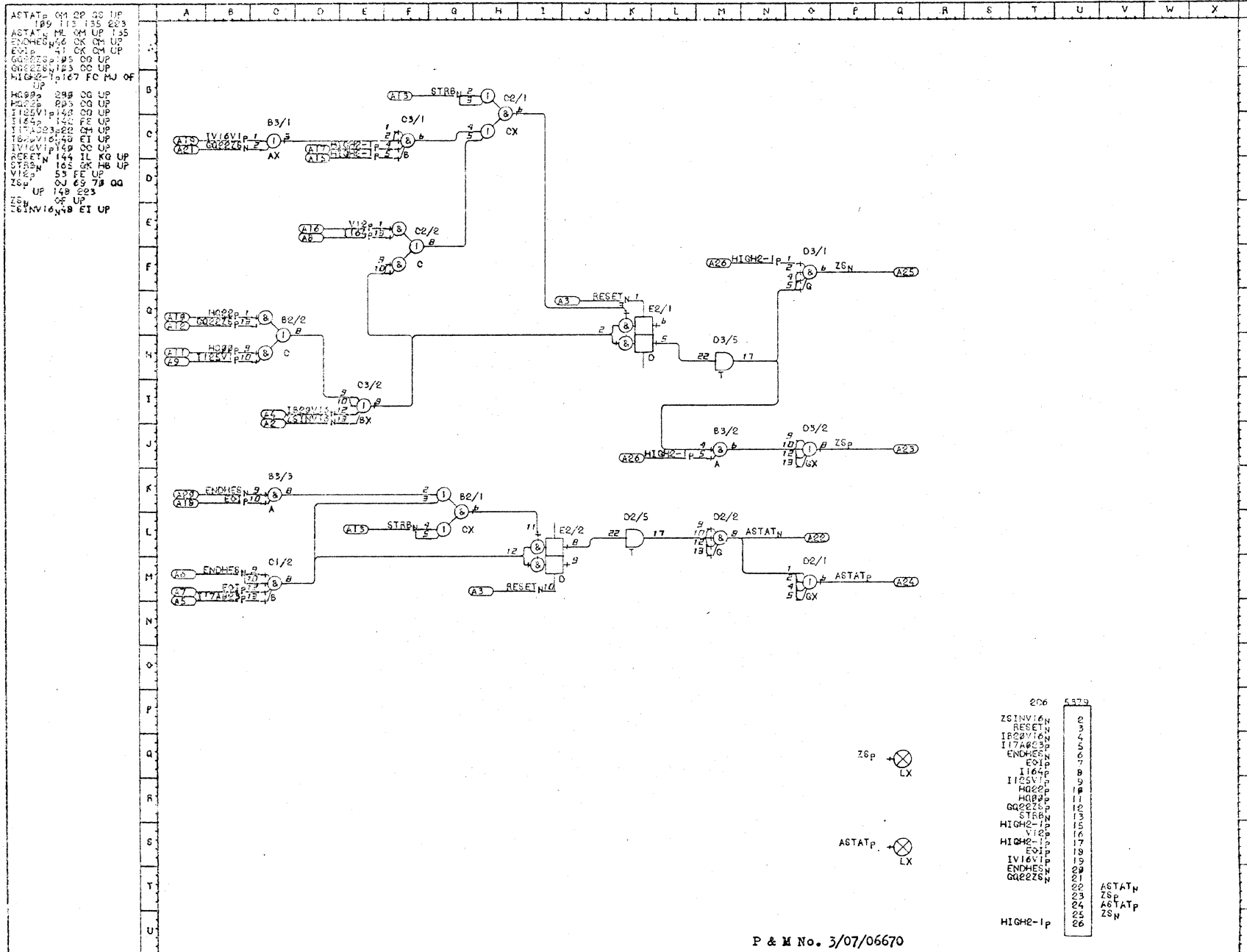
FLG1p 04 14 15 16
 79 87 91 UP WL
 189 161
 FLG1N M 21 23 28
 09 98 55 94
 OH UP 196
 FLOG2p OH UP WQ 189
 FLG2N OF 7 29 36
 04
 HIGH3-6p 167 OK C4 EI
 10 CE UP
 I110p 125 FE UP
 I110p 5391 OG FO
 04
 LOW3032N UP CC OG
 R02SV12N 48 EI UP
 RESETN 174 IL KG UP
 RSTFLG1p 154 OK UP
 SETFLG1p 154 OK UP
 STABN 165 OK HE UP
 V110p 139 OG UP
 V110p 25 FE UP
 VRP 51 FO UP



3032	5379
HIGH3-6p	2
RESETN	3
R02SV12N	4
HIGH3-6p	5
SETFLG1p	6
HIGH3-6p	7
I110p	8
V110p	9
LOW3032N	11
I110p	12
STABN	13
I110p	14
V110p	15
VRP	16
HIGH3-6p	17
LOW3032N	18
RSTFLG1p	19
FLG1N	20
FLG2p	23
FLG1p	24
FLG2N	25
HIGH3-6p	26

P & H No. 3/07/6670

26/02/70		FLG1 & FLG2			WGH01***/0152		
ISPU:1	TYPE MOD:3	TYPE MOD:	TYPE MOD:	TYPE MOD:	TYPE MOD:	TYPE MOD:	
ACC: 2767	ECC: 2725	ECC:	ECC:	ECC:	ECC:	ECC:	

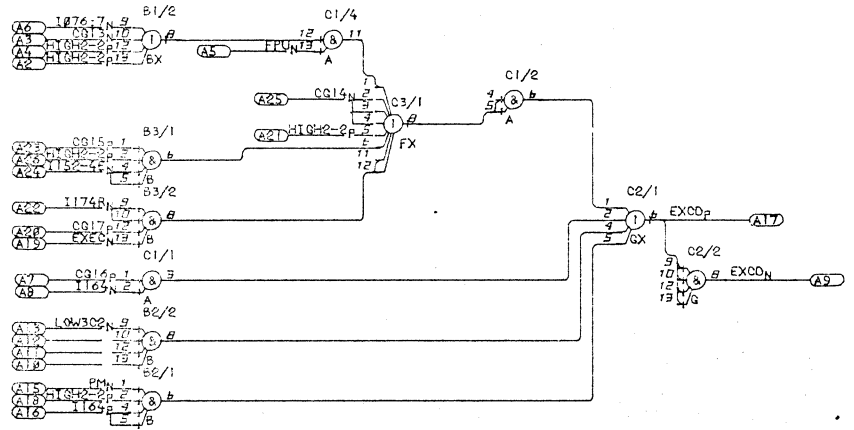


P & M No. 3/07/06670

26/02/70 ZERO SUPP & ASTAT WGH01***/0153

ISSUE: /	TYPE MOD: 3	TYPE MOD:	TYPE MOD:	TYPE MOD:	TYPE MOD:	TYPE MOD:
ADD: 2767	ECC: 2725	ECC:	ECC:	ECC:	ECC:	ECC:

CG19 121 DG UP
 CG14N 121 HD UP
 CG15P 121 DE UP
 CG16P 121 DG UP
 CG17P 121 DF UP
 EXCDP LF 39 44 63
 81 59 MG UP
 135 155
 EXCDN MS 41 UP III
 EXECN 144 DF UP
 FPN 259 GO UP
 HIGH2-2 107 OC DE DI
 HD UP
 1076:7 124 DG UP
 1152-4 139 DE UP
 1164P 160 DI UP
 1164P 5391 DG UP
 1174N 133 DF UP
 LOW3C2N UP DH 137
 PMN 145 DI UP



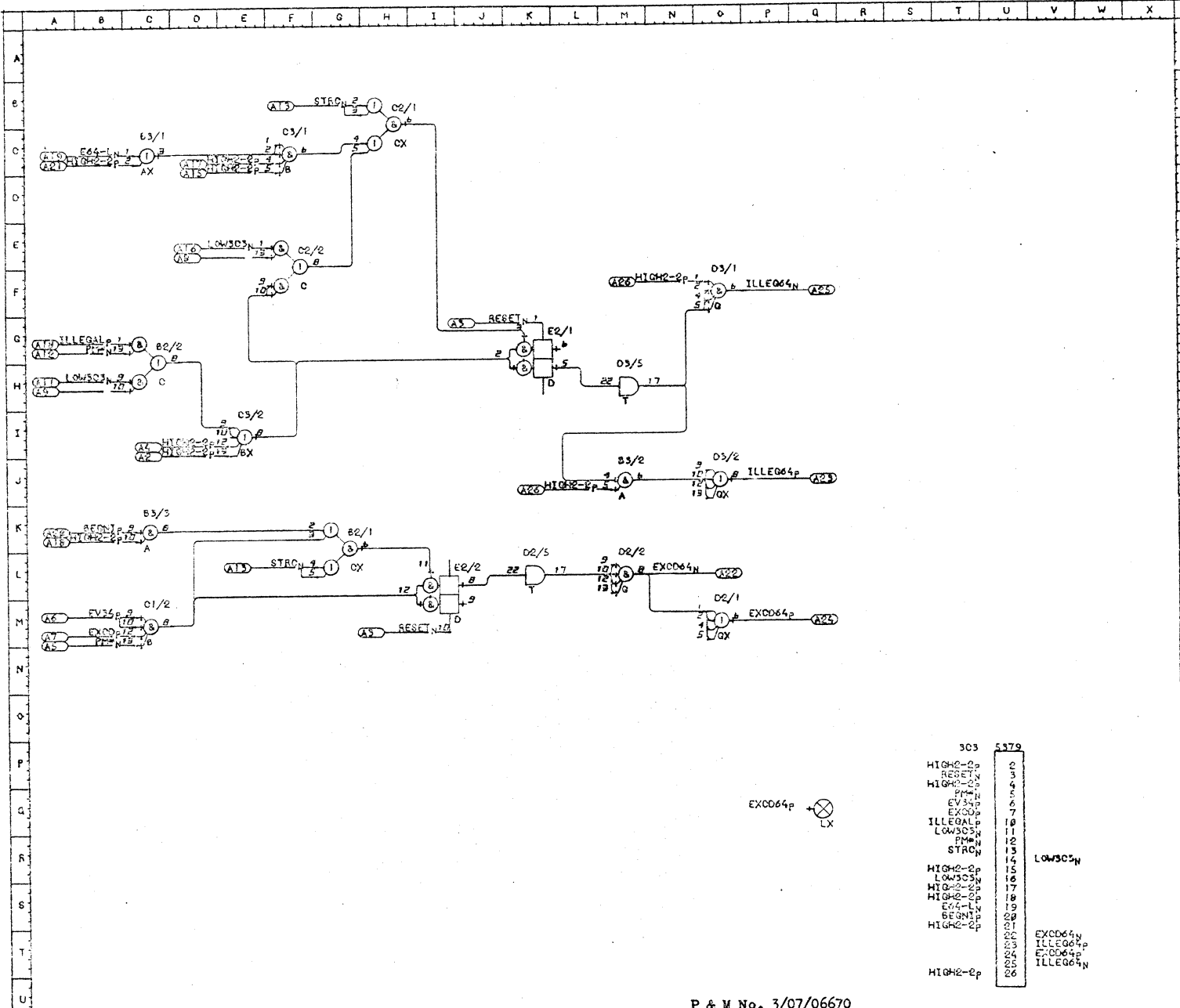
EXTRA CODE
 ENTRY

302	5386
HIGH2-2a	2
CG13N	3
HIGH2-2b	4
FPUN	5
1076:7N	6
CG16P	7
1164N	8
LOW3C2N	9
PMN	10
1164P	11
HIGH2-2F	12
EXECN	13
CG17P	14
HIGH2-2P	15
1174N	16
CG15P	17
1152-4N	18
CG14N	19
HIGH2-2P	20

P & M No. 3/07/06690
 WGH01***/0154

ISSUE: 1	TYPE MOD: 156 DO	TYPE MOD:	TYPE MOD:	TYPE MOD:	TYPE MOD:
ACC: 2767	ECC:	ECC:	ECC:	ECC:	ECC:

BEGN1 165 OK UP
 E64-LN 77 OK UP
 EV34p 38 OK UP
 EXCD64 154 OK UP
 EXCD64-NHL 24 25 49
 94 OK UP
 EXCD64-NHL 26 68 OK UP
 UP
 HIGH2-2 167 OK OK EI
 FO MU OF UP
 ILLEG64-NHL UP
 ILLEG64-NHL UP 157
 ILLEG64-NHL 55 OK UP
 LOW3CSN UP OK FE
 PPMN 139 OK OK UP
 RESET 144 IL OK UP
 STRCN 165 OK OK UP

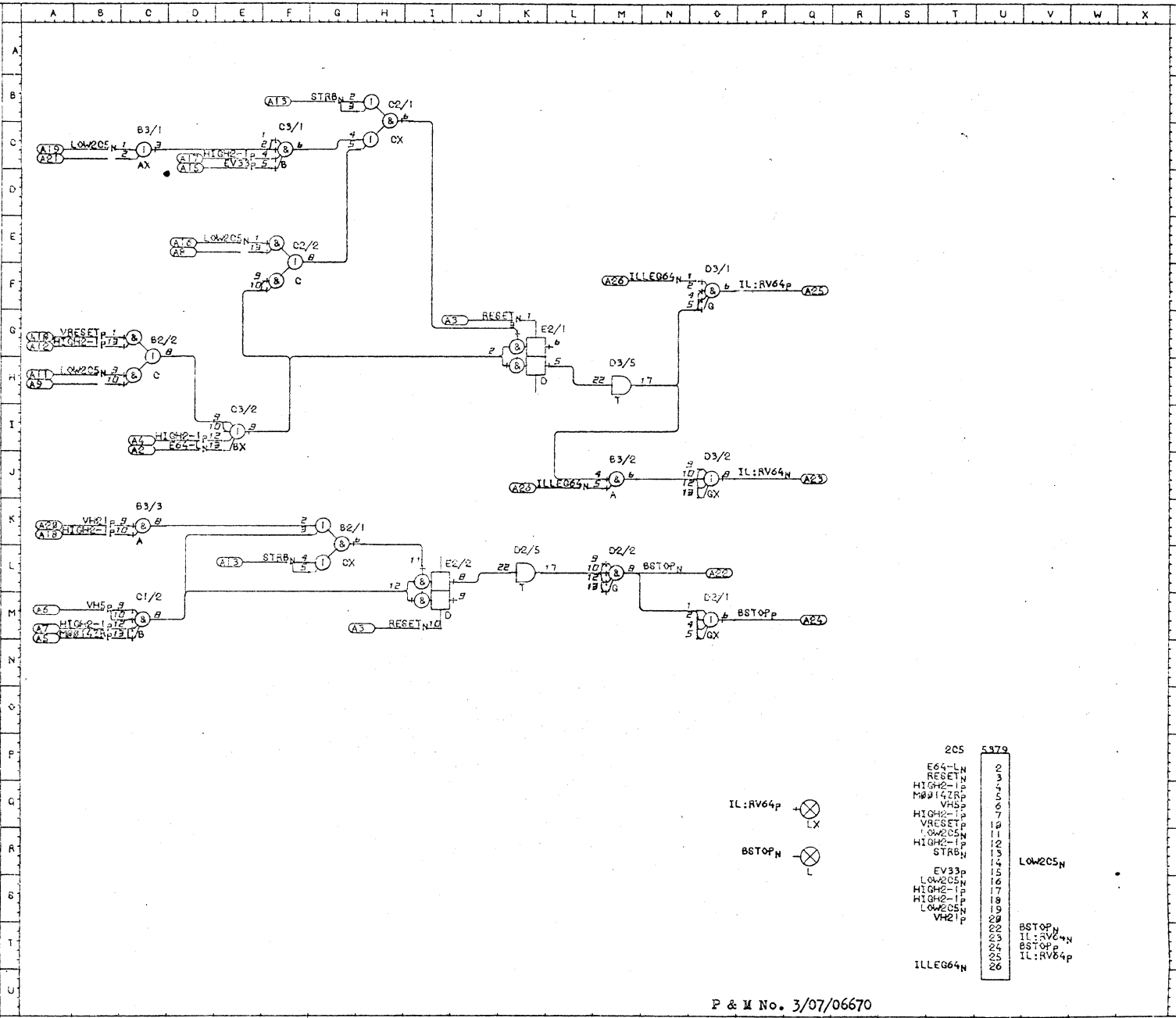


303	5370
HIGH2-2p	20
RESETN	21
HIGH2-2p	22
PPMN	23
EV34p	24
EXCD64p	25
ILLEG64p	26
LOW3CSN	27
PPMN	28
STRCN	29
HIGH2-2p	30
LOW3CSN	31
HIGH2-2p	32
HIGH2-2p	33
EV4-LN	34
BEGN1p	35
HIGH2-2p	36
HIGH2-2p	37
HIGH2-2p	38
HIGH2-2p	39
HIGH2-2p	40
HIGH2-2p	41
HIGH2-2p	42
HIGH2-2p	43
HIGH2-2p	44
HIGH2-2p	45
HIGH2-2p	46
HIGH2-2p	47
HIGH2-2p	48
HIGH2-2p	49
HIGH2-2p	50
HIGH2-2p	51
HIGH2-2p	52
HIGH2-2p	53
HIGH2-2p	54
HIGH2-2p	55
HIGH2-2p	56
HIGH2-2p	57
HIGH2-2p	58
HIGH2-2p	59
HIGH2-2p	60
HIGH2-2p	61
HIGH2-2p	62
HIGH2-2p	63
HIGH2-2p	64
HIGH2-2p	65
HIGH2-2p	66
HIGH2-2p	67
HIGH2-2p	68
HIGH2-2p	69
HIGH2-2p	70
HIGH2-2p	71
HIGH2-2p	72
HIGH2-2p	73
HIGH2-2p	74
HIGH2-2p	75
HIGH2-2p	76
HIGH2-2p	77
HIGH2-2p	78
HIGH2-2p	79
HIGH2-2p	80
HIGH2-2p	81
HIGH2-2p	82
HIGH2-2p	83
HIGH2-2p	84
HIGH2-2p	85
HIGH2-2p	86
HIGH2-2p	87
HIGH2-2p	88
HIGH2-2p	89
HIGH2-2p	90
HIGH2-2p	91
HIGH2-2p	92
HIGH2-2p	93
HIGH2-2p	94
HIGH2-2p	95
HIGH2-2p	96
HIGH2-2p	97
HIGH2-2p	98
HIGH2-2p	99
HIGH2-2p	100

P & M No. 3/07/06670

COMP 26/02/70		EXCD64 & ILLEG64		WGH01***/0155	
ISSUE: 1	TYPE MOD: 3	TYPE MOD:	TYPE MOD:	TYPE MOD:	TYPE MOD:
ACC: 2767	ECC: 2725	ECC:	ECC:	ECC:	ECC:

BSTOP 205 0M 10 UP 196
 205
 BSTOP ML 43 0M QR
 UP
 E64-LN 77 EI UP
 EV33 33 FO UP
 HIGH2-IP 167 GQ CX
 M0914ZR 158 CM UP
 IL:RV64 0F GQ UP 196
 IL:RV64 02 UP
 ILLE664N 155 QJ OF UP
 LOW205N 0P CC GQ FC
 M0914ZR 158 CM UP
 RESETN 144 IL KQ UP
 STRBN 165 QR HB UP
 VH21P 56 QR UP
 VHS2P 59 QR UP
 VRESETP 49 GQ UP



205	5379
E64-LN	2
RESET	3
HIGH2-IN	4
M0914ZR	5
VHS2P	6
HIGH2-IP	7
VRESETP	18
LOW205N	11
HIGH2-IP	12
STRBN	13
EV33P	15
LOW205N	16
HIGH2-IP	17
HIGH2-IP	18
LOW205N	19
VH21P	20
BSTOPN	22
IL:RV64N	23
BSTOPP	24
IL:RV64P	25
ILLE664N	26

P & M No. 3/07/06670

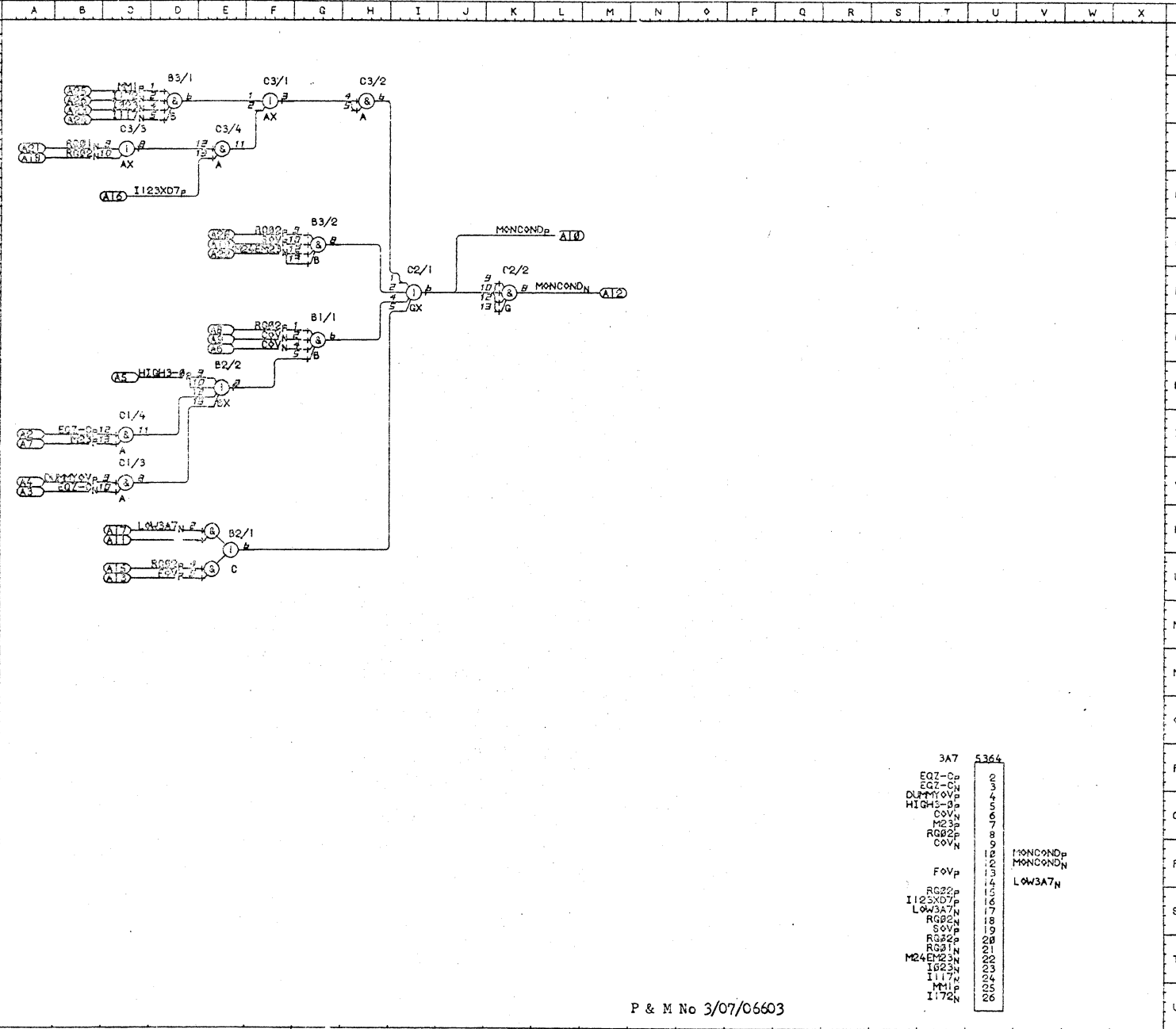
26/02/70

IL:RV64 & BSTOP

WGH01***/0157

ISSUE:	TYPE MOD:	TYPE MOD:	TYPE MOD:	TYPE MOD:	TYPE MOD:	TYPE MOD:
1	MOD: 3					
ACD: 2767	ECC: 2725	ECC:	ECC:	ECC:	ECC:	ECC:

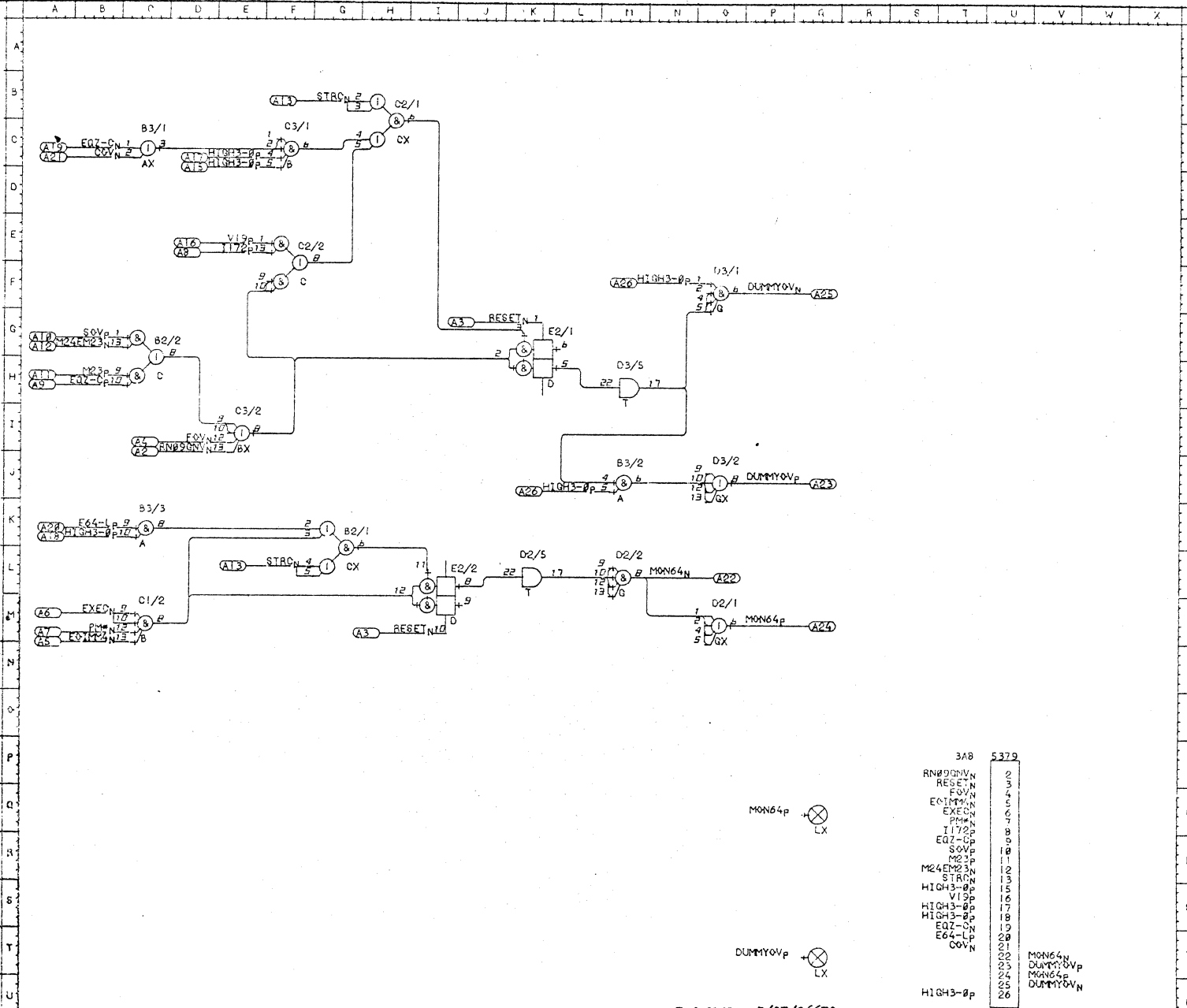
COVN 159 188 GG UP
 DUMMYOV 159 226 CJ UP
 EQZ-CP 85 CI UP 159
 EQZ-CN 85 CJ UP 159
 FOVP 188 EK UP
 HIGH-8 167 1 2 8
 11 7 35 38 39
 48 49 EH UP
 135 148 159
 I117 125 1 22 06
 I123XD7 141 CD UP
 I172N 34 21 37 41
 61 64 74 82 85
 91 08 UP 189
 148 143
 LOW3A7N UP EK UP
 M23P 139 18 28 CI
 UP 111 159
 M24EM23N 247 68 GE UP
 159
 MM1P 141 08 UP
 MONCONDN LE 17 48 UP
 MONCONDN KE UP
 RG81N 227 CC UP
 141
 RG82N 227 11 13 EK
 GE GG UP 148
 227
 RG82N 227 17 CC UP
 SOVP 32 32 GE UP
 159 226



3A7	5364
EQZ-CP	18
EQZ-CN	19
DUMMYOV	20
HIGH-8	21
COVN	22
M23P	23
RG82N	24
COVN	25
FOVP	26
RG82P	27
I123XD7P	28
LOW3A7N	29
RG82N	30
SOVP	31
RG82P	32
RG81N	33
M24EM23N	34
I117N	35
MM1P	36
I172N	37
MONCONDN	38
MONCONDN	39
LOW3A7N	40

P & M No 3/07/06603

COL 188 CC UP
 CMMN XPOV Q1 UP
 DUMYOV UP
 EQ-LP 77 CK UP
 EQ-CN 85 CC UP
 EQ-LP 85 CC UP
 EXECN 144 CM UP
 FOVN 188 EI UP
 HIGH3-0P 167 CK FC M
 OF OV
 I172P 134 FE UP
 M23P 139 CG UP
 M24EM23 247 CG UP
 MON64P 59 CO UP 187
 MON64P MC 22 CM UP
 SOB
 PNM 139 CM UP
 RESET 144 TL KB UP
 RN899OVN 148 EI UP
 SOV 32 CC UP
 STRCN 125 BK HB UP
 VI9P 25 FE UP



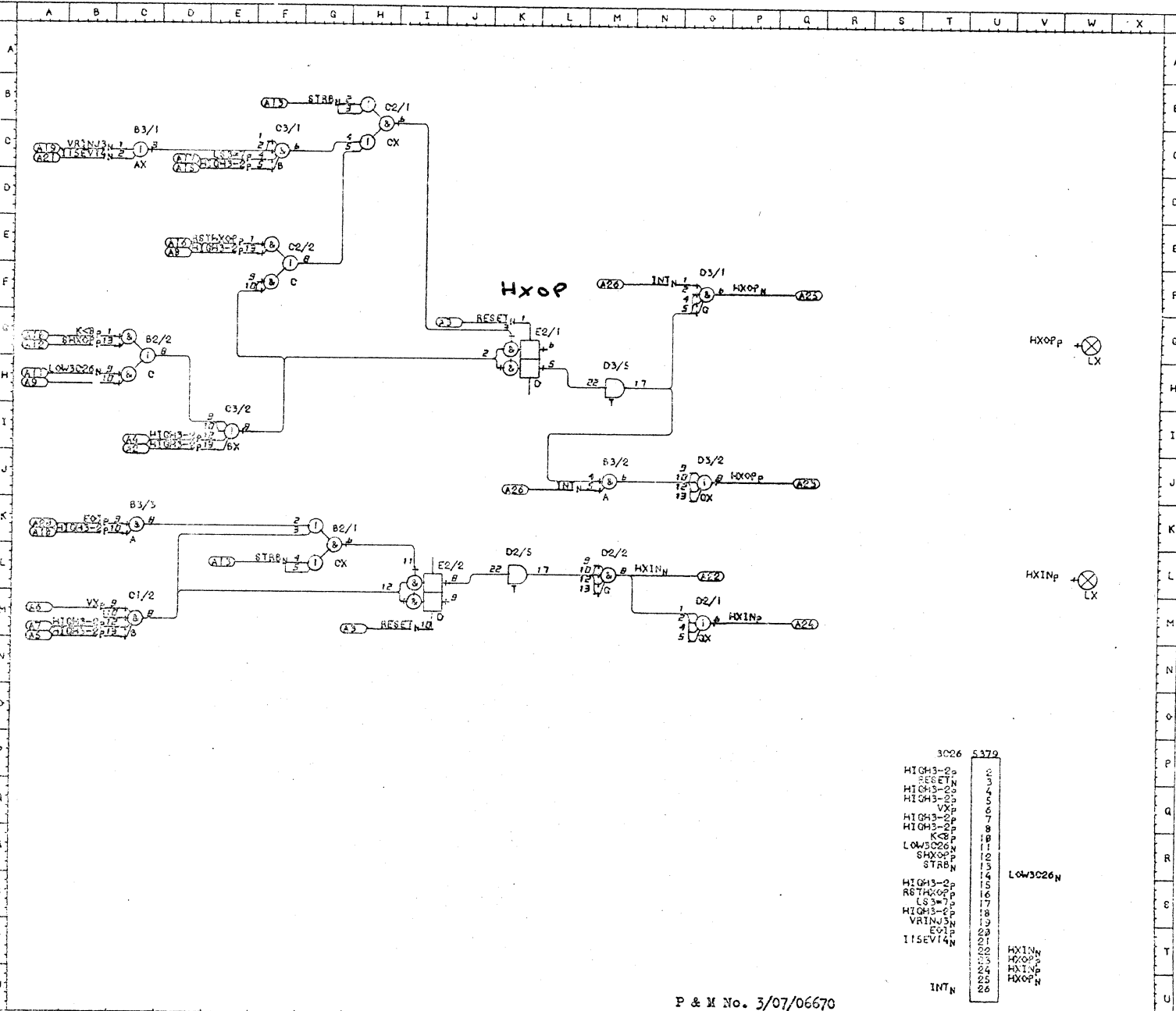
3A8	5379
RN899OVN	2
RESET	3
FOVN	4
EQ-LP	5
EXECN	6
PNM	7
I172P	8
EQZ-CN	9
SOV	10
M23P	11
M24EM23P	12
STRCN	13
HIGH3-0P	15
VI9P	16
HIGH3-0P	17
HIGH3-0P	18
EQZ-CN	19
EQ4-LP	20
COVN	21
	22
	23
	24
	25
	26

MON64N
 DUMYOVp
 MON64p
 DUMYOVN

P & M No. 3/07/06670

26/02/70		DUMYOV & MON64		WGHD1***/0159	
ISSUE: 1	TYPE MOD: 3	TYPE MOD:	TYPE MOD:	TYPE MOD:	TYPE MOD:
ACC: 2767	ECC: 2725	ECC:	ECC:	ECC:	ECC:

E01 41 OK UP
 HIGH3-2 167 OK CM ET
 FC FE UP
 HXIN_N CM 87 91 UP
 ML
 HXIN_N ML 92 94 CM
 UP
 HXOP_P OJ 87 98 91
 94 UP NO 101
 HXOP_N OF 92 93 UP
 IISEV14 22 CC UP
 INT_N 147 MJ OF
 KCB 179 CR UP
 LOW3C26_N UP CG
 LS3=7 139 FC UP
 RESET_N 144 IL KG UP
 STAB_N 148 FC UP
 SHXOP_P 96 CO UP
 STRAB_N 165 GK HB UP
 VRINJ3_N 22 CC UP
 VX_P 52 CM UP



3026	5370	
HIGH3-2	2	
RESET _N	3	
HIGH3-2	4	
HIGH3-2	5	
VX _P	6	
HIGH3-2	7	
HIGH3-2	8	
KCB _P	9	
LOW3C26 _N	10	LOW3C26 _N
SHXOP _P	11	
STRAB _N	12	
	13	
HIGH3-2	14	
RESET _N	15	
LS3=7	16	
HIGH3-2	17	
HIGH3-2	18	
VRINJ3 _N	19	
E01	20	
IISEV14 _N	21	
	22	HXIN _N
	23	HXOP _P
	24	HXIN _P
	25	HXOP _N
	26	

P & M No. 3/07/06670

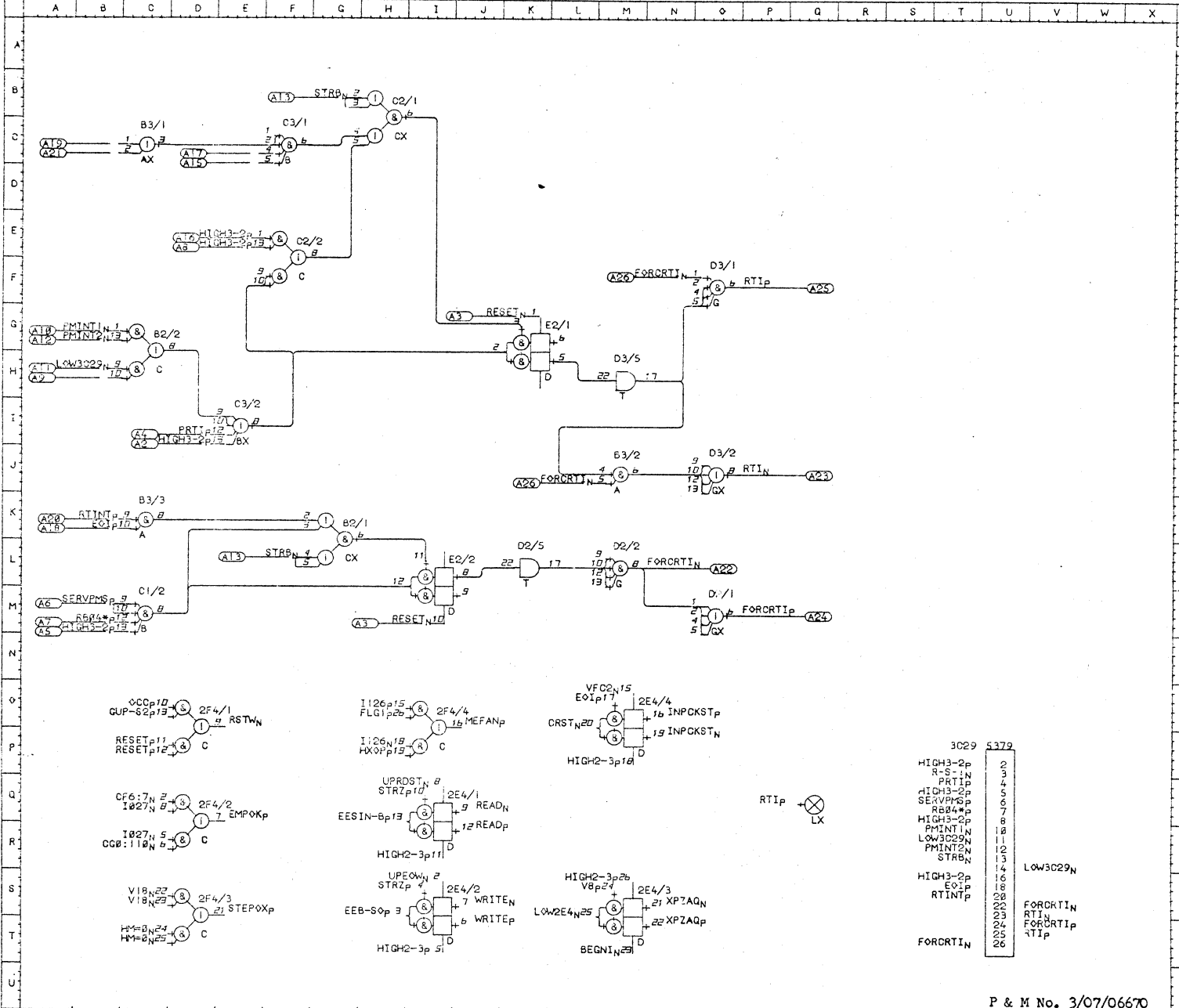
26/02/70 HXOP & HXIN

WGH01***/0160

ISSUE/	TYPE	MOD:	TYPE	MOD:	TYPE	MOD:	TYPE	MOD:	TYPE	MOD:	TYPE	MOD:
#00: 2767	ECC:	2725	ECC:		ECC:		ECC:		ECC:		ECC:	

```

BEGNIN 163 MS
CCP: 1N 124 DQ
CCB: 1N 133 DQ
DAGT 143 MO
EESIN-6p13 IS
EESIN-6p14 IS
EESIN-6p15 IS
EESIN-6p16 IS
EESIN-6p17 IS
EESIN-6p18 IS
EESIN-6p19 IS
EESIN-6p20 IS
EESIN-6p21 IS
EESIN-6p22 IS
EESIN-6p23 IS
EESIN-6p24 IS
EESIN-6p25 IS
EESIN-6p26 IS
EESIN-6p27 IS
EESIN-6p28 IS
EESIN-6p29 IS
EESIN-6p30 IS
EESIN-6p31 IS
EESIN-6p32 IS
EESIN-6p33 IS
EESIN-6p34 IS
EESIN-6p35 IS
EESIN-6p36 IS
EESIN-6p37 IS
EESIN-6p38 IS
EESIN-6p39 IS
EESIN-6p40 IS
EESIN-6p41 IS
EESIN-6p42 IS
EESIN-6p43 IS
EESIN-6p44 IS
EESIN-6p45 IS
EESIN-6p46 IS
EESIN-6p47 IS
EESIN-6p48 IS
EESIN-6p49 IS
EESIN-6p50 IS
EESIN-6p51 IS
EESIN-6p52 IS
EESIN-6p53 IS
EESIN-6p54 IS
EESIN-6p55 IS
EESIN-6p56 IS
EESIN-6p57 IS
EESIN-6p58 IS
EESIN-6p59 IS
EESIN-6p60 IS
EESIN-6p61 IS
EESIN-6p62 IS
EESIN-6p63 IS
EESIN-6p64 IS
EESIN-6p65 IS
EESIN-6p66 IS
EESIN-6p67 IS
EESIN-6p68 IS
EESIN-6p69 IS
EESIN-6p70 IS
EESIN-6p71 IS
EESIN-6p72 IS
EESIN-6p73 IS
EESIN-6p74 IS
EESIN-6p75 IS
EESIN-6p76 IS
EESIN-6p77 IS
EESIN-6p78 IS
EESIN-6p79 IS
EESIN-6p80 IS
EESIN-6p81 IS
EESIN-6p82 IS
EESIN-6p83 IS
EESIN-6p84 IS
EESIN-6p85 IS
EESIN-6p86 IS
EESIN-6p87 IS
EESIN-6p88 IS
EESIN-6p89 IS
EESIN-6p90 IS
EESIN-6p91 IS
EESIN-6p92 IS
EESIN-6p93 IS
EESIN-6p94 IS
EESIN-6p95 IS
EESIN-6p96 IS
EESIN-6p97 IS
EESIN-6p98 IS
EESIN-6p99 IS
EESIN-6p100 IS
  
```

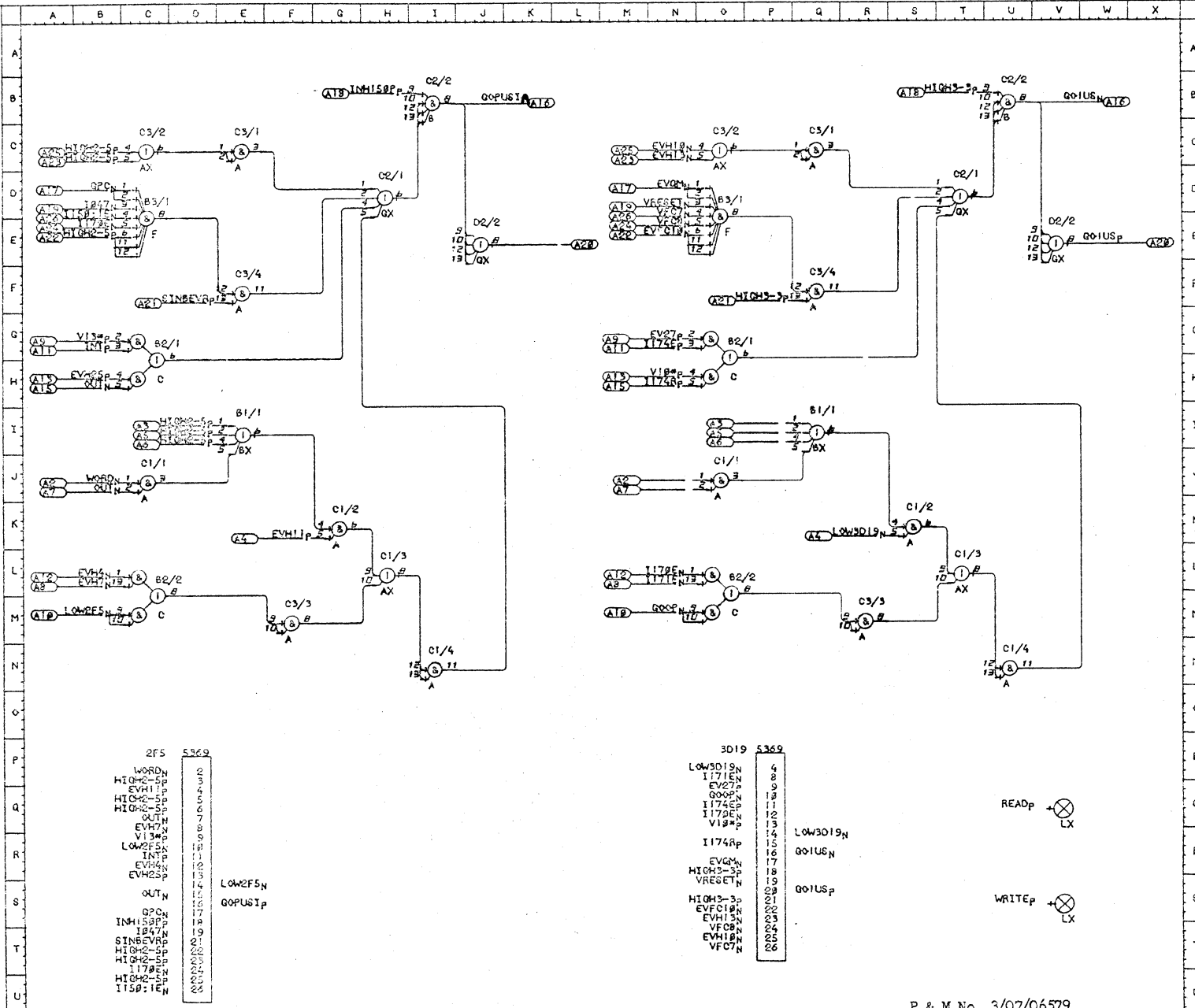


3029	5379
HIGH3-2p	2
R-S-IN	3
PRITIP	4
HIGH3-2p	5
SEVOPS	6
R884p	7
HIGH3-2p	8
LOW3029N	10
PMINTEN	12
STRBN	13
HIGH3-2p	14
EOP	16
RTINTP	18
HIGH3-2p	20
FORCRTIN	23
FORCRTIP	24
RTIP	25
FORCRTIN	26

CCW:0213 05/05/70 RTI & FORCE RTI WGH01***/0161 DATA CCW0213

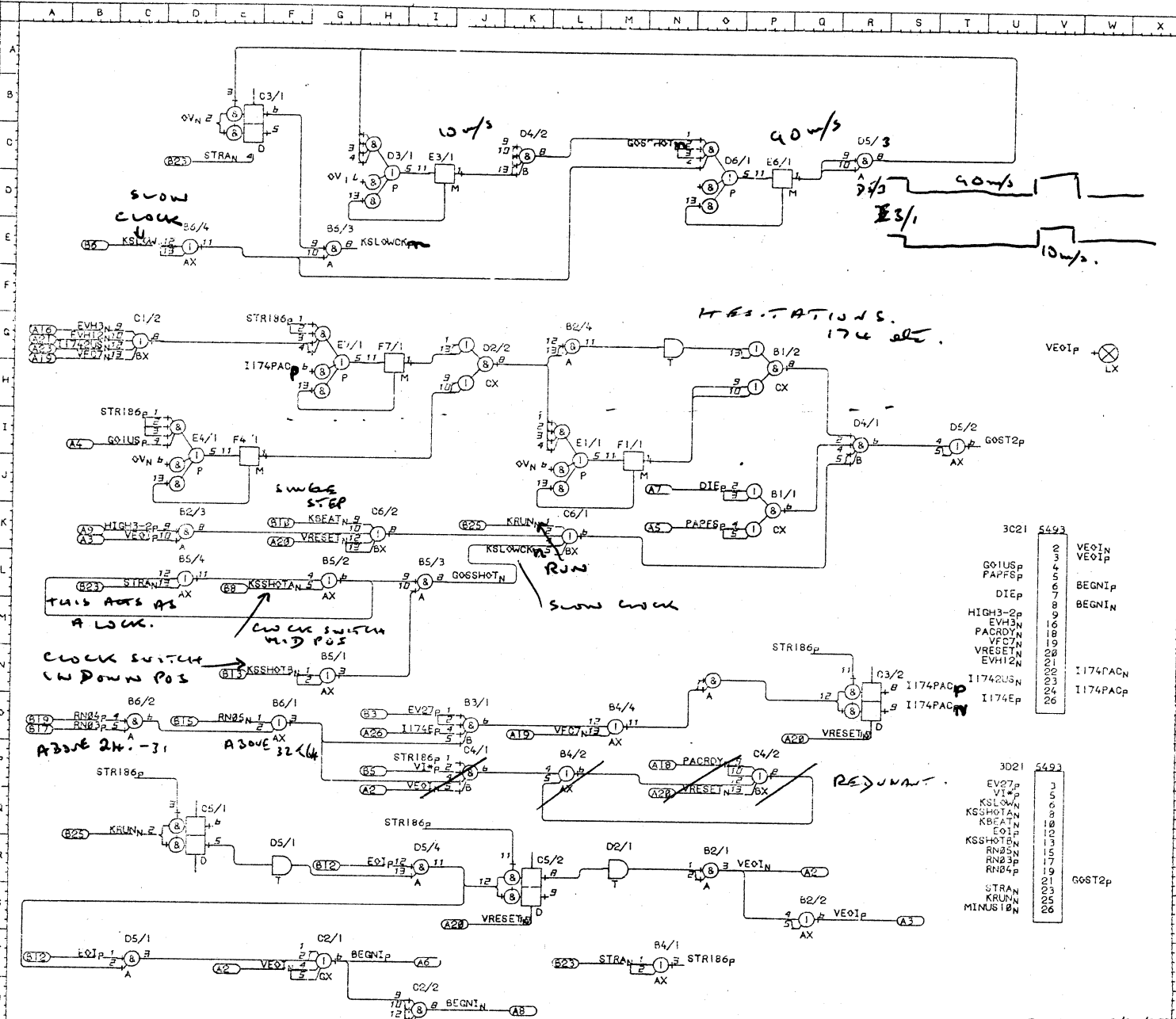
ISSUE:	2	TYPE MOD:	3	TYPE MOD:	TYPE MOD:	TYPE MOD:	TYPE MOD:
ACD:	3017 (ECL 4086)	ECC:	2725	ECC:	ECC:	ECC:	ECC:

EV27P 29 00 PP
 EVFC19N 58 00 PP
 EVH13N 59 00 PP
 EVH13P 54 DP PK
 EVH13P 59 00 PP
 EVH22P 59 00 DP
 EVH4N 42 01 DP
 EVH13N 59 01 DP
 EVH3N 1 00 PP
 GOIUSN VE PP 163
 GOIUSN W8 PP
 GOOPN 9 01 PP
 GOPUS1PK DP 143
 GPCN 135 00 DP
 HIGH2-5P 167 CC DD DP
 ET
 HIGH3-3P 167 PP QF UB
 I047N 123 00 DP
 I159P 1E 135 00 DP
 I174EN 126 00 DL
 I174EN 126 01 PP
 I174EP 126 00 PP
 I174EP 139 00 PP
 INH150P 149 DP 1B
 INTN 147 00 DP
 LOW2F5N DP OL
 LOW3D19N DP SK
 OUTN 266 00 CJ DP
 READP 161 VQ
 SINBEVRP 143 DP EF
 VISAP 139 00 PP
 VISAP 139 00 DP
 VFCTN 57 00 PP
 VFCTN 57 00 PP
 VRS1N 9 00 PP
 W813N 266 00 DP
 WRITEP 161 VS



P & M No. 3/07/06579

BEGNI GT 1 9 21 23
 27 32 37 111 K
 145 147 155
 BEGNI IU 46 47 VK
 DIEP 44 2J K
 GOIP 41 CT IR VO
 EVH12 29 2J VJ
 EVH13 4 05 VK
 EVH3 46 05 VK
 GOIUS 152 D VK
 GOST2P 5493 VP
 HIGH3-2P 167 DK VK
 I1742UGN 148 CG VK
 I174E 126 JO VK
 I174P 35493 VK
 I174PACN 5493 VK
 NBEATN 13 HK VP 298
 KRUNN 13 DQ LK VP
 298 294
 KLOWN 13 DE VP 293
 KSSHOTAN 1 DL VP
 KSSHOTAN 1 GN VP
 MINUS1B 1 VP 164
 203 265
 PACROV 288 PP VK
 PAFPS 288 PJ VK
 RN23P 228 CC VP
 RN23N 228 CC VP
 RN234 228 FO VP
 STRAN 165 DC DL NT
 VP
 VE01P 45 QS DK VK
 VG
 VE01 0R OR 89 GT
 VE01 05 VK
 VFC0N 37 CG MG VK
 VI 139 UP VP
 VRESET 49 HK JS PP
 GO VK



3021	5493
GOIUS P	2
PAFPS P	3
DIEP	4
BEGNI P	5
BEGNI N	6
HIGH3-2P	7
EVH12 N	8
PACROV N	9
VFC0N N	10
VRESET N	11
EVH12 N	12
I174PACN	13
I1742UGN	14
I174PACN	15
I174E P	16

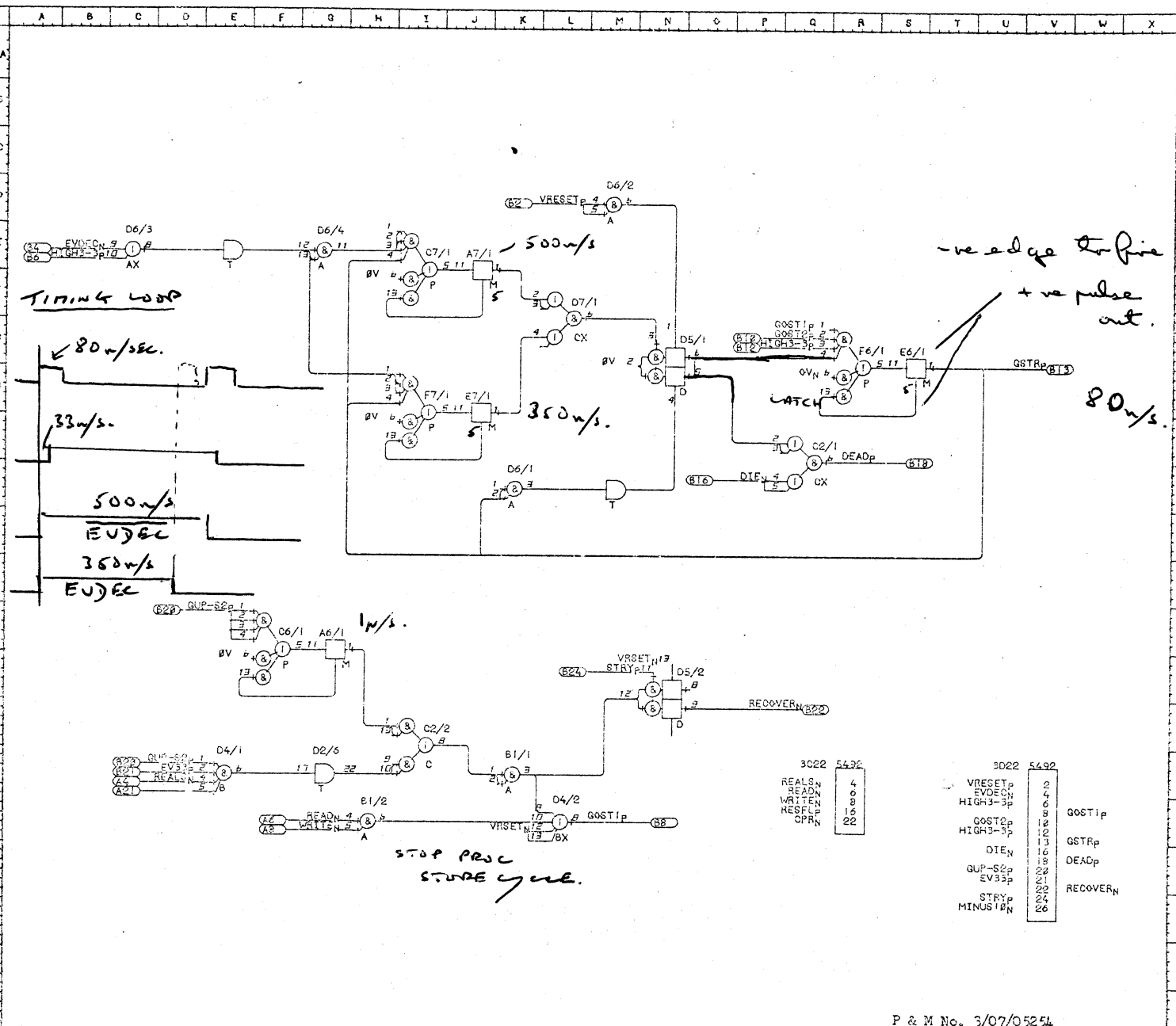
3021	5493
EV07P	3
VI P	5
KSLOWN	6
KSSHOTAN	7
KBEATN	8
EO1 N	10
KSSHOTN	13
RN23N	15
RN23P	17
RN234 P	19
201	21
203	22
200	23
STRAN	24
KRUNN	25
MINUS1B N	26

CCW:0210 05/05/70 STROBE GEN CONTROL P & M No. 3/07/05026

ISSUE: 2	TYPE MOD: 5	TYPE MOD:	TYPE MOD:	TYPE MOD:	WGHO1***/0163	DATA CCW0213
ACC: 3017 (ECC 4086)	ECC: 3387	ECC:	ECC:	ECC:	TYPE MOD:	TYPE MOD:

OPRN 30 RP
 DEADP 01 VP 209
 DLEN 44 GI VP
 EV35P 33 EP VP
 EV35EN 0 CE VP
 COST2P 10 VP 5492
 COST2P 5492 HQ VP
 GSTRP 14 VP 165
 GUP-S2P 276 EP VP
 HIGH3-3P 167 DE RP VP
 MINUS10N 161 VP 163
 253 265
 READN 04 HQ RP
 REALSN 276 EP RP
 RECOVER 00 68 VP 276
 RESFLP 32 RP
 STRYP 165 NN VP
 VRESETP 49 MD VP
 WRITEN 161 HQ RP

COST 2 P
 163.
 RG
 GSTRP
 D5/1 set of p.w.s
 A7/1 o/p
 E7/1 o/p



3022	5492		
REALSN	4		
READN	0		
WRITEN	8		
RESFLP	18		
OPRN	22		

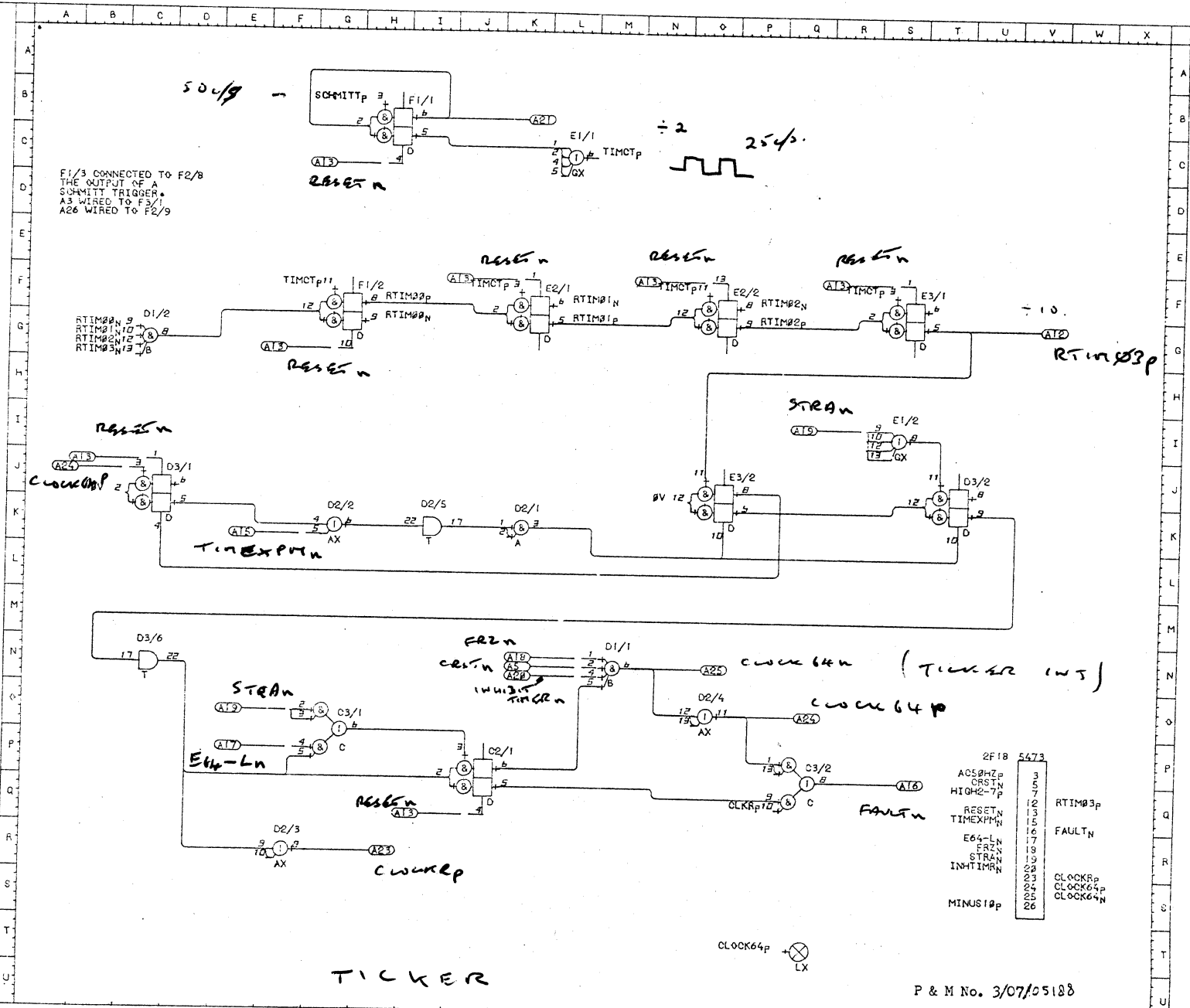
3022	5492		
VRESETP	2		
EV35EN	4		
HIGH3-3P	6		
	8	GOST1P	
	10		
	12		
	13	GSTRP	
	16		
	18	DEADP	
	20		
	22	RECOVER	
	24		
	25		
	26		

P & M No. 3/07/05254

26/02/70		STROBE GENERATOR		WGHD1***/0164	
ISSUE: 1	TYPE MOD: 6	TYPE MOD:	TYPE MOD:	TYPE MOD:	TYPE MOD:
ACD: 2767	ECC: 3245	ECC:	ECC:	ECC:	ECC:

WG18

- AC50HZP VP 167
- CLOCK64P VP 260
- CLOCKR6P VP 168
- CRSTN VP 143
- E64-LN VP 77
- FAULTN VP 256
- FRZN VP 143
- HIGH2-7P VP 167
- INH-TIMR VP 167
- MINUS10P VP 167
- PLENAP DE
- RESETN VP 144
- RTIM03P VP 165
- STRAN VP 165
- TIMEXP1N VP 168



TICKER

P & M No. 3/07/05188

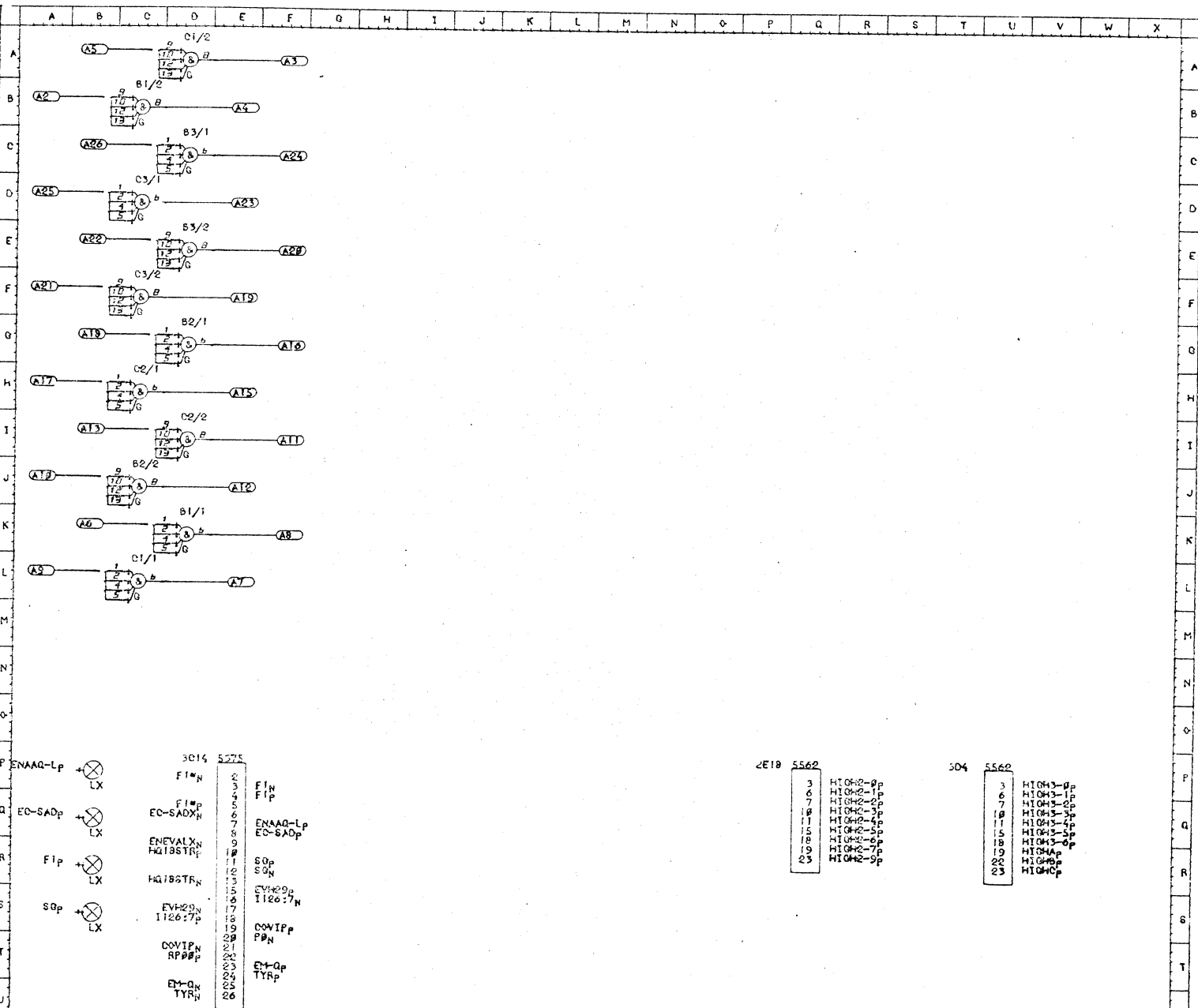
26/02/70

REAL CLOCK LOGIC

WG181***/0166

ISSUE: 1	TYPE M00: 4	TYPE M00:	TYPE M00:	TYPE M00:	TYPE M00:	TYPE M00:
ACC: 2767	ECC: 2725	ECC:	ECC:	ECC:	ECC:	ECC:

COVIP_N EP 182
 COVIP_N EP 67 92 80
 EC-SAD_N EP 201 292
 EP 293
 ENAAG-Lp EP 198
 183 181 182 183
 184
 ENEVALX_N EP 73
 EVH29_N EP 56 68 69
 EVH29_N EP 48 EP
 FIP EP 78 8R 119
 122 123 124 125
 126 127
 FIN EP 61 94 96
 141 209
 FIP_N 118 EP
 FIP_N 116 EP
 HIGH2-PUP 5 6 9 13
 15 16 18 19 24
 39 41
 HIGH2-1-PUP 15 16 18
 19 23 24 30 41
 44 49 155 149
 153 157 169
 HIGH2-2-PUP 6 16 41
 43 45 46 137
 159 143 154 155
 156
 HIGH2-3-PUP 17 42 48
 63 71 95
 152 143 181
 HIGH2-4-PUP 17 22 48
 68 56 119 129
 121 122 123 124
 125 126 141 163
 HIGH2-5-PUP 69 62 68
 63 89 92 96
 136 127 143 162
 HIGH2-6-PUP 3 12 48
 58 42 144 145
 168
 HIGH2-7-PUP 166 269
 270 278 279
 HIGH2-8-PUP
 HIGH3-PUP 1 2 8 10
 11 17 35 38 39
 48 49 135 140
 158 159
 HIGH3-1-PUP 15 17 25
 26 27 28 29 31
 36 128
 HIGH3-2-PUP 48 60 116
 118 141 149 158
 160 161 163 165
 HIGH3-3-PUP 22 60 77
 89 103 184 187
 191 113 116 140
 143 162 164
 HIGH3-4-PUP 22 27 98
 99 108 114
 HIGH3-5-PUP 64 78 86
 97 97 99 100
 101 105 186 187
 HIGH2-6-PUP 44 59 74
 75 76 102 146
 150 152
 HIGH4-P UP 181 192
 183 184 185 186
 187
 HIGH4-P UP 170 171
 173 174 177 178
 180 181 182 183
 184 185 186 214
 209
 HIGH2-P UP 171 173
 174 175 182 208
 203 257 268
 HQ18STR_N 260 EP
 HQ18STR_N 260 EP
 I126:7_N EP
 I126:7_N EP 91 140
 PPN EP 28 78 139
 150
 RP00P 215 EP 59 61
 S0P EP 71
 S0P 63 82 93 85
 SQN EP 10 43 106
 115
 TYR_N EP 268
 TYR_N 252 EP



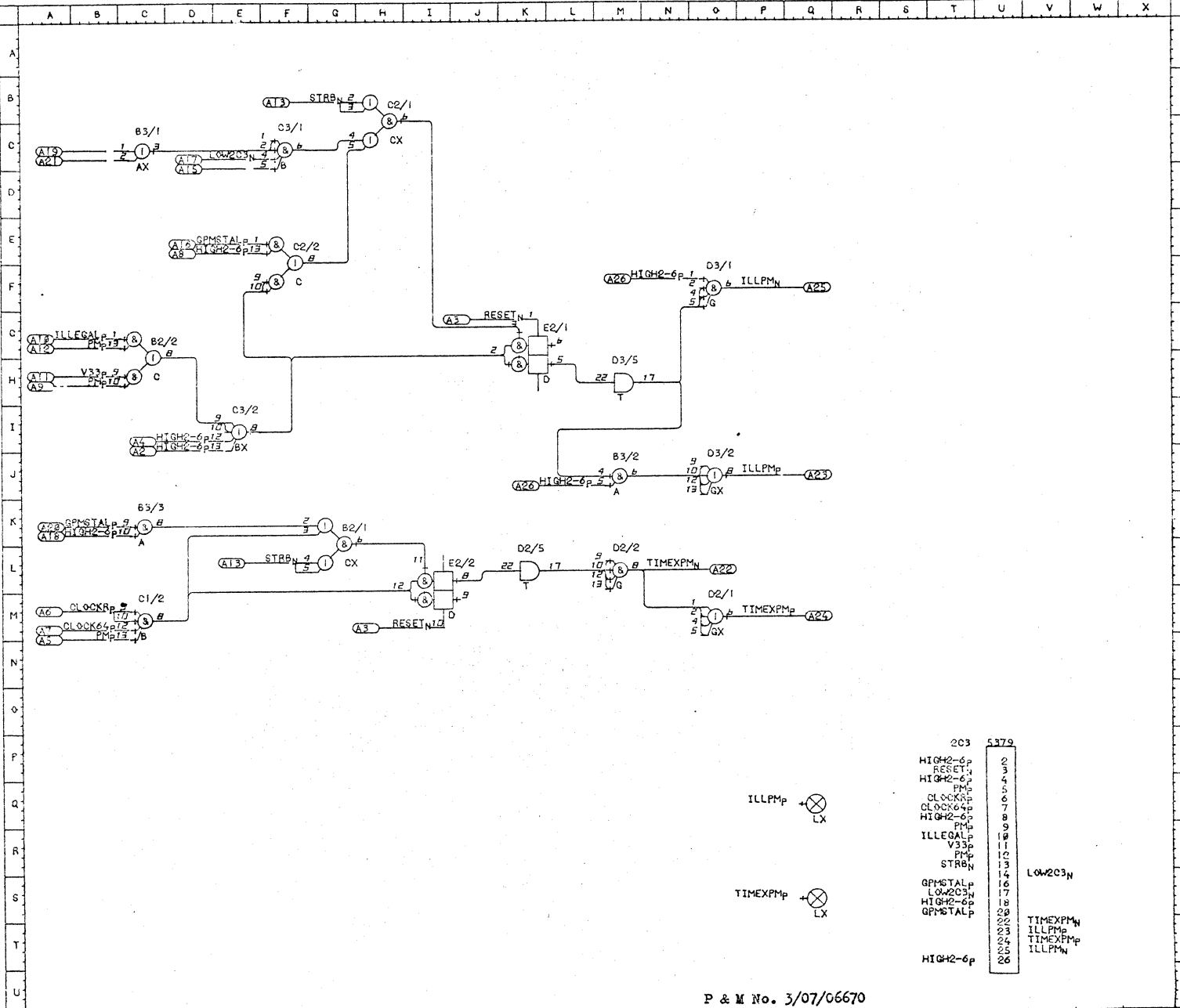
P	ENAAQ-Lp	+	LX	3014	5575	FIN	3	FIN	3
Q	EC-SADp	+	LX			FIP	4	FIP	4
R	FIP	+	LX			ENAAQ-Lp	5	ENAAQ-Lp	5
S	S0p	+	LX			EC-SADp	6	EC-SADp	6
T						S0P	7	S0P	7
U						SQN	8	SQN	8
						EVH29 _N	9	EVH29 _N	9
						I126:7 _N	10	I126:7 _N	10
						HQ18STR _N	11	HQ18STR _N	11
						COVIP _N	12	COVIP _N	12
						RP00P	13	RP00P	13
						TYR _N	14	TYR _N	14
							15		15
							16		16
							17		17
							18		18
							19		19
							20		20
							21		21
							22		22
							23		23
							24		24
							25		25
							26		26

2E10	5562	3	HIGH2-0p	3	HIGH3-0p
		6	HIGH2-1p	6	HIGH3-1p
		7	HIGH2-2p	7	HIGH3-2p
		10	HIGH2-3p	10	HIGH3-3p
		11	HIGH2-4p	11	HIGH3-4p
		15	HIGH2-5p	15	HIGH3-5p
		18	HIGH2-6p	18	HIGH3-6p
		19	HIGH2-7p	19	HIGH3-7p
		23	HIGH2-9p	23	HIGH3-9p

CCW:0199 15/05/70 MISC SIGNALS 5375 - P & M No 3/07/06647 5562 - P & M 3/07/06600 WGH01***/0167 DATA 00M0213

ISSUE: 2	TYPE MOD: 5562-00	TYPE MOD: 5375-00	TYPE MOD:	TYPE MOD:	TYPE MOD:	TYPE MOD:
ACC: 3017 (ECC 4086)	ECC:	ECC:	ECC:	ECC:	ECC:	ECC:

CLOCK64p166 CM UP
 CLOCKR166 CM UP
 GPMSTALp1 CK FE UP
 169 247
 HIGH2-6p167 CK EI FE
 M OF UP
 ILLEGALp135 CG UP
 ILLPMp 0J GD UP
 ILLPMp OF 22 49 UP
 143 247
 Low2C3N UP FC
 PMp 145 CG CM UP
 RESET 144 IL KG UP
 STRBN 105 OK HS UP
 TIMEXPMP 02 QS UP
 247
 TIMEXPML 22 48 CM
 UP 143 166
 V33p 54 CG UP

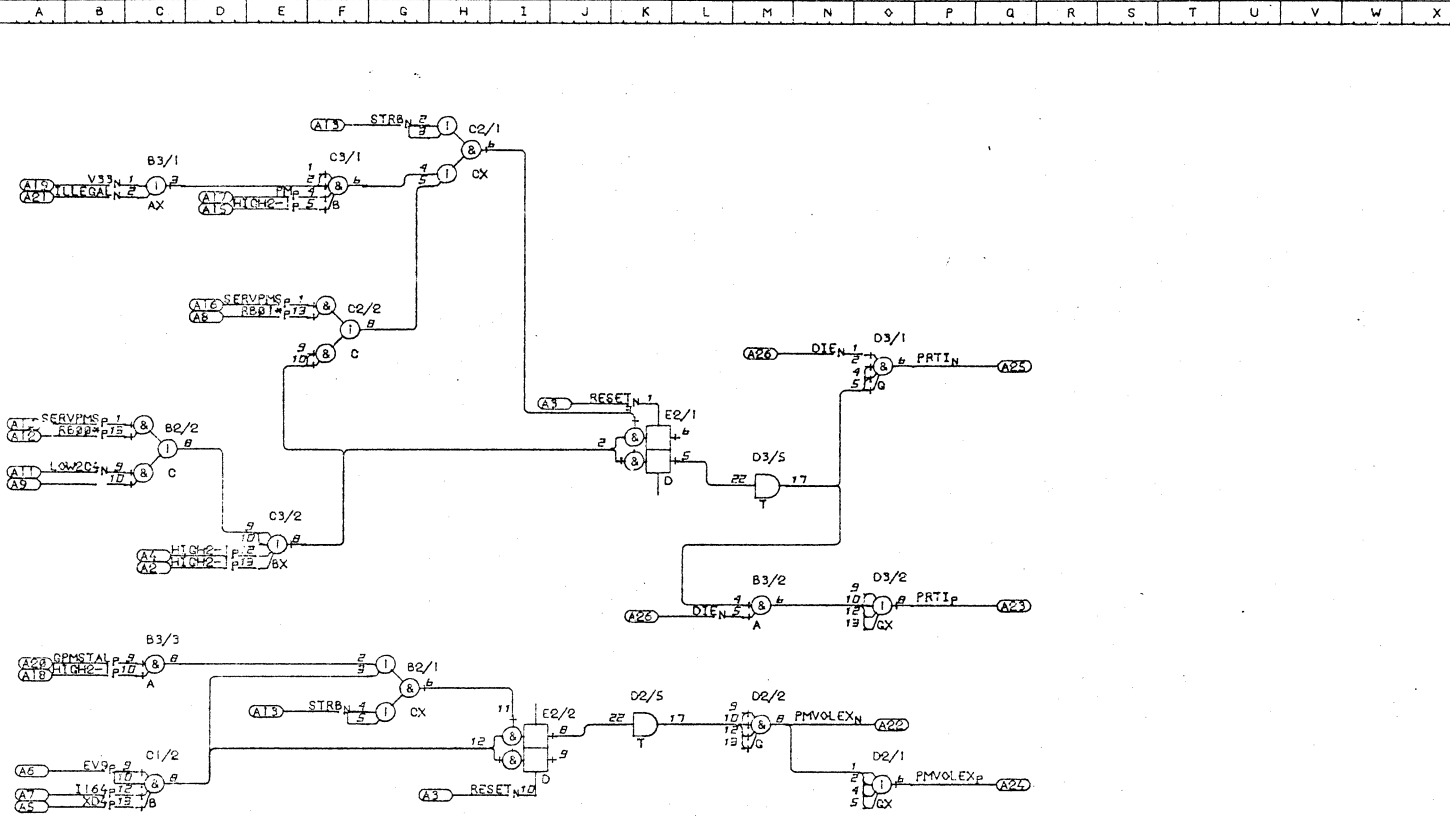


203	5379
HIGH2-6p	2
RESET	3
HIGH2-6p	4
PM	5
CLOCKR	6
CLOCK64p	7
HIGH2-6p	8
PM	9
ILLEGALp	10
V33p	11
PM	12
STRBN	13
	14
GPMSTALp	16
Low2C3N	17
HIGH2-6p	18
GPMSTALp	20
	22
	23
	24
	25
	26

P & M No. 3/07/06670

26/02/70		ILLPM & TIMEXPM		WGHO1***/0168	
ISSUE: 1	TYPE MOD: 3	TYPE MOD:	TYPE MOD:	TYPE MOD:	TYPE MOD:
ACD: 2767	ECC: 2725	ECC:	ECC:	ECC:	ECC:

DIEN 44 MJ OF UP
 EV9p 12 CM UP
 GPMSTAL PCJ CK UP 168
 247
 HIGH2-1p 167 CK EI FC
 UP
 I164p 148 CM UP
 ILLERALN 135 CC UP
 LOW204N 09
 PMP 145 FC UP
 PMVOLEXp 04 00 UP 247
 PMVOLEXp 48 CM UP
 143
 PRTIp 0J 87 91 92
 94 06 UP 126
 143 161
 PRTIp OF UP
 R000p 251 CC UP
 R001p 251 FE UP
 RESETN 144 IL R0 UP
 SERVPMSP 141 CC FE UP
 STRBN 165 QK H0 UP
 V33N 54 CC UP
 XD4p 118 CM UP

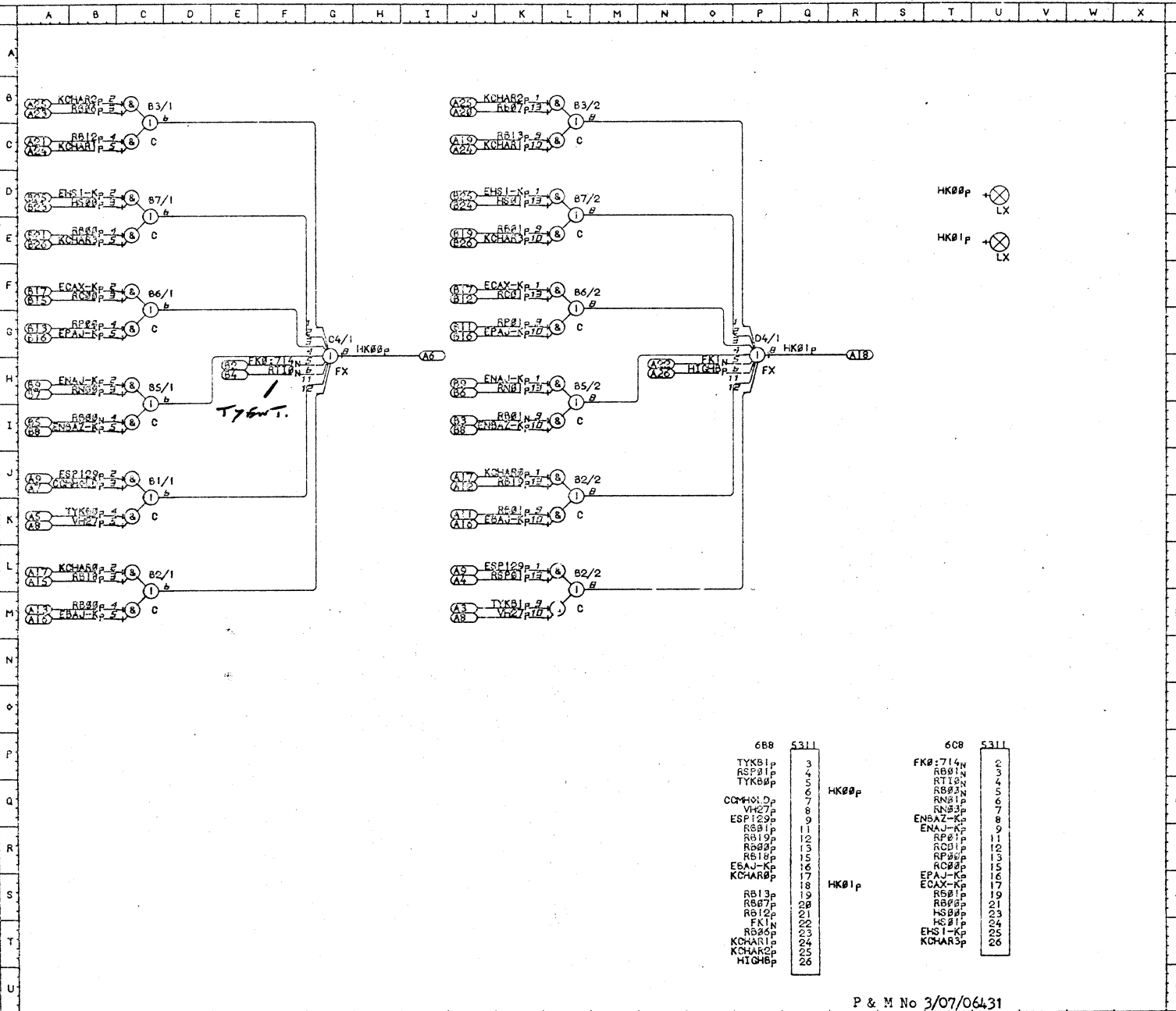


204	5379
HIGH2-1p	2
RESETN	3
HIGH2-1p	4
XD4p	5
EV9p	6
I164p	7
R001p	8
SERVPMSP	10
LOW204N	11
R000p	12
STRBN	13
HIGH2-1p	14
SERVPMSP	16
PMP	17
HIGH2-1p	18
V33N	19
GPMSTALp	20
ILLERALN	21
DIEN	22
	23
	24
	25
	26

P & M No. 3/07/06670

28/02/70		PRTI & PMVOLEX		WGH01***/0169	
ISSUE: 1	TYPE MOD: 3	TYPE MOD:	TYPE MOD:	TYPE MOD:	TYPE MOD:
ADD: 2767	ECC: 2725	ECC:	ECC:	ECC:	ECC:

CCHOLDp 141 CJ QP
 EBAJ-Kp 62 62 CL LJ
 QP 171 172 173
 ECAX-Kp 67 67 CF LF
 UP 171 172 173
 174 175 176 177
 178
 EHS1-Kp 248 CD LD UP
 171 172 173 174
 175 248
 ENAJ-Kp 64 64 CH LH
 UP 171 172 173
 ENBAZ-Kp 112 CH LH UP
 112 171 172 173
 174 175 176 177
 178
 EPAJ-Kp 66 66 CF LF
 UP 171 172 173
 ESP129p 77 77 CJ LL
 QP 171 172 173
 174 175 176 177
 178
 FK8:714w 68 GG UP 173
 174 175
 FK1p 69 FG CP
 HIGHp 157 FG QP
 171 173 174 177
 178 188 181 182
 183 184 185 186
 214 249
 HK88p 60 QP UD 188
 253 255 273
 HK81p 185 FG UE 179
 HS88p 60 UP
 LD UP
 KCHAR2p 223 CL LJ QP
 171 172
 KCHAR1p 223 CB LB QP
 171 172
 KCHAR2p 223 CB LB QP
 171 172
 KCHAR3p 223 CD LD UP
 171 172
 RB88p 218 CD CL QP
 UP 218 213
 RB88p 218 CH UP
 213 251
 RB81p 218 LD LJ QP
 UP 218 213
 RB81p 218 LH UP
 213 251
 RB88p 218 CB QP
 173 218 213
 RB87p 218 LB QP
 173 218 213
 RB12p 175 211 213
 RB13p 211 LB QP
 175 211 213
 RB18p 212 CL QP
 177 212 214
 RB19p 212 LJ QP
 178 212 214
 RC88p 225 CF UP
 225 279
 RC81p 225 LF UP
 225 279
 RN88p 228 22 CH UP
 238 228 224 262
 279
 RN81p 228 LH UP
 228 224 262 279
 RP88p 215 CF UP
 167 215 215
 RP81p 215 LF UP
 215
 RSP81p LL QP
 QP UP
 TYK88p 254 CJ QP
 TYK81p 255 LL QP
 VH27p 56 49 55 CJ
 QP 176 171
 172



688	5311	608	5311
TYK81p	3	FK8:714w	2
RSP81p	4	RB81N	3
TYK88p	5	RT18N	4
	6	RB81N	5
CCHOLDp	7	RN83p	6
VH27p	8	ENBAZ-Kp	8
ESP129p	9	ENAJ-Kp	9
RB81p	11	RP81p	11
RB19p	12	RC81p	12
RB88p	13	RP88p	13
RB18p	15	RC88p	15
EBAJ-Kp	16	ENAJ-Kp	17
KCHAR8p	17	EPAJ-Kp	15
	18	ECAX-Kp	17
	19	R813p	19
	20	RB88p	21
	21	HS88p	23
	22	HS81p	24
	23	EHS1-Kp	25
	24	KCHAR1p	26
	25	KCHAR2p	
	26	KCHAR3p	

P & M No 3/07/6431

24/09/69 K HIGHWAY (00-01) WGHO1***/0170

EBAJ-Kp 62 02 CL LJ
 QP 170 172 173
 ECAX-Kp 67 67 LF
 UP 170 172 173
 174 175 176 177
 178

EH51-Kp 243 02 LD UP
 173 172 173 174
 175 248

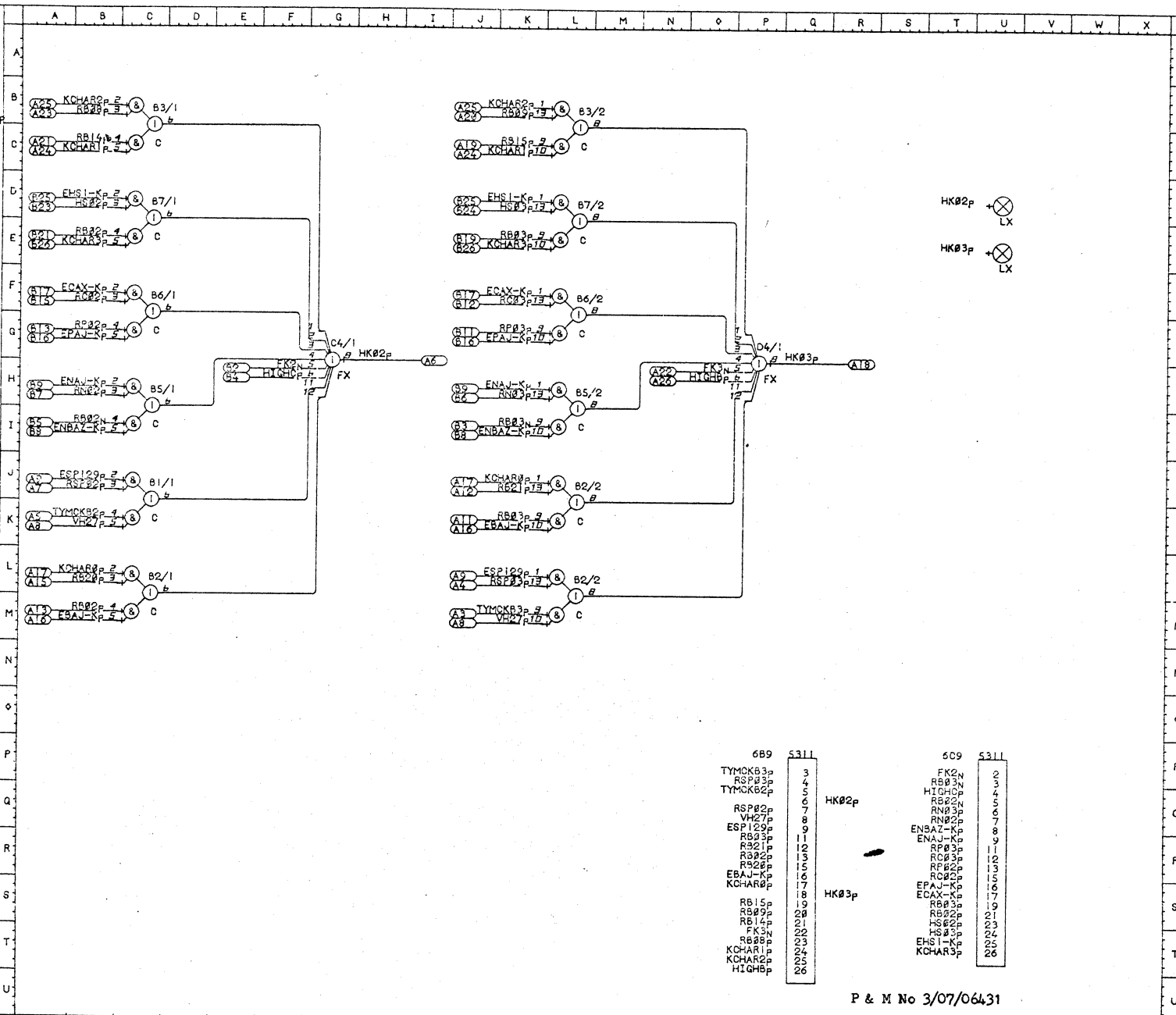
ENAJ-Kp 64 64 CH LH
 UP 170 172 173
 ENBAZ-Kp 112 CH LH UP
 112 170 172 173
 174 175 176 177
 178

EPAJ-Kp 66 66 CF LF
 UP 170 172 173
 ESP129p 77 77 CJ LL
 QP 170 172 173
 174 175 176 177
 178

FK2N 68 00 UP
 FK3N 68 00 QP
 HIGHp 167 00 QP
 170 173 174 177
 178 180 181 182
 183 184 185 186
 214 245

HIGHp 167 00 UP
 173 174 175 180
 200 203 207 208
 HK02p 65 00 UD 179
 188 255 273

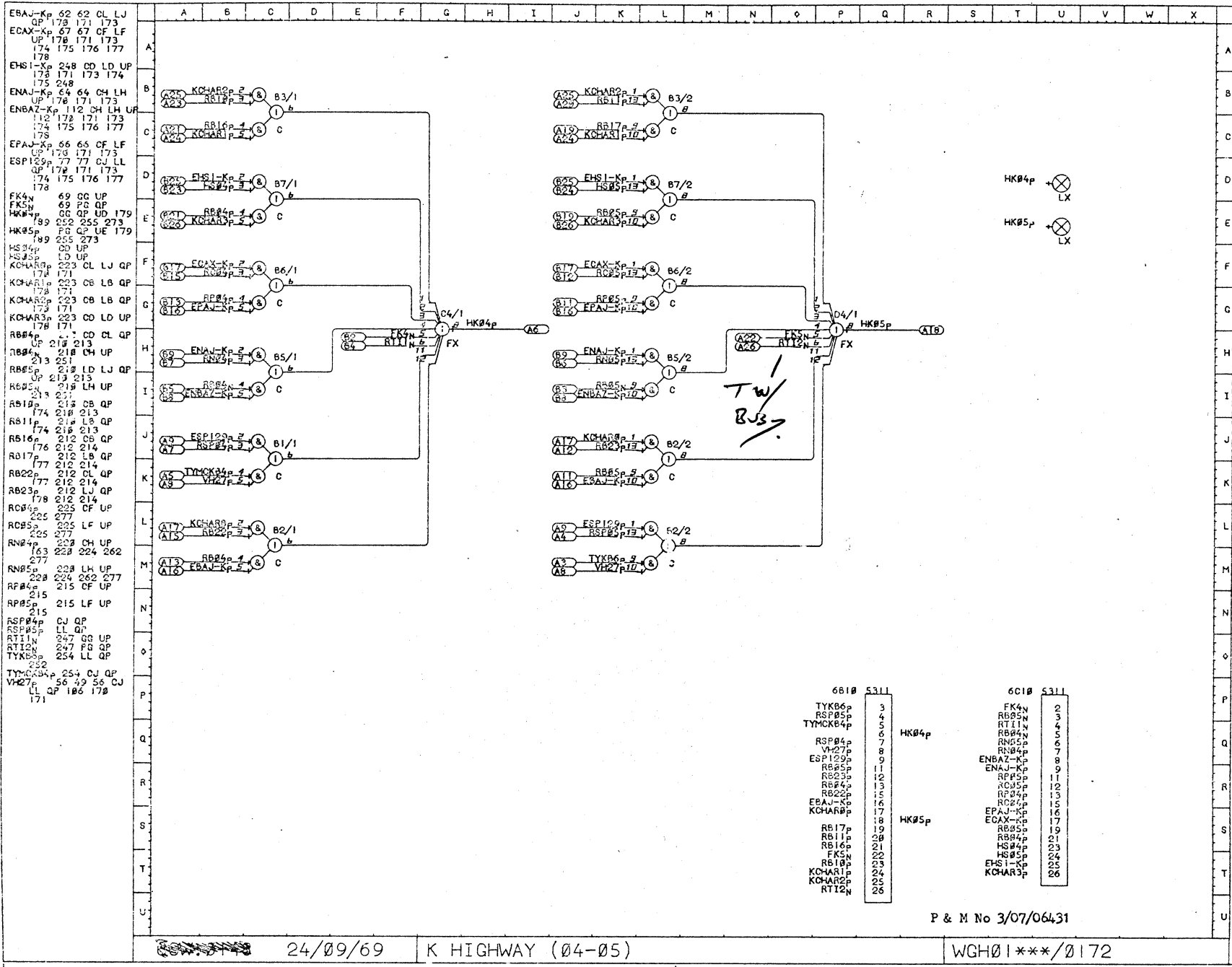
HK03p 00 00 UE 179
 HS02p 68 252 255 273
 00 UP
 HS03p LD UP
 KCHAR0 223 CL LJ QP
 170 172
 KCHAR1 223 06 LB QP
 170 172
 KCHAR2 223 06 LB QP
 170 172
 KCHAR3 223 02 LD UP
 170 172
 RB02p 210 02 CL QP
 UP 210 213
 RB03p 210 02 CH UP
 213 251
 RB03p 210 LD LJ QP
 UP 210 213
 RB03p 210 LH UP
 213 251
 RB02p 210 02 QP
 173 210 213
 RB09p 210 02 QP
 174 210 213
 RB14p 211 02 QP
 175 211 213
 RB15p 211 02 QP
 176 211 213
 RB20p 212 02 QP
 178 212 214
 RB21p 212 02 QP
 176 212 214
 RC02p 225 02 UP
 225 277
 RC03p 225 LF UP
 225 277
 RN02p 220 CH UP
 220 224 262 277
 RN03p 220 LH UP
 163 220 224 262
 277
 RP02p 215 02 UP
 RP03p 215 LF UP
 215
 RSP02p CJ QP
 RSP03p LL QP
 TYMCKB0 254 CJ QP
 TYMCKB3p 254 LL QP
 VH27p 56 49 56 CJ
 LL QP 106 170
 172



HK02p ⊗ LX
 HK03p ⊗ LX

689	5311	609	5311
TYMCKB3p	3	FK2N	2
RS03p	4	RB03N	3
TYMCKB2p	5	HIGHp	4
		RB02p	5
RS02p	6	ENBAZ-Kp	6
VH27p	7	ENAJ-Kp	7
ESP129p	8	RP03p	8
RB03p	9	RB03p	9
RB02p	10	RC03p	10
RB02p	11	RC02p	11
RS02p	12	RC02p	12
EBAJ-Kp	13	RC02p	13
KCHAR0p	14	RC02p	14
	15	EPAJ-Kp	15
	16	ECAX-Kp	16
	17	RB03p	17
	18	RB02p	18
	19	HS02p	19
RB15p	20	HS03p	20
RB09p	21	EH51-Kp	21
RB14p	22	KCHAR3p	22
FK2N	23		
RB03p	24		
KCHAR1p	25		
KCHAR2p	26		
HIGHp	27		

P & M No 3/07/06431



- EBAJ-Kp 62 62 CL LJ
- QP 178 171 173
- ECAX-Kp 67 67 GF LF
- UP 178 171 173
- 174 175 176 177
- 178
- EHSI-Kp 248 OD LD UP
- 178 171 173 174
- 175 248
- ENAJ-Kp 64 64 CH LH
- UP 178 171 173
- ENBAZ-Kp 112 CH LH UP
- 112 178 171 173
- 174 175 176 177
- 178
- EPAJ-Kp 66 66 CF LF
- UP 178 171 173
- ESP129p 77 77 CJ LL
- QP 178 171 173
- 174 175 176 177
- 178
- FK4N 69 GC UP
- FK5N 69 FG QP
- HK4N GC QP UD 179
- HK85p 189 252 255 273
- HK85p FG QP UE 179
- HS34p OD UP
- HS35p LD UP
- KCHAR3p 223 CL LJ QP
- 174 171
- KCHAR1p 223 CB LB QP
- 178 171
- KCHAR2p 223 CB LB QP
- 178 171
- KCHAR3p 223 CO LD UP
- 178 171
- RB84p 218 OD CL QP
- UP 218 213
- RB84p 218 CH UP
- 213 251
- RB85p 218 LD LJ QP
- UP 218 213
- RB85p 218 LH UP
- 213 251
- RB18p 218 CB QP
- 174 218 213
- RB11p 218 LB QP
- 174 218 213
- RB16p 212 CB QP
- 176 212 214
- RB17p 212 LB QP
- 177 212 214
- RB22p 212 CL QP
- 177 212 214
- RB23p 212 LU QP
- 178 212 214
- RC84p 225 CF UP
- 225 277
- RC85p 225 LF UP
- 225 277
- RN84p 228 CH UP
- 163 228 224 262
- 277
- RN85p 228 LH UP
- 228 224 262 277
- RP84p 215 CF UP
- 215
- RP85p 215 LF UP
- 215
- RSP84p CJ QP
- RSP85p LL QP
- RT11p 247 GC UP
- RT12N 247 FG QP
- TYK85p 254 LL QP
- 252
- TYK84p 254 CJ QP
- VH27p 56 49 56 CJ
- LL QP 186 178
- 171

6B10	5311	6C10	5311
TYK86p	3	FK4N	2
RSP85p	4	RB85N	3
TYMCK84p	5	RT11N	4
	6	RB84N	5
	7	RN85p	6
RSP84p	8	RB84p	7
VH27p	9	RN84p	8
ESP129p	10	ENBAZ-Kp	9
RB85p	11	ENAJ-Kp	10
RB23p	12	RP85p	11
RB24p	13	RC85p	12
RB22p	14	RP84p	13
EPAJ-Kp	15	RC84p	14
KCHAR3p	16	EPAJ-Kp	15
	17	ECAX-Kp	16
	18	ECAX-Kp	17
	19	RB85p	18
	20	RB84p	19
	21	RB84p	20
	22	HS84p	21
	23	HS85p	22
	24	HS85p	23
	25	EHSI-Kp	24
	26	KCHAR3p	25
			26

P & M No 3/07/06431

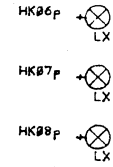
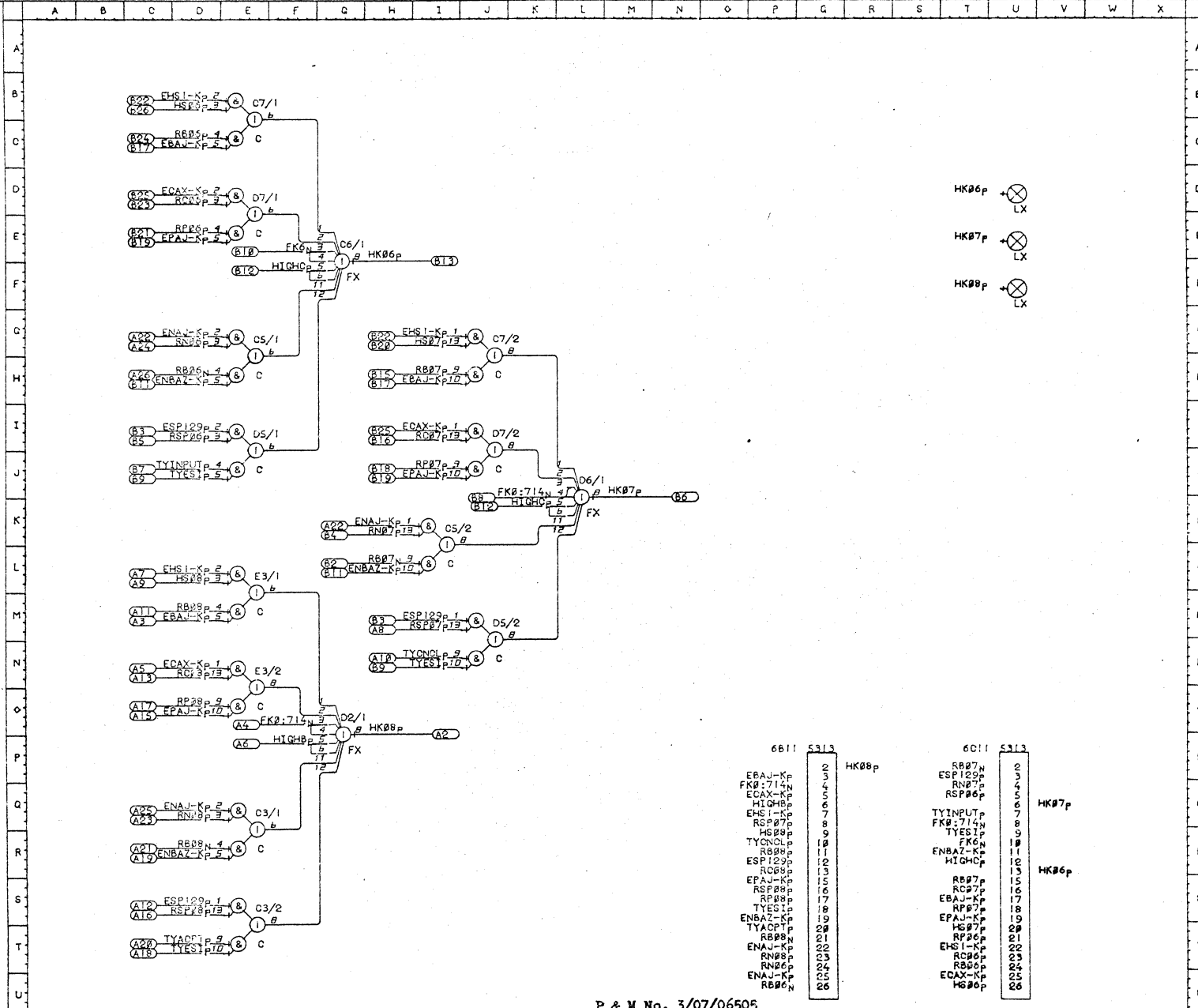
ISSUE: 155
ACD: 2239

PKG MOD: 00
ECC: 2206

24/09/69 K HIGHWAY (04-05)

WGH01***/0172

EBAJ-Kp62 EB EL JG
 QP UP
 ECAX-Kp67 ED EN JI
 QP UP
 EHSI-Kp248 EB EL JG
 QP UP
 ENAJ-Kp64 EG EQ IK
 QP
 ENBAZ-Kp112 EG EQ IK
 QP UP
 EPAJ-Kp66 ED EN JI
 QP UP
 ESP129p77 EI ES JM
 QP UP
 FKØ:714N68 GO LJ QP
 UP
 FK6N 69 GE UP
 HIGHBP 167 GO QP
 HIGHCP 167 GE LJ UP
 HKØ6p GE UD UP 179
 189 273
 HKØ7p LJ UE UP 179
 189 273
 HKØ8p GO QP UF 179
 19Ø 223
 HSØ6p CJ EB UP
 HSØ7p CJ JG UP
 HSØ8p CJ EI QP
 RØØ6p Ø1Ø EB UP
 RØØ7p Ø1Ø EG QP
 RØØ8p Ø1Ø EJ QP
 RØØ9p Ø1Ø EG QP
 RØØ7p Ø1Ø LJ QP
 RØØ7N Ø1Ø EJ QP
 RØØ8p Ø1Ø EJ QP
 RØØ9p Ø1Ø EG QP
 RN27p 22Ø IK UP
 RN28p 22Ø EG QP
 RN28p 216 ED UP
 RPØ7p Ø16 EN QP
 RPØ8p Ø16 EN QP
 RSPØ6p CJ EI UP
 RSPØ7p CJ JM QP
 RSPØ8p CJ ES QP
 TYACPTp256 ES QP
 TYCNCLp256 JM QP
 TYESTp 254 EI ES JM
 QP UP
 TYINPUTp256 EI UP



6611	5313
EBAJ-Kp	2
FKØ:714N	3
ECAX-Kp	4
HIGHBP	6
EHSI-Kp	7
HSØ7p	8
HSØ8p	9
TYCNCLp	1Ø
RØØ8p	11
ESP129p	12
RCØ6p	13
EPAJ-Kp	15
RSPØ8p	16
RPØ8p	17
TYESTp	18
ENBAZ-Kp	19
TYACPTp	2Ø
RBØ8N	21
ENAJ-Kp	22
ENØ8p	23
RNØ6p	24
ENAJ-Kp	25
RBØ6N	26

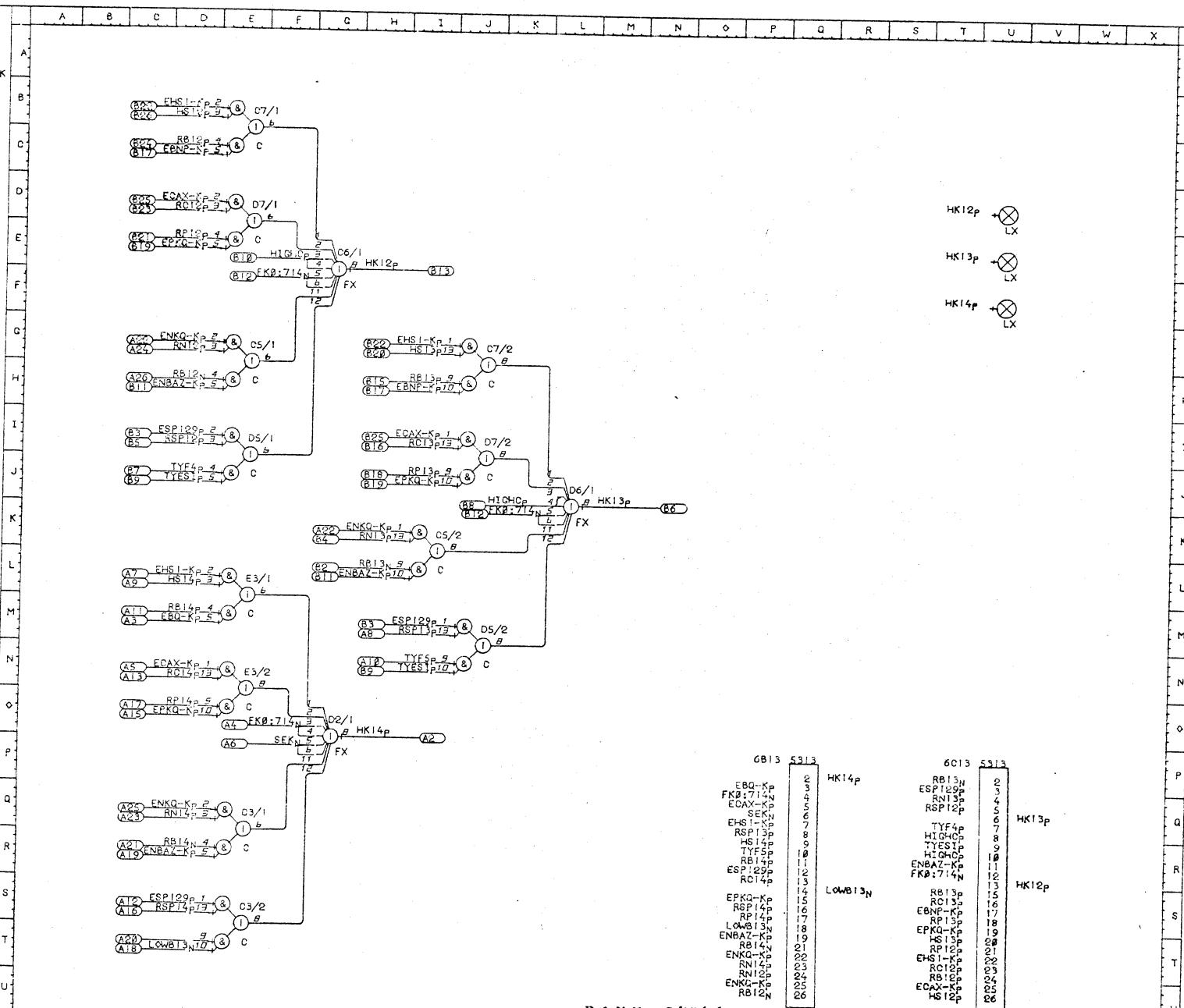
6011	5313
RBØ7N	2
ESP129p	3
RNØ7p	4
RSPØ6p	6
HSØ8p	8
TYINPUTp	7
FKØ:714N	9
TYESTp	10
FK6N	1Ø
ENBAZ-Kp	11
HIGHCP	12
RBØ7p	15
RCØ7p	16
EBAJ-Kp	17
RPØ7p	18
EPAJ-Kp	19
HSØ7p	2Ø
RPØ6p	21
EHSI-Kp	22
RCØ8p	23
RBØ6p	24
ECAX-Kp	25
HSØ6p	26

P & M No. 3/07/06505

QUNA: 28/02/70 K HIGHWAY (Ø6-Ø8) WGHØ1***/Ø173

ISSUE: j	TYPE MOD: 100	T. IPE MOD:	TYPE MOD:	TYPE MOD:	TYPE MOD:
ACC: 2767	ECC:	ECC:	ECC:	ECC:	ECC:

EBNP-Kp62 EB JO UP
 EBQ-Kp 62 EL QP
 ECAX-Kp67 ED EN JI
 GP UP
 EHSI-Kp248 EB EL JQ
 GP UP
 ENBAZ-Kp112 EG EQ IK
 GP UP
 ENKQ-Kp64 EG EQ IK
 GP
 EPKQ-Kp66 ED EN JI
 GP UP
 ESP129p77 EI ES JM
 GP UP
 FKQ:714N 68 GE GO LJ
 GP UP
 HIGHQp 167 GE LJ UP
 HK12p GE UO UP 179
 19
 HK13p LJ UE UP 179
 19
 HK14p GO QP UF 179
 19
 HS12p C3 EB UP
 HS13p C3 JO UP
 HS14p C3 EL QP
 LOWB13N OP ES
 RB12p 211 EB UP
 RB13N 211 JO QP
 RB14N 211 JO QP
 RB13X 211 IK UP
 RB14P 211 EL QP
 RC12N 225 ED QP
 RC13P 225 JI UP
 RC14P 225 EN QP
 RN12p 221 EK QP
 RN13P 221 IK QP
 RN14p 221 EQ QP
 RP12p 217 ED UP
 RP13p 217 JI UP
 RP14p 217 EN QP
 RSP12p C3 EI UP
 RSP13p C3 JI QP
 RSP14p C3 ES QP
 SEKp
 TYF51p 254 EI JM UP
 TYF4p 256 EI UP
 TYF5p 256 JM QP



HK12p \otimes LX
 HK13p \otimes LX
 HK14p \otimes LX

GB13 5313		6C13 5313	
EBQ-Kp	2	RB13N	2
FKQ:714N	3	ESP129p	3
ECAX-Kp	4	RNI3p	4
ENBAZ-Kp	5	RSP12p	5
SEK	6	TYF4p	6
EHSI-Kp	7	HIGHQp	7
RSP13p	8	TYF5p	8
HS14p	9	HIGHQp	9
TYF5p	10	ENBAZ-Kp	10
RB14p	11	FKQ:714N	11
ESP129p	12	RC14p	12
RC14p	13	LOWB13N	13
EPKQ-Kp	14	RB13p	14
RSP14p	15	RC13p	15
RP14p	16	ENBAZ-Kp	16
LOWB13N	17	EPKQ-Kp	17
ENBAZ-Kp	18	HS13p	18
ENKQ-Kp	19	RSP12p	19
RB14p	20	EHSI-Kp	20
RNI4p	21	RC12p	21
RNI2p	22	RB12p	22
ENKQ-Kp	23	ECAX-Kp	23
RB12N	24	HS12p	24
	25		25
	26		26

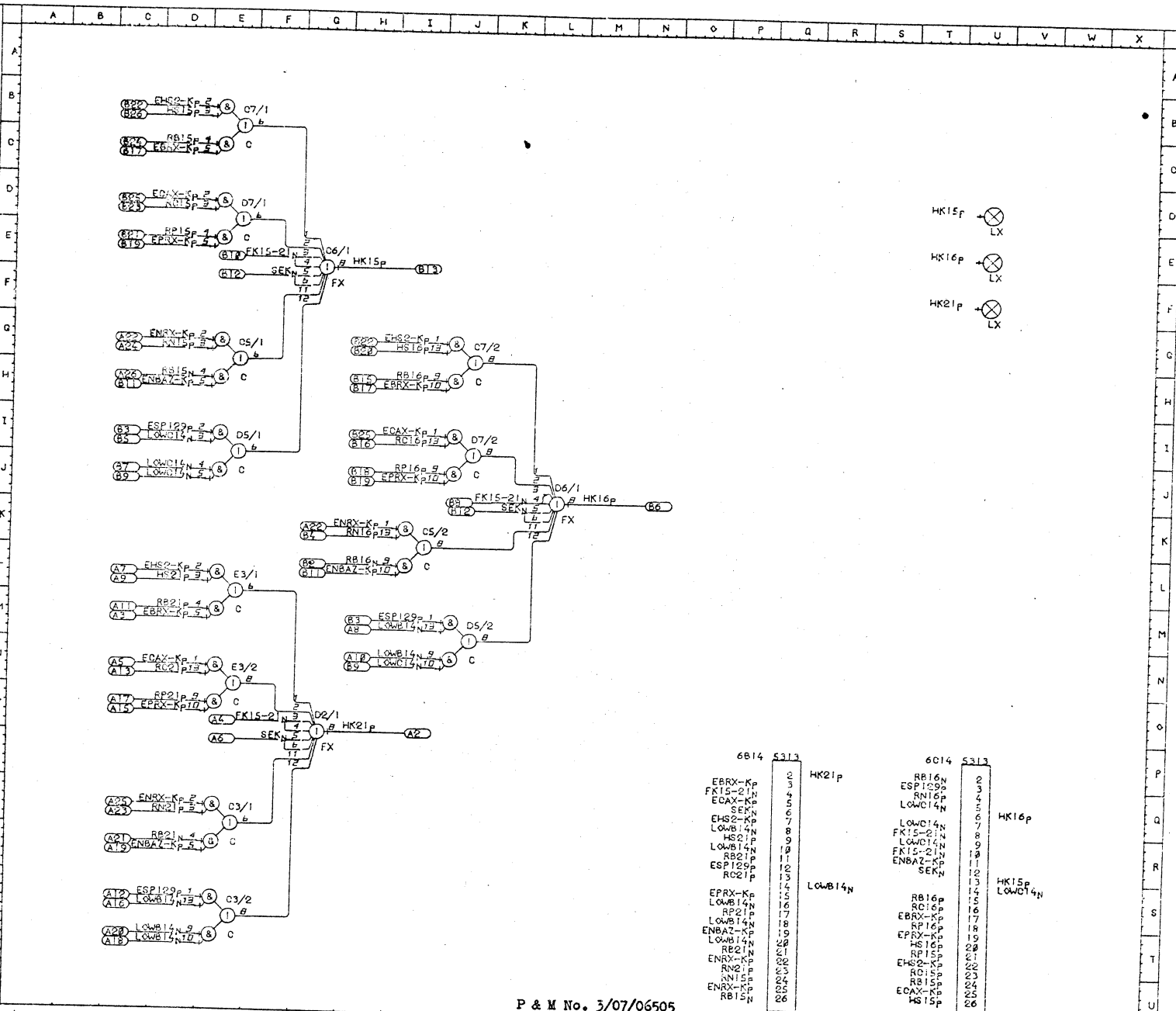
28/02/70 K HIGHWAY (12-14)

P & M No. 3/07/06505

WGHD1***/0175

ISSUE: 1	TYPE MOD: 00	TYPE MOD: 00	TYPE MOD: 00	TYPE MOD: 00	TYPE MOD: 00	TYPE MOD: 00
AGD: 2767	ECC: 00	ECC: 00	ECC: 00	ECC: 00	ECC: 00	ECC: 00

EBRX-Kp62 EB EL JG
 QP UP
 ECAX-Kp67 ED EN JI
 QP UP
 EHS2-Kp141 EB EL JG
 QP UP
 ENBAZ-Kp112 EG EQ IK
 QP UP
 ENRX-Kp64 EG EQ IK
 QP UP
 EPRX-Kp66 ED EN JI
 QP UP
 ESP129p77 EI ES JM
 QP UP
 FK15-21N69 GE QO LJ
 QP UP
 HK15p GE UD UP 179
 QP UP
 HK16p LJ UE UP 179
 QP UP
 HK21p QO QP UF 179
 QP UP
 HS15p CJ EB UP
 QP UP
 HS16p CJ JG UP
 QP UP
 HS21p CJ EL QP
 QP UP
 LOWB14N OP ES JM
 QP UP
 LOWC14N QP EI ES JM
 QP UP
 RB15N 0111 EB UP
 QP UP
 RB16p 0102 JG QP
 QP UP
 RB16N 0103 JG QP
 QP UP
 RB21N 0102 EG QP
 QP UP
 RB21p 0102 EG QP
 QP UP
 RC15p 0205 EG QP
 QP UP
 RC16p 0205 EG QP
 QP UP
 RC21p 0205 EG QP
 QP UP
 RN15p 0201 EG QP
 QP UP
 RN16p 0201 EG QP
 QP UP
 RN21p 0201 EG QP
 QP UP
 RP15p 0117 EG QP
 QP UP
 RP16p 0117 EG QP
 QP UP
 RP21p 0118 EG QP
 QP UP
 SEKN 11 QP LJ
 QP UP

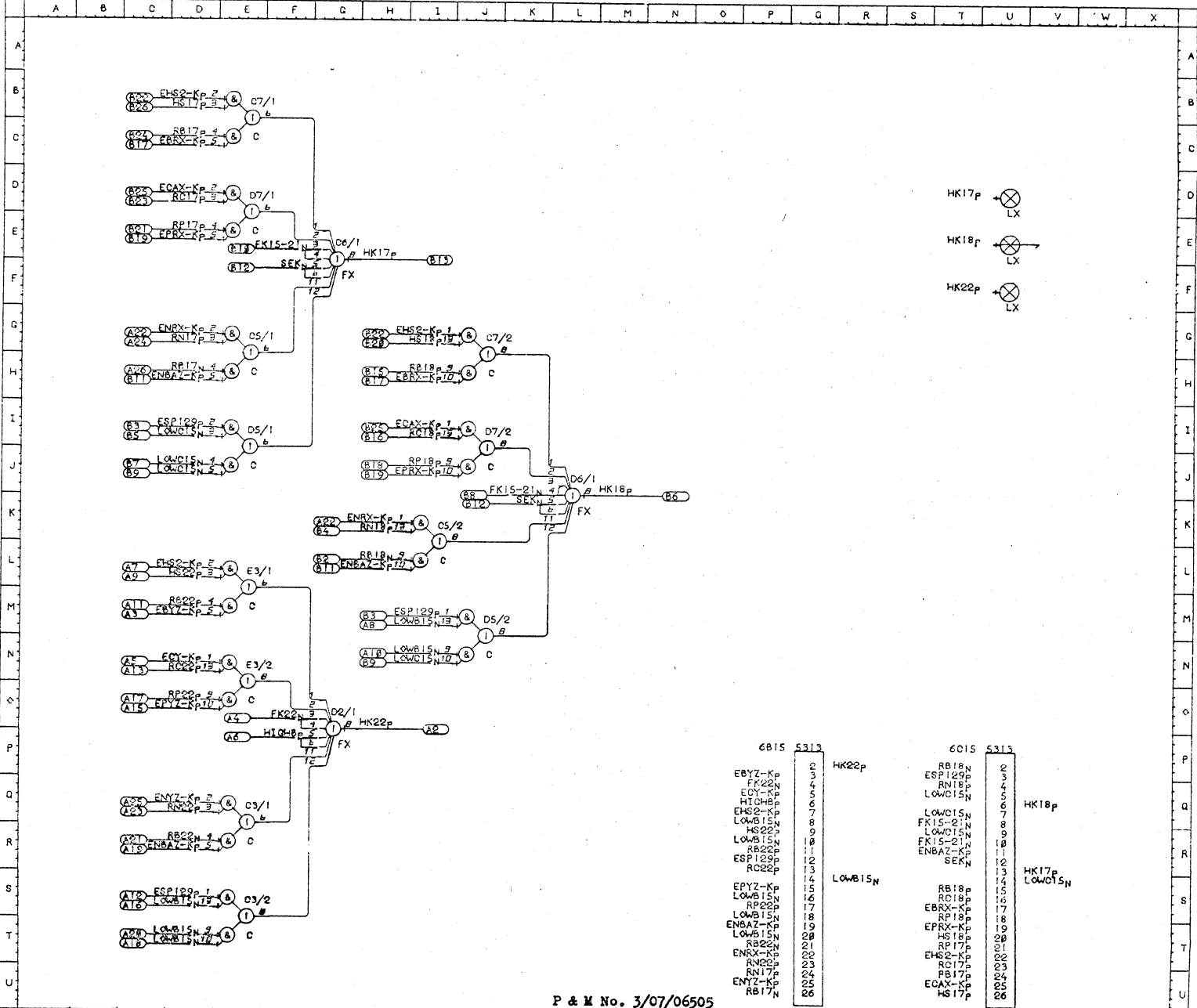


6614		5313		6014		5313	
EBRX-Kp	2	HK21p		RB16p	2		
FK15-21N	3			ESP129p	3		
ECAX-Kp	4			RN16p	4		
ENRX-Kp	5			LOWC14N	5		
SEKN	6			LOWC14N	6	HK16p	
EHS2-Kp	7			FK15-21N	7		
LOWB14N	8			LOWC14N	8		
HS21p	9			LOWC14N	9		
LOWB14N	10			FK15-21N	10		
RB21p	11			ENBAZ-Kp	11		
ESP129p	12			SEKN	12		
RC21p	13				13		
EPRX-Kp	14	LOWB14N			14		
LOWB14N	15			RB16p	15		
RP21p	16			RC16p	16		
LOWB14N	17			EPRX-Kp	17		
ENBAZ-Kp	18			RP16p	18		
LOWB14N	19			EPRX-Kp	19		
RB21N	20			HS16p	20		
ENRX-Kp	21			RP15p	21		
RN21p	22			EHS2-Kp	22		
RN15p	23			RC15p	23		
ENRX-Kp	24			RB15p	24		
ENRX-Kp	25			ECAX-Kp	25		
RB15N	26			HS15p	26		

28/02/70 K HIGHWAY (15,16,21) P & M No. 3/07/06505 WGH01***/0176

ISSUE: 1	TYPE MOD: 236 00	TYPE MOD:	TYPE MOD:	TYPE MOD:	TYPE MOD:
ACC: 2.767	ECC:	ECC:	ECC:	ECC:	ECC:

EPRX-Kp62 EB JG UP
 EBYZ-Kp64 EQ QP
 ECAX-Kp67 ED JI UP
 EYZ-Kp67 EN UP
 EHS2-Kp141 EB EL JG
 QP UP
 ENBAZ-Kp112 EG EQ IK
 QP UP
 ENRX-Kp64 EG IK QP
 ENYZ-Kp64 EQ QP
 EPRX-Kp66 ED JI UP
 EYZ-Kp66 EN UP
 ESP129p77 EI ES JM
 QP UP
 FK15-21p69 GE LJ UP
 FK22N 89 QO QP
 HIGHp 167 QO QP
 HK17p 92 GE UO UP 179
 HK18p 92 LJ UE UP 179
 HK22p 92 QO QP UF 193
 HS17p C3 FA UP
 HS18p C3 JG UP
 HS22p C3 EL QP
 LOWB15p OP ES JM
 LOWC15N UP EI JM
 RB17p 2020 EB UP
 RB18p 2020 EC QP
 RB18N 2020 EC QP
 RB18N 2020 EC QP
 RB22p 2020 EL QP
 RC17p 2020 ED QP
 RC18p 2020 EJ UP
 RC22p 2020 EN QP
 RN17p 2021 FG QP
 RN18p 2021 IK UP
 RN22p 2022 EC QP
 RP17p 2027 EO UP
 RP18p 2028 JI UP
 RP22p 2028 EN QP
 SEN 111 GE LU UP



6B15 5313		6C15 5313	
EPRX-Kp	2	RB18p	3
EYZ-Kp	3	ESP129N	4
ECAX-Kp	4	RN18p	5
EY-Kp	5	LOWC15N	6
HIGHp	6	LOWC15N	7
EHS2-Kp	7	FK15-21N	8
LOWB15N	8	LOWC15N	9
HS22p	9	FK15-21N	10
LOWB15N	10	ENBAZ-Kp	11
RB22p	11	SEN	12
ESP129p	12	RC22p	13
RC22p	13		14
EPYZ-Kp	14		15
LOWB15N	15		16
RP22p	16		17
LOWB15N	17		18
ENBAZ-Kp	18		19
LOWB15N	19		20
RB22N	20		21
ENRX-Kp	21		22
RC22p	22		23
RN17p	23		24
ENYZ-Kp	24		25
RB17N	25		26

P & M No. 3/07/06505

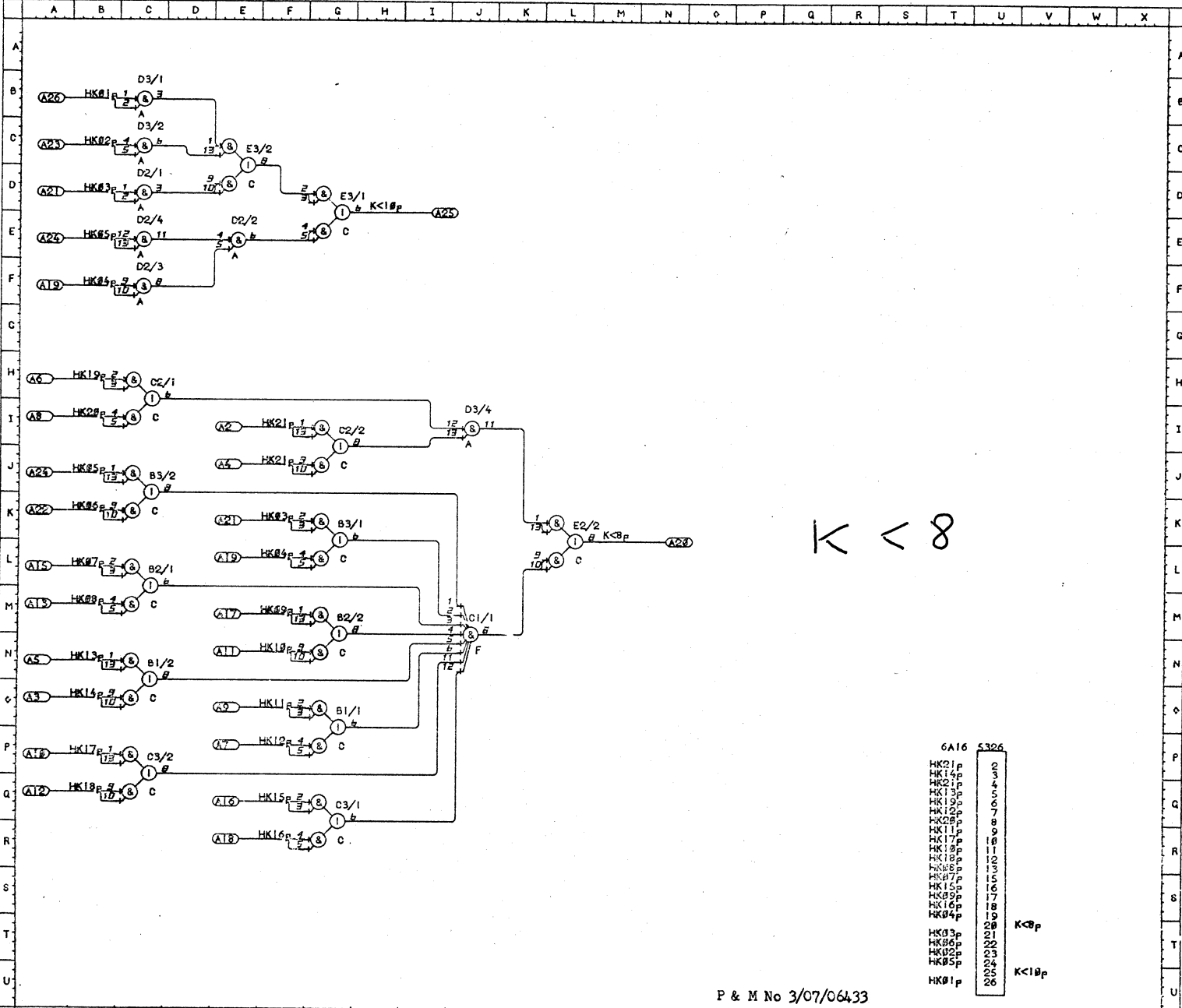
28/02/70

K-HIGHWAY (17-18, 22)

WGH01***/0177

ISSUE: /	TYPE	MOD: /	TYPE	MOD: /	TYPE	MOD: /	TYPE	MOD: /
ACC: 2767	ECC:		ECC:		ECC:		ECC:	

HK01P 170 CB UP
 170 188 253 273
 HK02P 171 CC UP
 171 188 255 273
 HK03P 171 CD GK UP
 171 188 252 255
 273
 HK04P 172 CE GK UP
 172 189 252 255
 273
 HK05P 172 CE CJ UP
 172 189 255 273
 HK06P 173 CJ UP
 173 189 273
 HK07P 173 CL UP
 173 189 273
 HK08P 173 CL UP
 173 192 223
 HK09P 174 CM UP
 174 192
 HK10P 174 CM UP
 174 192
 HK11P 174 GO UP
 174 192
 HK12P 175 GO UP
 175 191
 HK13P 175 CN UP
 175 191
 HK14P 175 CN UP
 175 191
 HK15P 176 QG UP
 176 191
 HK16P 176 QG UP
 176 192
 HK17P 177 CP UP
 177 192
 HK18P 177 CP UP
 177 192
 HK19P 178 CH UP
 178 192
 HK20P 178 CH UP
 178 192
 HK21P 176 QI UP
 176 193
 K<18P GD 14 47 99
 UP 139
 K<8P LK 94 UP 150
 160



6A16	5326
HK21P	2
HK14P	3
HK21P	4
HK13P	5
HK07P	6
HK12P	7
HK20P	8
HK11P	9
HK11P	10
HK10P	11
HK12P	12
HK05P	13
HK09P	14
HK15P	15
HK09P	16
HK16P	17
HK16P	18
HK04P	19
	20
HK03P	21
HK06P	22
HK02P	23
HK05P	24
	25
HK01P	26

K<8P
 K<18P

P & M No 3/07/06433

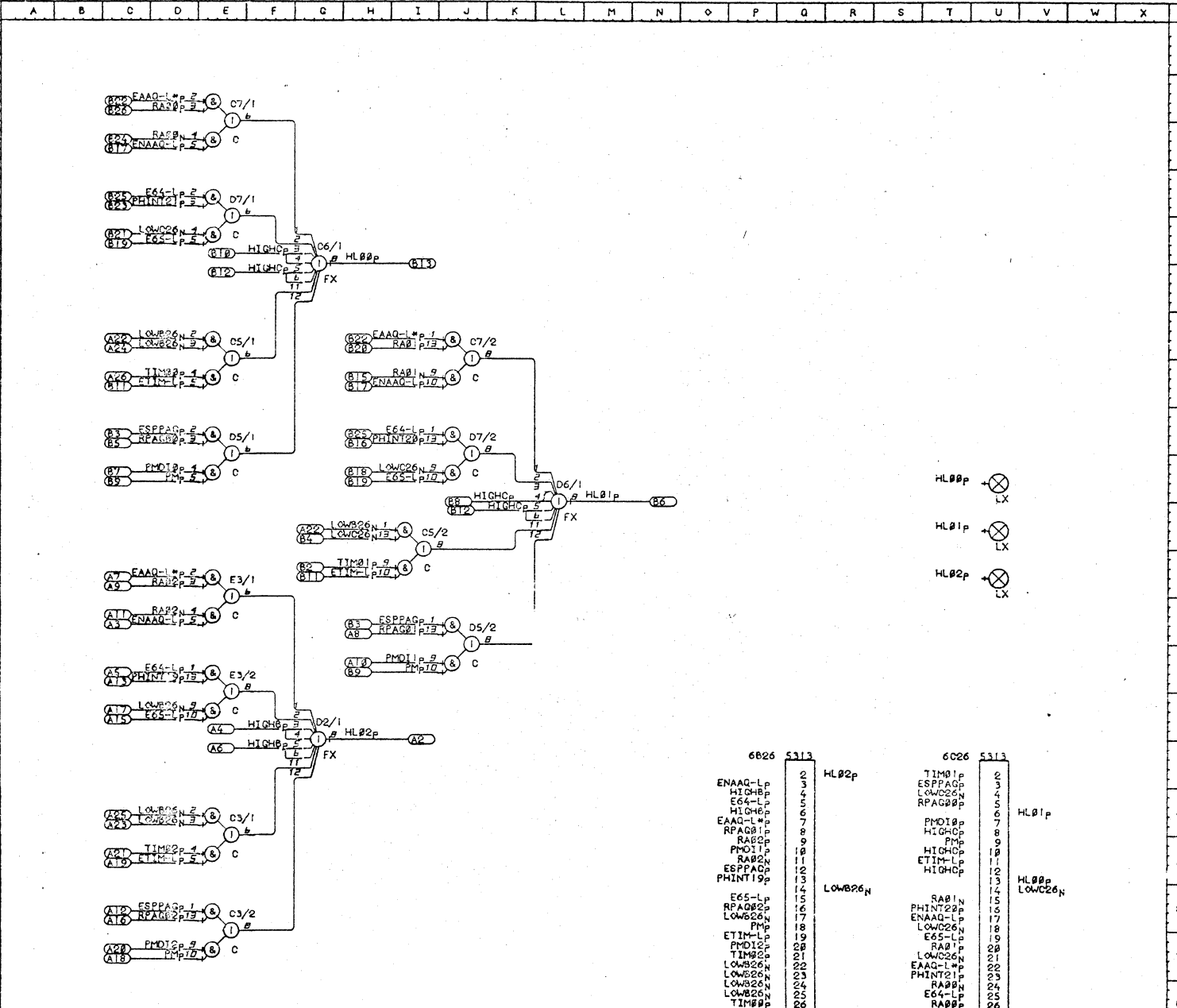
WGH01***/0179

ISSUE: ISS
 ACC: 2239

PKG MOD: 00
 ECC: 3046

24/09/69 K TESTS

E64-Lp 77 ED EN JI
 QP UP
 E65-Lp 77 ED EN JI
 QP UP
 EAAQ-Lp 72 E8 EL JG
 QP UP
 ENAAQ-Lp 167 E8 EL JG
 QP UP
 ESPPAGp 249 EI ES JM
 QP UP
 ETIM-Lp 68 EG EQ IK
 QP UP
 HIGHp 167 00 QP
 HIGHp 167 CE LU UP
 HL00p QE UU UP 188
 HL01p LJ UK UP 188
 HL02p 00 QP UL 188
 LOWC26NQP EG EN EQ
 IK
 LOWC26UP ED IK JI
 PHINT19p 275 EN QP
 PHINT21p 275 JI UP
 PHINT21p 275 ED UP
 PMP 145 EI ES JM
 QP UP
 PMP10p C3 EI UP
 PMP11p C3 JM QP
 PMP12p C3 ES QP
 RA00p 284 EB UP
 RA01p 284 EB UP
 RA01p 284 JD UP
 RA01N 284 JD UP
 RA02p 284 EL QP
 RA02N 284 EL QP
 RPAG00p C3 EI UP
 RPAG01p C3 JM QP
 RPAG02p C3 ES QP
 TIM00p 246 EG QP
 TIM01p 246 IK UP
 TIM02p 246 ED QP



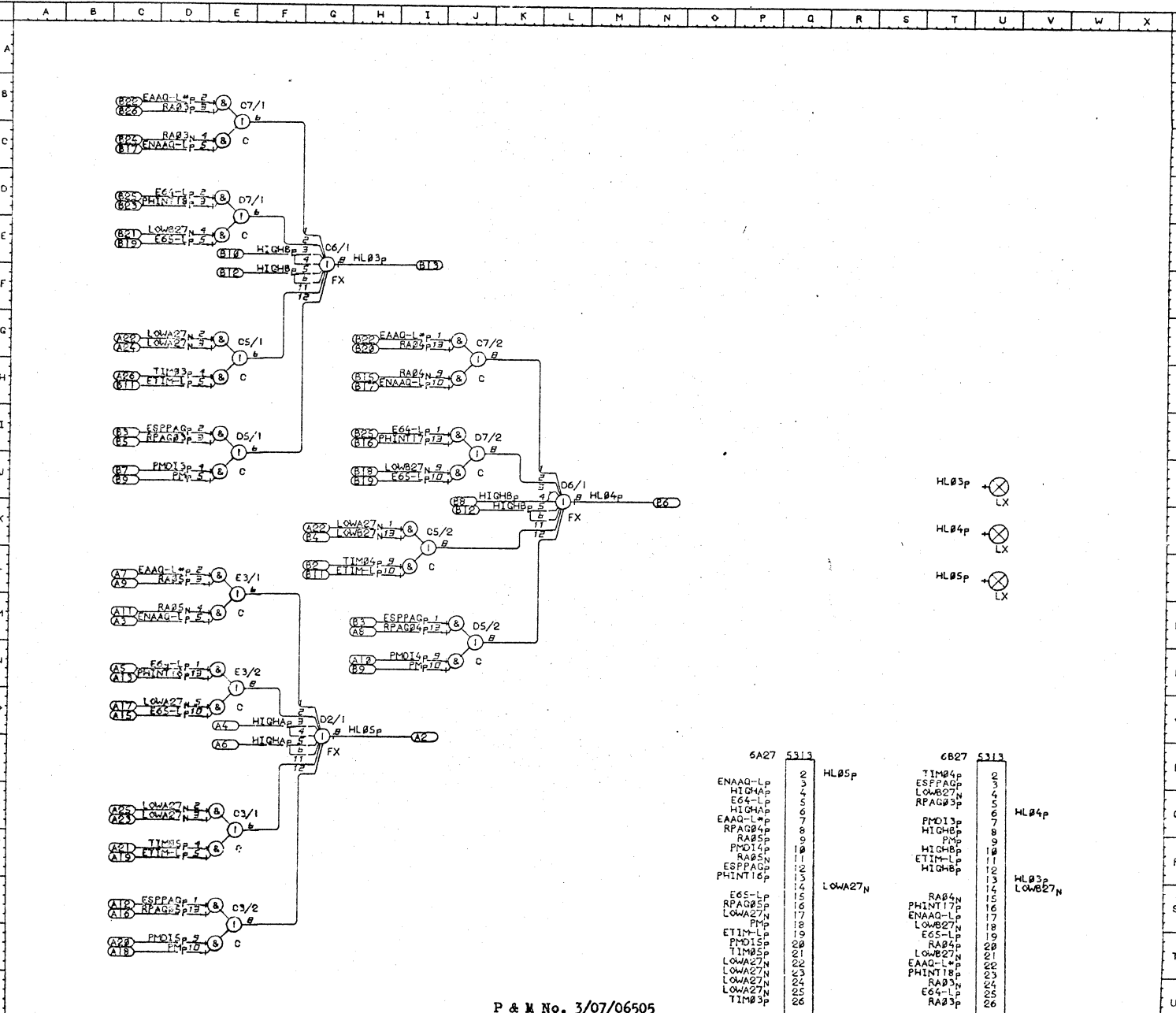
HL00p ⊗
 HL01p ⊗
 HL02p ⊗

6026	5313		6026	5313
ENAAQ-Lp	2	HL02p	TIM01p	2
HIGHp	3		ESPPAGp	3
E64-Lp	4		LOWC26N	4
HIGHp	5		RPAG00p	5
EAAQ-Lp	6		PMP10p	6
RA00p	7		HIGHp	7
RA01p	8		PMP	8
PMP11p	9		HIGHp	9
PMP12p	10		HIGHp	10
RA02N	11		ETIM-Lp	11
ESPPAGp	12		HIGHp	12
PHINT19p	13			13
	14	LOWC26N		14
E65-Lp	15		RA01N	15
LOWC26N	16		PHINT22p	16
PMP	17		ENAAQ-Lp	17
ETIM-Lp	18		LOWC26N	18
PMP12p	19		E65-Lp	19
LOWC26N	20		RA01p	20
LOWC26N	21		LOWC26N	21
LOWC26N	22		EAAQ-Lp	22
LOWC26N	23		PHINT21p	23
LOWC26N	24		RA00p	24
LOWC26N	25		E64-Lp	25
LOWC26N	26		RA00p	26
TIM00p	27			27

P & M No. 3/07/06505

28/02/70		L HIGHWAY (00-02)		WGHJ ***/0180	
ISSUE: /	TYPE MOD: 00	T. PE MOD:	TYPE MOD:	TYPE MOD:	TYPE MOD:
ACD: 2767	ECC:	ECC:	ECC:	ECC:	ECC:

E64-Lp 77 ED EN JI
 QP UP
 E65-Lp 77 ED EN JI
 QP UP
 EAAQ-Lp 72 EB EL JG
 QP UP
 ENAAQ-Lp 167 EB EL JG
 QP UP
 ESPPAGp 249 EI ES JM
 QP UP
 ETIM-Lp 68 EG EQ IK
 QP UP
 HIGHp 167 GO QP
 HIGHp 167 GE LJ UP
 HL83p GE UJ UP 188
 HL84p LJ UK UP 189
 HL85p GO QP UL 189
 LOWA27Np EQ EN EQ
 QP UP
 LOWA27Np ED IK JI
 PHINT18p 275 EN QP
 PHINT17p 275 JI UP
 PHINT18p 275 ED UP
 PMP 145 EI ES JM
 QP UP
 PMD13p C3 EI UP
 PMD14p C3 JM QP
 PMD15p C3 ES QP
 RA23p 284 EB UP
 RA23p 284 EB UP
 RA24p 284 JG UP
 RA24p 284 JG UP
 RA25p 284 EL QP
 RA25p 284 EL QP
 RPAG23p C3 EI UP
 RPAG24p C3 JM QP
 RPAG25p C3 ES QP
 TIM83p 246 EG QP
 TIM84p 246 IK UP
 TIM85p 246 EQ QP

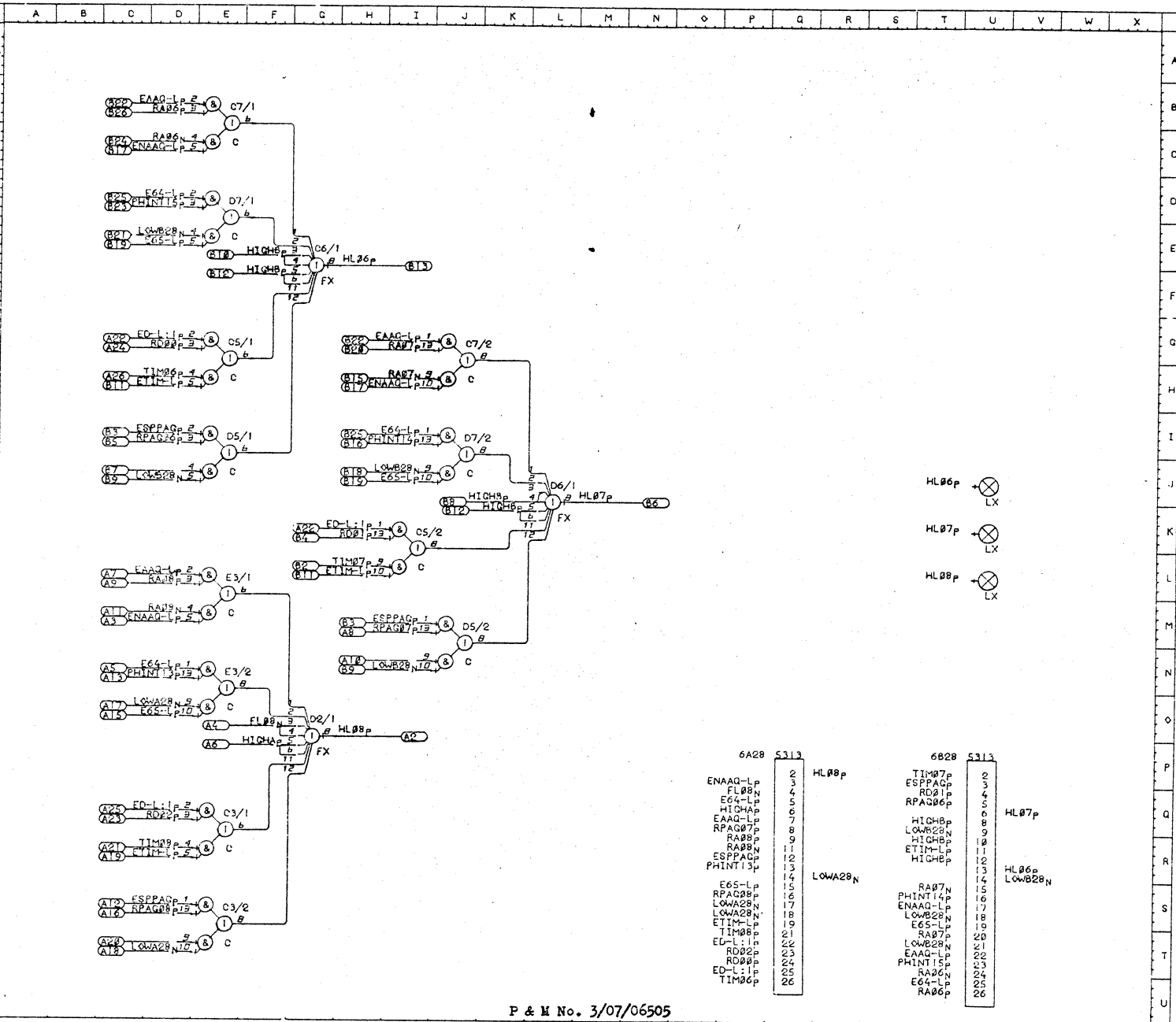


Code	Value	Code	Value
6A27	5313	6B27	5313
ENAAG-Lp	2	TIM84p	2
HIGHp	3	ESPPAGp	3
E64-Lp	4	LOWA27N	4
HIGHp	5	RPAG23p	5
EAAQ-Lp	6	PMD13p	6
RPAG23p	7	HIGHp	7
RA25p	8	PMP	8
PMD14p	9	HIGHp	9
RA24p	10	ETIM-Lp	10
ESPPAGp	11	HIGHp	11
PHINT18p	12	HIGHp	12
E65-Lp	13	HL83p	13
RPAG24p	14	LOWA27N	14
LOWA27N	15	RA25N	15
ETIM-Lp	16	ENAAQ-Lp	16
PMP	17	LOWA27N	17
LOWA27N	18	LOWA27N	18
E65-Lp	19	RA23p	19
PMD15p	20	LOWA27N	20
LOWA27N	21	EAAQ-Lp	21
LOWA27N	22	PHINT18p	22
LOWA27N	23	RA23p	23
LOWA27N	24	E64-Lp	24
LOWA27N	25	RA23p	25
TIM83p	26	RA23p	26

P & M No. 3/07/06505

28/02/70		L HIGHWAY (03-05)		WGH01***/0181	
ISSUE: /	TYPE MOD: 100 00	TYPE MOD:	TYPE MOD:	TYPE MOD:	TYPE MOD:
ACC: 2767	ECC:	ECC:	ECC:	ECC:	ECC:

E64-Lp 77 ED EN JI
 QP UP
 E65-Lp 77 ED EN JI
 QP UP
 EAAQ-Lp 72 EB EL JG
 QP UP
 ED-L:1p75 EG EQ IK
 QP
 ENAAQ-Lp 67 EB EL JG
 QP UP
 ESPPAGp 249 EI ES JM
 QP UP
 ETIM-Lp 69 EQ EQ IK
 QP UP
 FLB8N 112 00 QP
 HIGHAp 167 00 QP
 HIGHp 167 GE LJ UP
 HL86p GE LJ UP 189
 HL87p LJ UK UP 189
 HL88p 00 QP UL 190
 LOWA28p TN ES
 LOWB28p UP ED EI JI
 JM
 PHINT13p 275 EN QP
 PHINT14p 275 JI UP
 PHINT15p 275 ED UP
 RA86p 284 EB UP
 RA86N 284 EB UP
 RA87p 284 JQ UP
 RA87N 284 JQ UP
 RA88p 285 EL QP
 RA88N 285 EL QP
 RD84p 241 GE LQ UP
 RD84p 241 IK UP
 RD84p 241 ED QP
 RPAG86p 241 EI UP
 RPAG87p 241 JM QP
 RPAG88p 241 ES QP
 TIM86p 246 EQ QP
 TIM87p 246 IK UP
 TIM88p 246 EQ QP



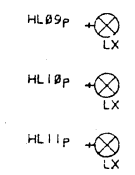
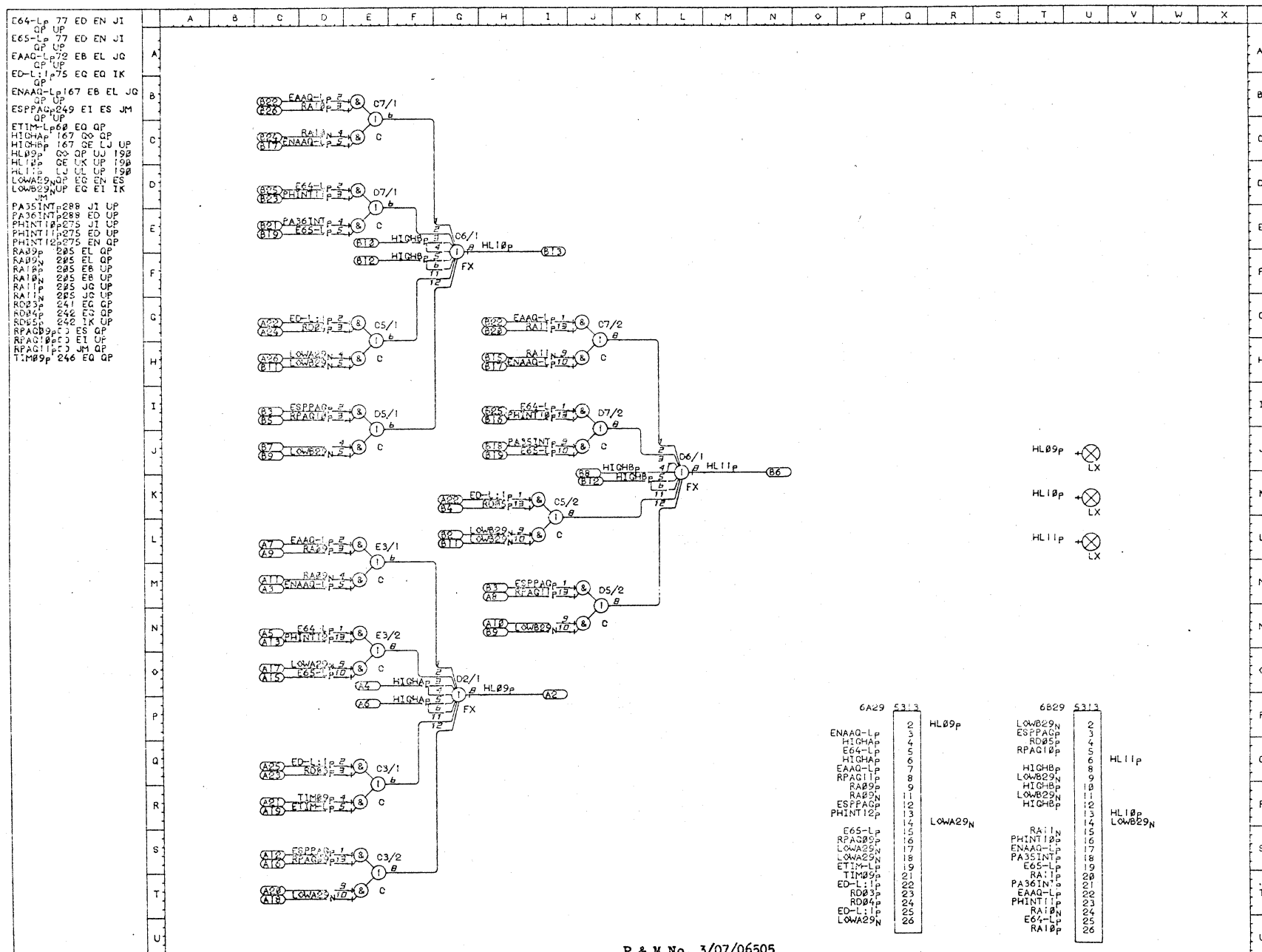
HL86p ⊗ LX
 HL87p ⊗ LX
 HL88p ⊗ LX

6A28 5313		6B28 5313	
ENAAQ-Lp	2	HL88p	TIM87p
FLB8N	3		ESPPAGp
FLB8N	4		RD81p
E64-L	5		RPAG86p
HIOHAp	6		
EAAQ-Lp	7		HIGHBp
RPAG87p	8		LOWB28N
RA88p	9		HIOHAp
RA88N	11		ETIM-Lp
ESPPAGp	12		HIGHBp
PHINT13p	13		
	14		
E65-Lp	15	LOWA28N	RA87N
RPAG88p	16		PHINT14p
LOWA28N	17		ENAAQ-Lp
LOWA28N	18		LOWB28N
ETIM-Lp	19		E65-Lp
TIM88p	21		RA87N
ED-L:1p	22		LOWB28N
RD82p	23		EAAQ-Lp
RD82p	24		PHINT15p
ED-L:1p	25		RA86N
TIM86p	26		E64-Lp
			RA86p

P & M No. 3/07/06505

28/02/70 L HIGHWAY (06-08) WGH01***/0182

ISSUE: 1	TYPE MOD: 00	TYPE MOD:	TYPE MOD:	TYPE MOD:	TYPE MOD:
ACC: 2767	ECC:	ECC:	ECC:	ECC:	ECC:

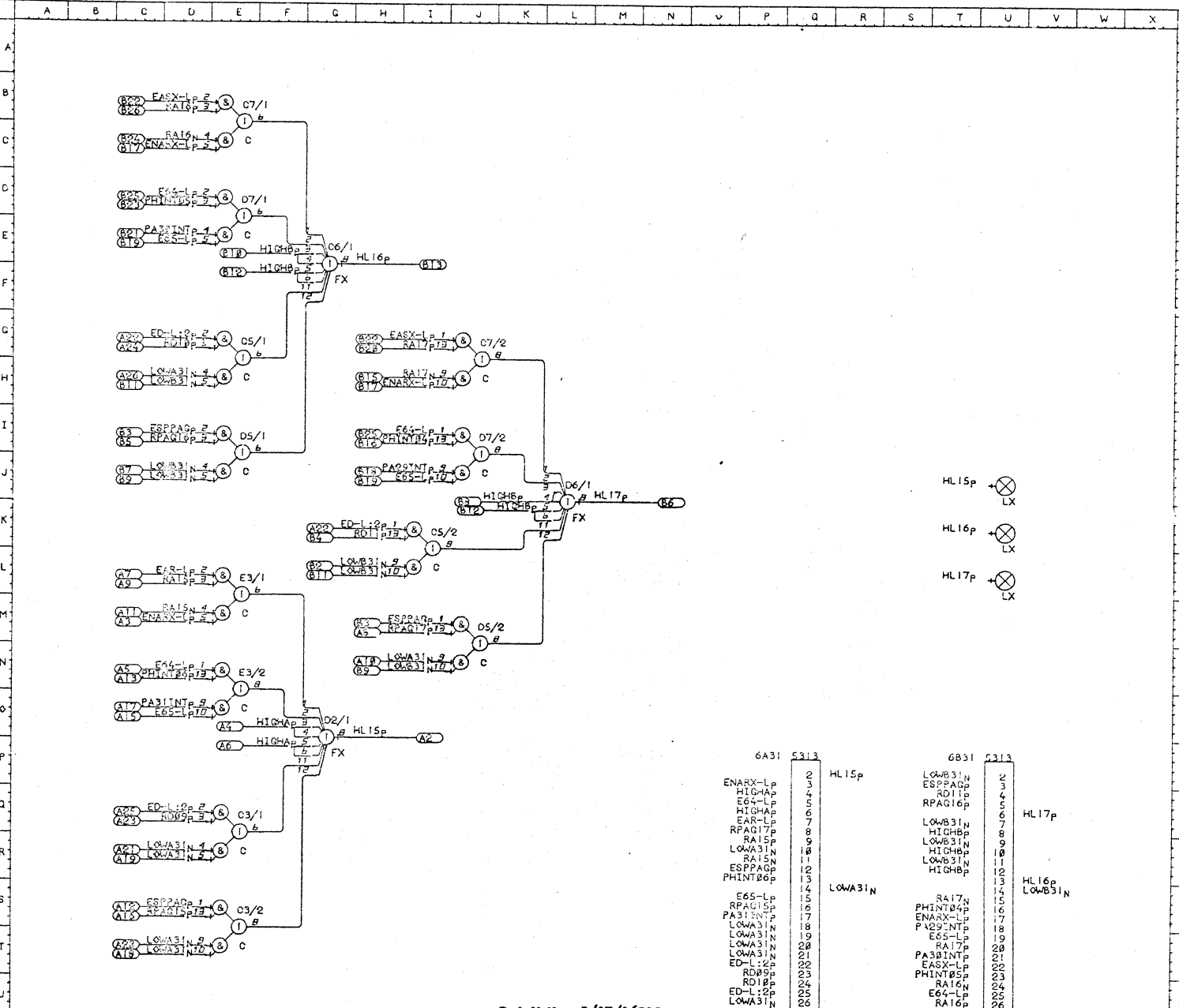


6A29 5313		6829 5313	
EAAQ-LP	2	LOWA29N	2
HIGHAP	3	ESPAGP	3
E64-LP	4	RD05P	4
HIGHAP	5	RPAGI0P	5
EAAQ-LP	6	HIGHAP	6
RPAGI1P	7	HIGHBP	7
RA09N	8	LOWA29N	8
RA09N	9	HIGHBP	9
ESPAGP	10	LOWA29N	10
PHINTI2P	11	HIGHBP	11
	12	HIGHBP	12
	13		13
	14		14
	15	RAI1N	15
	16	PHINTI0P	16
	17	ENAAQ-LP	17
	18	PA36INP	18
	19	E65-LP	19
	20	RAI1P	20
	21	PA36INP	21
	22	EAAQ-LP	22
	23	PHINTI1P	23
	24	RAI0N	24
	25	E64-LP	25
	26	RAI0P	26

P & M No. 3/07/06505

28/02/70		L HIGHWAY (09-11)		WGH01***/0183	
ISSUE: 1	TYPE MOD: 00	TYPE MOD:	TYPE MOD:	TYPE MOD:	TYPE MOD:
ADD: 2767	ECC:	ECC:	ECC:	ECC:	ECC:

E64-Lp 77 ED EN JI
 QP UP
 E65-Lp 77 ED EN JI
 QP UP
 EAR-Lp 72 EL QP
 EASX-Lp 70 EB JC UP
 ED-L:2p75 EQ EQ IK
 QP
 ENARX-L:73 EB EL JG
 QP UP
 ESPPAGp249 EI ES JM
 QP UP
 HIGHp 167 OO QP
 HIGHp 167 GE LU UP
 HL15p 00 QP UU 191
 HL16p GE UK UP 192
 HL17p LU UL UP 192
 LOWA31NQP EG EQ ES
 JM
 LOWB31NUP EG EI IK
 JM
 PA29INTp238 JI UP
 PA31INTp288 ED UP
 PA31INTp288 EN QP
 PHINT04p275 JI UP
 PHINT05p275 ED UP
 PHINT06p275 EN QP
 RA15p 205 EL QP
 RA15N 205 EL QP
 RA16p 206 EB UP
 RA16N 206 EB UP
 RA17p 206 JC UP
 RA17N 206 JC UP
 RD09p 243 EQ QP
 RD10p 243 EQ QP
 RD11p 243 IX QP
 RPAG15p151 ES QP
 RPAG16p151 ET UP
 RPAG17p151 EJ QP



6A31 5313		6B31 5313	
ENARX-Lp	2	LOWB31N	2
HIGHp	4	ESPPAGp	3
E64-Lp	4	RD11p	4
HIGHp	5	RPAG16p	5
EAR-Lp	6	LOWB31N	6
RPAG17p	8	HIGHp	8
RA15p	9	LOWB31N	9
LOWA31N	10	HIGHp	10
RA15N	11	LOWB31N	11
ESPPAGp	12	HIGHp	12
PHINT06p	13	LOWB31N	13
	14	LOWB31N	14
E65-Lp	15	RA17N	15
RPAG15p	16	PHINT04p	16
PA31INTp	17	ENARX-Lp	17
LOWA31N	18	PA29INTp	18
LOWA31N	19	E65-Lp	19
LOWA31N	20	RA17p	20
LOWA31N	21	PA31INTp	21
ED-L:2p	22	EASX-Lp	22
RD09p	23	PHINT05p	23
RD10p	24	RA16N	24
ED-L:2p	25	E64-Lp	25
LOWA31N	26	RA16p	26

P & M No. 3/07/06505

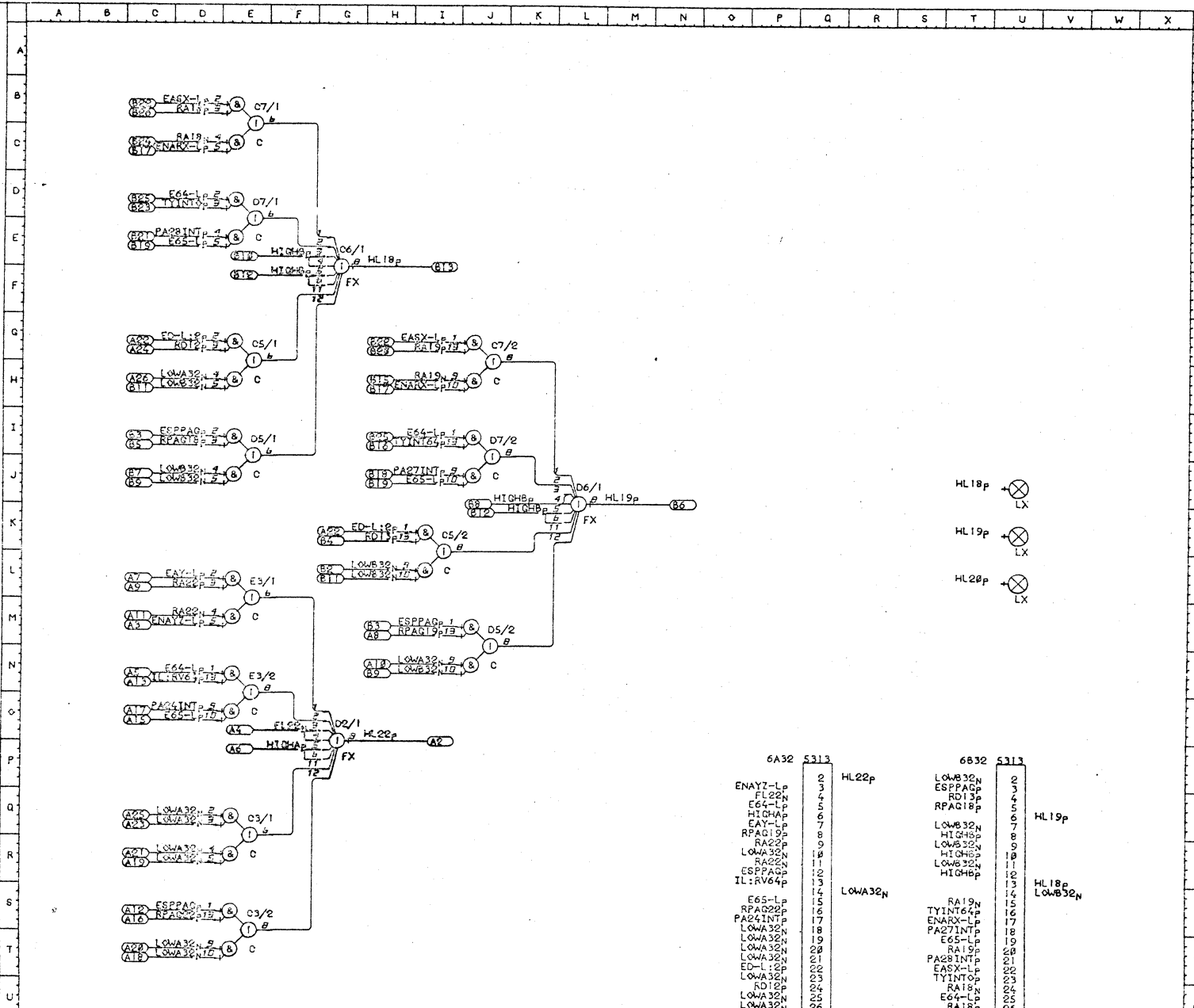
ISSUE: 1		TYPE MOD: 00		TYPE MOD:		TYPE MOD:		TYPE MOD:		TYPE MOD:	
ACD: 2747		ECC:		ECC:		ECC:		ECC:		ECC:	

28/02/70

L HIGHWAY (15-17)

WGHO1***/0185

E64-Lp 77 ED EN JI
 QP UP
 E65-Lp 77 ED EN JI
 QP UP
 EASX-Lp 72 EB JQ UP
 EAY-Lp 72 EL QP
 ED-Lp 75 EG IK QP
 ENARX-Lp 73 EB JQ UP
 ENAY7-Lp 73 EL QP
 ESPPAGp 649 EI ES
 QP UP
 FL22p 98 GQ QP
 HIGHp 167 GE QP
 HIGHp 167 GE LJ UP
 HL18p GE LJ UP 192
 HL19p LJ UK UP 192
 HL20p 187 UL
 HL20p GQ QP 187
 193 193
 IL:RV64p 157 EN QP
 LOWA32p QP EG EQ ES
 JM
 LOWB32p UP EG EI IK
 JM
 PA27INTp 288 EN QP
 PA27INTp 288 JI UP
 PA28INTp 288 ED UP
 RA18p 286 EB UP
 RA18p 286 EB UP
 RA18p 286 JQ UP
 RA19p 286 JG UP
 RA20p 286 EL QP
 RA20p 286 EL QP
 RD13p 244 EQ QP
 RD13p 244 IK UP
 RPAC18p c1 EI UP
 RPAC19p c1 JM QP
 RPAC20p c1 ES QP
 TYINT6p 17 JI UP
 TYINT6p 17 ED UP



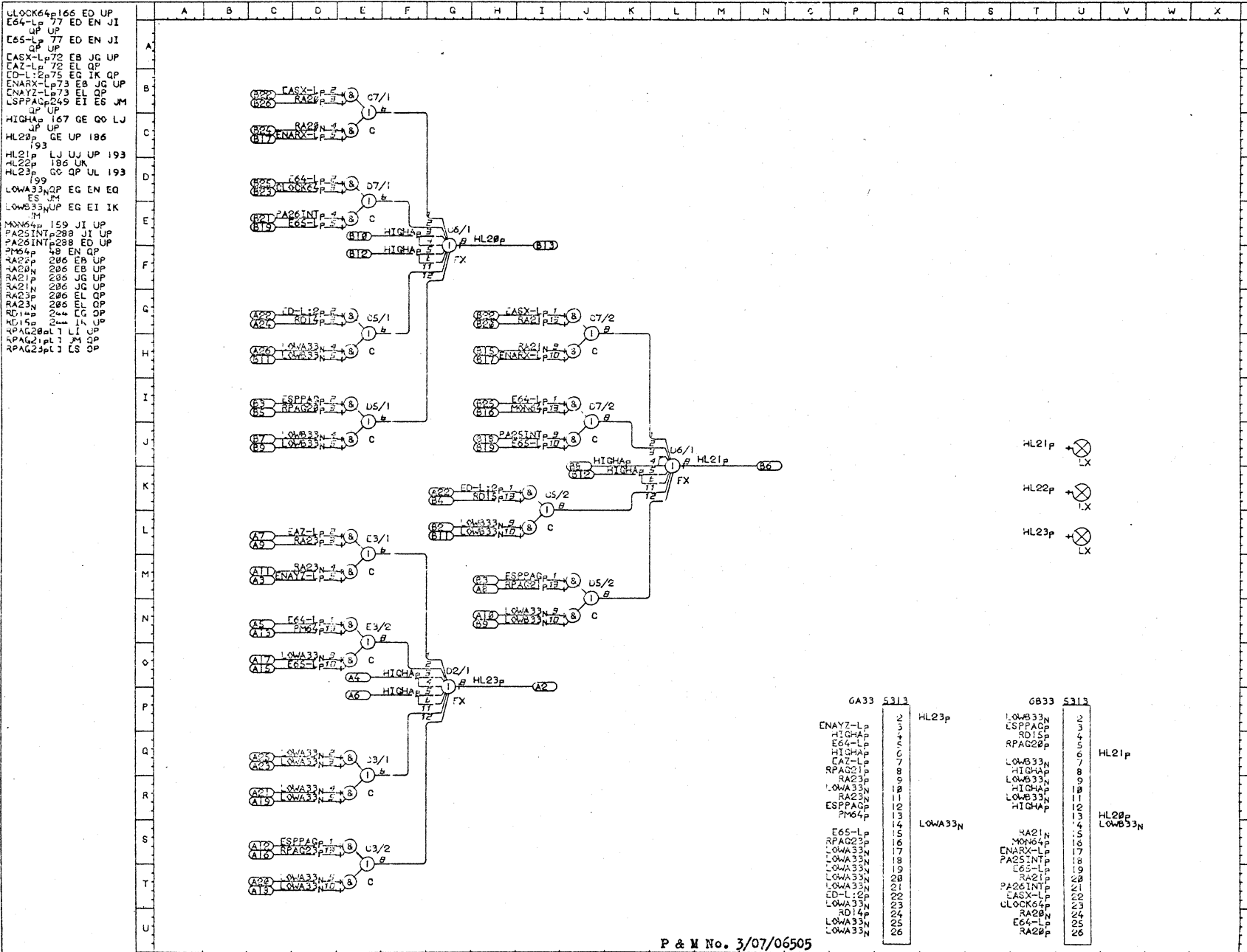
HL18p ⊗ LX
 HL19p ⊗ LX
 HL20p ⊗ LX

6A32 5313		6632 5313	
ENAY7-Lp	2	LOWB32p	2
FL22p	3	ESPPAGp	3
E64-Lp	4	RD13p	4
HIGHp	6	RPAC18p	5
EAY-Lp	7	LOWB32p	7
RPAC19p	8	HIGHp	8
RA20p	9	LOWB32p	9
LOWA32p	10	HIGHp	10
RA20p	11	LOWB32p	11
ESPPAGp	12	HIGHp	12
IL:RV64p	13	LOWB32p	13
	14	HIGHp	14
E65-Lp	15	RA19p	15
RPAC22p	16	TYINT6p	16
PA24INTp	17	ENARX-Lp	17
LOWA32p	18	PA27INTp	18
LOWA32p	19	E65-Lp	19
LOWA32p	20	RA19p	20
LOWA32p	21	PA28INTp	21
ED-Lp	22	EASX-Lp	22
LOWA32p	23	TYINT6p	23
RD12p	24	RA18p	24
LOWA32p	25	E64-Lp	25
LOWA32p	26	RA18p	26

P & M No. 3/07/06505

28/02/70 L.HIGHWAY(18,19,22) WGH01***/0186

ISSUE: 1	TYPE MOD: 00	TYPE MOD: 00	TYPE MOD: 00	TYPE MOD: 00	TYPE MOD: 00
ACC: 2767	ECC:	ECC:	ECC:	ECC:	ECC:



P & M No. 3/07/06505

28/02/70

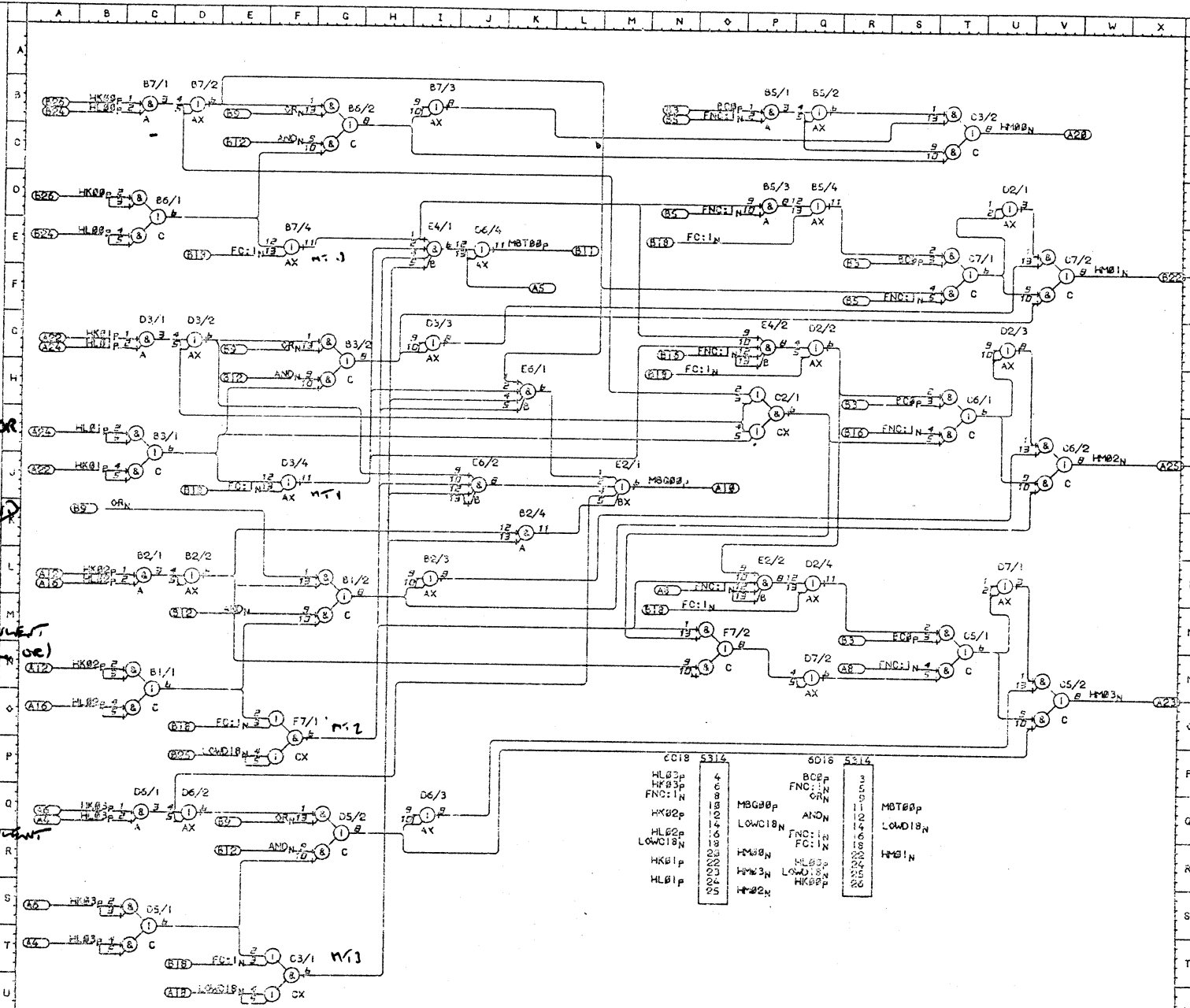
L-HIGHWAY (20, 21, 23)

WGHO 1***/0187

ISSUE: 1	TYPE MOD: 00	TYPE MOD:	TYPE MOD:	TYPE MOD:	TYPE MOD:	TYPE MOD:
ACC: 2767	ECC:	ECC:	ECC:	ECC:	ECC:	ECC:

	6A33	5313		6B33	5313
ENAYZ-Lp	2		HL23p	LOWB33N	2
HIGHAP	3			ESPPAGp	3
E64-Lp	4			RD15p	5
HIGHAP	5			RPAG20p	6
CAZ-Lp	7			LOWB33N	7
RPAG21p	8			HIGHAP	8
RA23p	9			LOWB33N	9
LOWA33N	10			HIGHAP	10
RA23N	11			LOWB33N	11
ESPPAGp	12			HIGHAP	12
PM64p	13			LOWB33N	13
E65-Lp	14		LOWA33N	HIGHAP	14
RPAG22p	15			RA21N	15
LOWA33N	16			MON64p	16
LOWA33N	17			ENARX-Lp	17
LOWA33N	18			PASINTp	18
LOWA33N	19			E65-Lp	19
LOWA33N	20			RA21p	20
LOWA33N	21			PASINTp	21
ED-L:2p	22			CASX-Lp	22
LOWA33N	23			ULOCK64p	23
RD14p	24			RA20N	24
LOWA33N	25			E64-Lp	25
LOWA33N	26			RA20p	26

ANDN 197 GB GG QL
 BCBP 196 PB RF TE
 FC:IN 197 FE FJ FO
 FNC:IN 197 OF PB PD
 PL RP TE TH
 HK82P 178 CB CD RP
 HK81P 178 CC CI OP
 HK83P 171 CC CZ OP
 HL82P 198 CC CP RP
 HL81P 198 CC CI OP
 HL83P 194 CC CX OP
 HL84P 181 CC CS OP
 T3 OP 194
 HM01N VE RP 194
 HM02N VI OP 194
 HM03N VN OP 194
 HM04N VO OP 194
 HM05N VP OP 194
 HM06N VQ OP 194
 HM07N VR OP 194
 HM08N VS OP 194
 HM09N VT OP 194
 HM10N VU OP 194
 HM11N VV OP 194
 HM12N VW OP 194
 HM13N VX OP 194
 HM14N WY OP 194
 HM15N WZ OP 194
 HM16N XX OP 194
 HM17N XY OP 194
 HM18N XZ OP 194
 HM19N YY OP 194
 HM20N ZZ OP 194

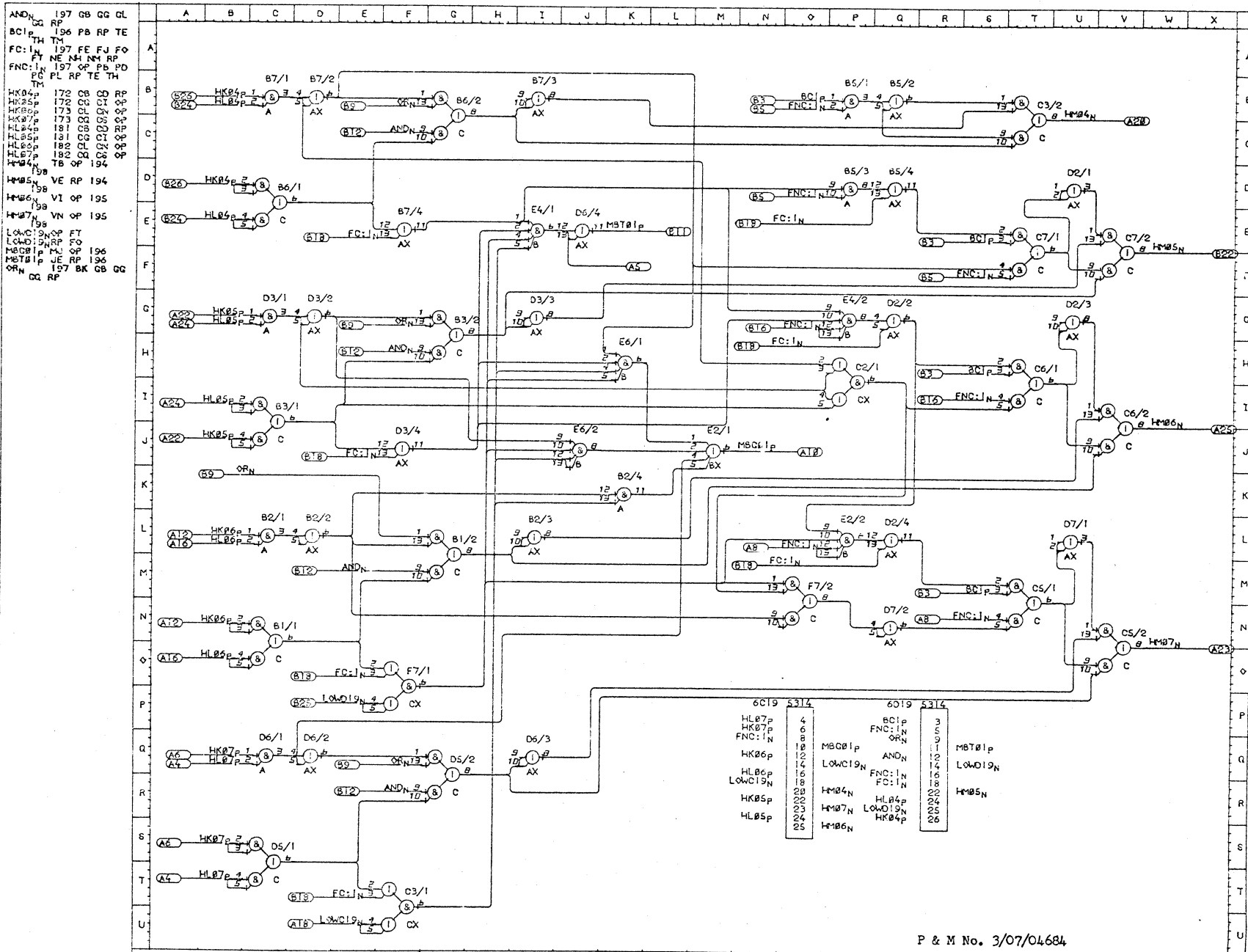


02/02/121
 RN active for logic OR
 020/030/120
 AND - - AND
 022/032/122
 NEQVn - NOT EQUIVALENT (Boolean OR)
 FC:IN 2n - LOGICAL AND
 FNC:IN 2n - LOGICAL OR & NOT EQUIVALENT

CC18	5314	6016	5314
HL82P	4	BCBP	3
HL83P	6	FNC:IN	5
FNC:IN	8	ORN	5
HK82P	18	MBG00P	11
HL82P	14	ANDN	12
LOWC18N	16	FNC:IN	14
HL82P	18	FC:IN	16
LOWC18N	19	HM01N	18
HK81P	22	HM02N	20
HL81P	23	HM03N	22
HL81P	24	HM04N	24
HL81P	25	HM05N	26
		HM06N	28
		HM07N	30
		HM08N	32
		HM09N	34
		HM10N	36
		HM11N	38
		HM12N	40
		HM13N	42
		HM14N	44
		HM15N	46
		HM16N	48
		HM17N	50
		HM18N	52
		HM19N	54
		HM20N	56

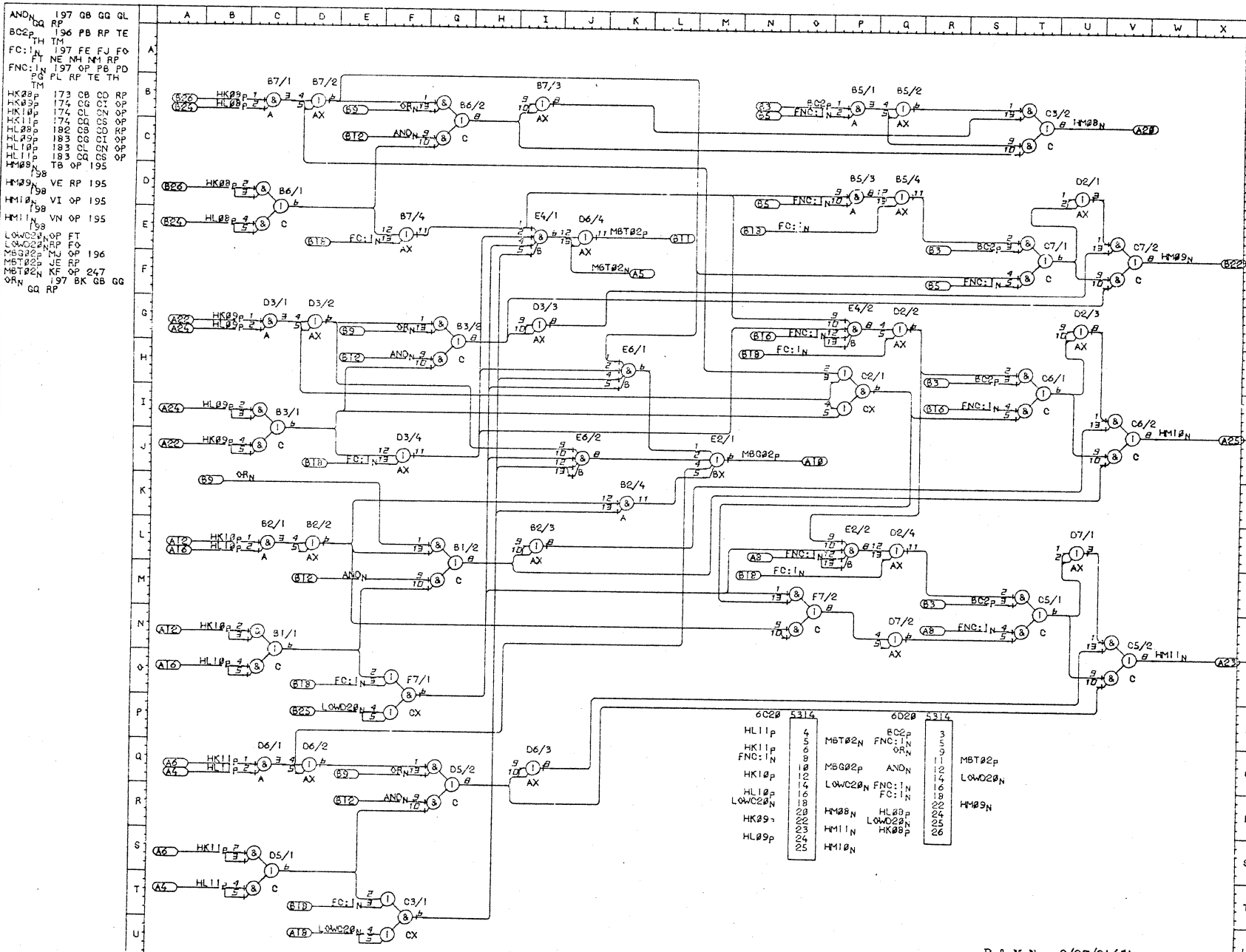
28/02/70 MILL (00-03) P & M No. 3/07/04684 WGH01***/0188

ISSUE: 1	TYPE MOD: 00	TYPE MOD:	TYPE MOD:	TYPE MOD:	TYPE MOD:	TYPE MOD:
ADD: 2767	LCC:	ECC:	ECC:	ECC:	ECC:	ECC:



P & M No. 3/07/04684

02/03/70		MILL (04-07)		WGHO1***/0189	
ISSUE: I	TYPE MOD: 83 CC	TYPE MOD:	TYPE MOD:	TYPE MOD:	TYPE MOD:
ACC: 2767	ECC:	ECC:	ECC:	ECC:	ECC:



ANDN 197 GB GG QL
 BC2P 196 PB RP TE
 TH TM
 FC:IN 197 FE FJ FO
 FT NE WH WJ RP
 FNC:IN 197 OP PB PD
 PG PL RP TE TH
 TM
 HK09P 173 CB CO RP
 HK09P 174 CG CT OP
 HK10P 174 CL CN OP
 HK11P 174 CO CS OP
 HL09P 182 CB CO RP
 HL09P 183 CG CT OP
 HL10P 183 CL CN OP
 HL11P 183 CO CS OP
 HM09N 198 TB OP 195
 HM09N 199 VE RP 195
 HM10P 199 VI OP 195
 HM11N 199 VN OP 195
 LOWC20P 199 FT
 MBG02P 199 MF
 MBT02P 199 MJ OP 196
 MBT02P 199 JE RP
 MBT02N 197 KF OP 247
 ORN 197 BK GB GG
 GQ RP

6C20	5314	6D20	5314
HL11P	4	EC2P	3
HK11P	5	FNC:IN	9
FNC:IN	8	MBT02N	11
HK10P	10	ORN	12
HL10P	12	MBG02P	14
LOWC20P	14	ANDN	16
HK09P	16	LOWC20N	18
HL09P	18	FC:IN	20
	20	HM09N	22
	22	HL09P	24
	24	HM11N	26
	26	HK09P	28
	28	HM11N	30

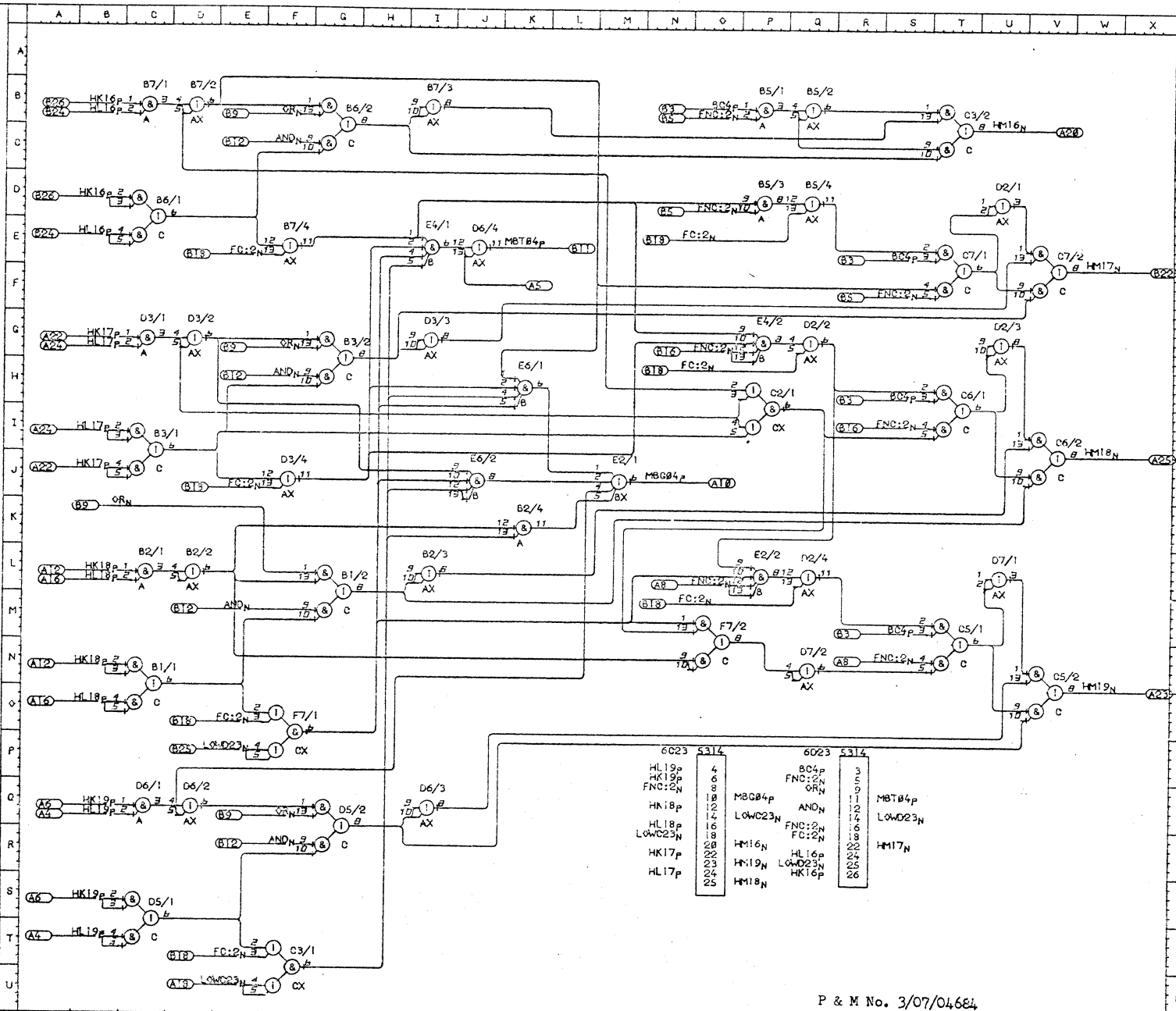
02/03/70 MILL (08-11)

P & M No. 3/07/04684

WGH01***/0190

ISSUE: 1	TYPE MOD: 00	TYPE MOD:	TYPE MOD:	TYPE MOD:	TYPE MOD:	TYPE MOD:
ACD: 2767	ECC:	ECC:	ECC:	ECC:	ECC:	ECC:

ANDN 197 QB QQ QL
 BC4p 196 PB RP TE
 FC:2N 197 FE FJ FO
 FT NE NH NI NP
 FNC:2N 197 OP PB PD
 FC PL RP TE TH
 TM
 HK16p 176 OB OD OP
 HK17p 177 OC ON OQ
 HK18p 178 OD OS OT
 HL16p 185 OB OD OP
 HL17p 186 OC ON OQ
 HL18p 186 OD OS OT
 HM16N 186 OB OD OS OT
 HM17N 187 VE RP RS
 HM18N 188 VI OP PS
 HM19N 189 VN OP PS
 LOWC23N OP FT
 LOWC23N RP FO
 MBG84p MU OP 196
 MBT84p JE RP 196
 ORN 197 BK OB OD
 QG RP



6023 5314		6023 5314	
HL19p	4	BC4p	3
HK19p	6	FNC:2N	5
FNC:2N	8	ORN	9
HN18p	10	MBG84p	11
HL18p	12	ANDN	12
LOWC23N	14	LOWC23N	14
HL17p	16	FNC:2N	16
HK17p	18	FC:2N	18
HL17p	20	HM16N	22
	22	HM17N	24
	24	HL16p	25
	26	HM19N	26
		LOWC23N	
		HK16p	

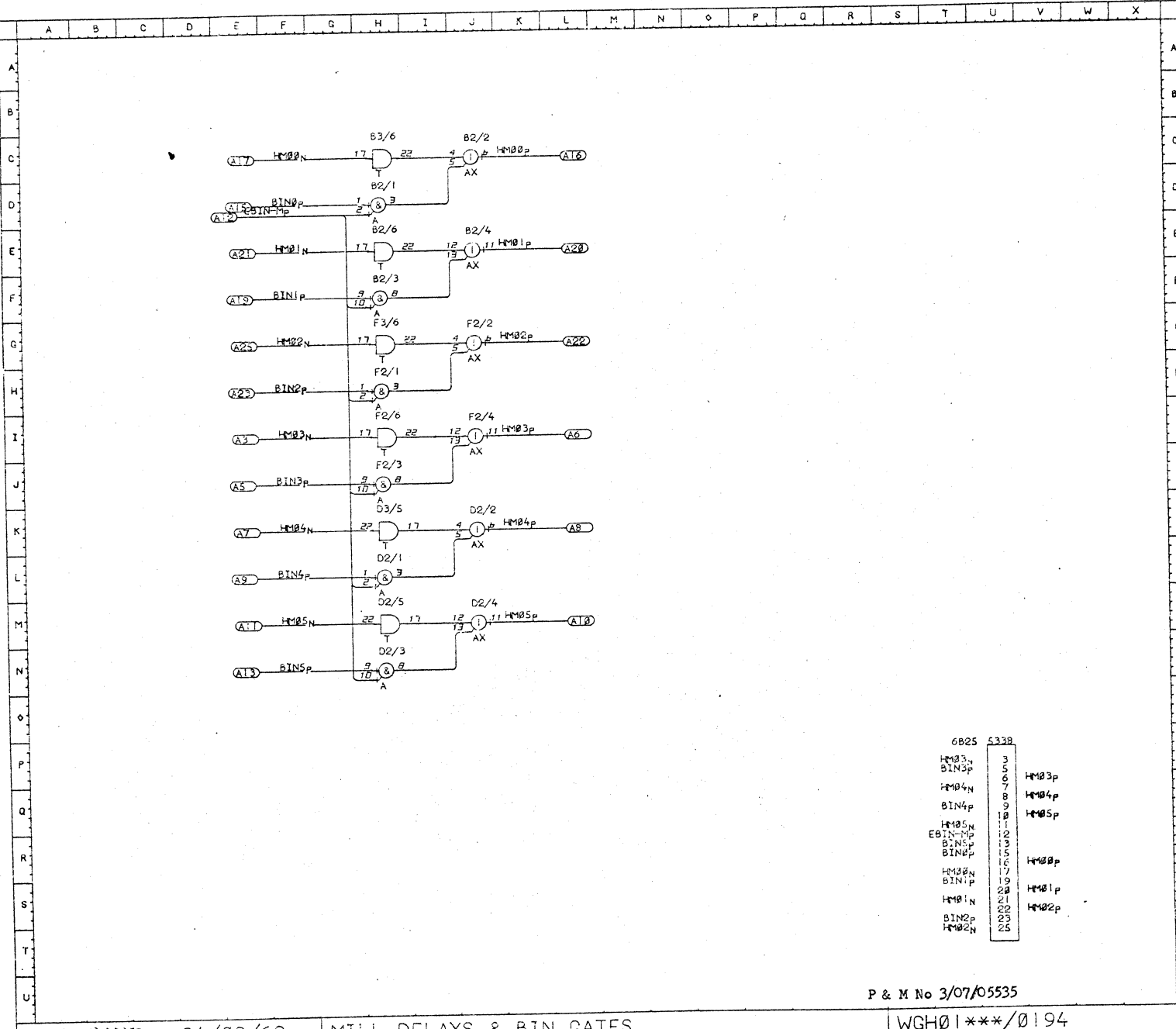
28/02/70 MILL (16-19)

P & M No. 3/07/04684

WGHO1***/0192

ISSUE: I	TYPE MOD: 25 00	TYPE MOD:	TYPE MOD:	TYPE MOD:	TYPE MOD:	TYPE MOD:
ACC: 2767	ECC:	ECC:	ECC:	ECC:	ECC:	ECC:

BIN0p	263	HO	UP
BIN1p	263	HF	UP
BIN2p	263	HJ	UP
BIN3p	263	HL	UP
BIN4p	263	HN	UP
BIN5p	263	HN	UP
EBIN-Mp	93	ED	UP
HM00p	201	JC	UP 200
HM00p	202	219	226
HM00p	227	188	HC UP
HM01p	199	JE	UP 200
HM01p	201	202	203 227
HM01p	198	HE	UP
HM02p	198	JG	UP 200
HM02p	201	202	203 225
HM02p	198	HG	UP
HM03p	198	JI	UP 200
HM03p	201	203	188 HI UP
HM03p	198	HI	UP
HM04p	198	JK	UP 201
HM04p	202	203	189 HK UP
HM04p	198	HK	UP
HM05p	198	JM	UP 200
HM05p	201	202	189 HM UP
HM05p	198	HM	UP



6025	5338
HM03p	3
BIN3p	5
HM04p	7
HM04p	8
BIN4p	9
HM05p	10
HM05p	11
EBIN-Mp	12
BIN5p	13
BIN5p	15
HM00p	16
HM00p	17
BIN1p	19
HM01p	20
HM01p	21
HM02p	22
BIN2p	23
HM02p	25

P & M No 3/07/05535

WG01***/0194

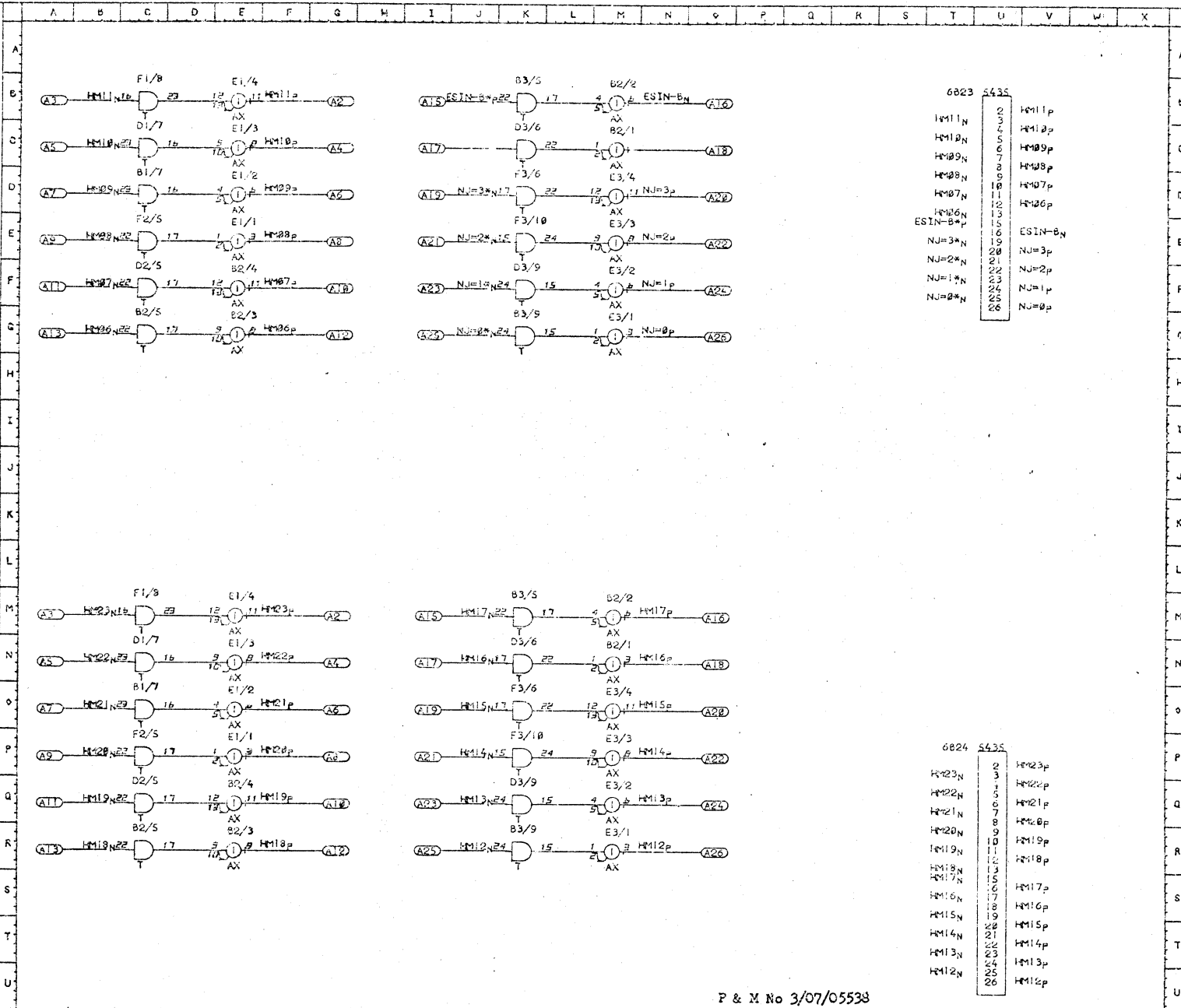
24/09/69

MILL DELAYS & BIN GATES

ISSUE: 155
ACD: 2239

PKG MOD: 00 2
ECO: 0000 1725

ESIN-B_N MB UB 248
 ESIN-B_N 192 KB UB
 HM06_p EG UB 281
 HM06_N 189 CG UB
 HM07_p EF UB 281
 HM07_N 189 CF UB
 HM08_p EE UB 281
 HM08_N 190 CE UB
 HM09_p ED UB 281
 HM09_N 190 CD UB
 HM10_p EC UB 281
 HM10_N 190 CC UB
 HM11_p FA UA 282
 HM11_N 190 CS UB
 HM12_p MR UP 282
 HM12_N 191 AR UP
 HM13_p MD UP 282
 HM13_N 191 AQ UP
 HM14_p MP UP 282
 HM14_N 191 KP UP
 HM15_p MX UP 282
 HM15_N 191 KQ UP
 HM16_p MN UP 282
 HM16_N 192 KN UP
 HM17_p MA UP 282
 HM17_N 192 KM UP
 HM18_p ER UP 282
 HM18_N 192 CR UP
 HM19_p EQ UP 282
 HM19_N 192 CQ UP
 HM20_p CP UP 283
 HM20_N 193 CP UP
 HM21_p EO UP 195
 HM21_N 193 CO UP
 HM22_p EN UP 195
 HM22_N 200 283 286
 HM22_N 193 CN UP
 HM23_p CH UP 198
 HM23_N 200 283 289 285
 HM23_N 193 19 28 29
 HM23_N 199 198 288
 HM23_N 206 247
 NU=0_p MQ UB 223
 NU=0_N 223 KG UB
 NU=1_p MF UB 223
 NU=1_N 223 KF UB
 NU=2_p ME UB 223
 NU=2_N 223 KE UB
 NU=3_p MD 42 UB 139
 NU=3_N 223
 NU=3_N 223 KD UB



6823	5435	
2	2	HM11 _p
3	3	HM11 _N
4	4	HM12 _p
5	5	HM12 _N
6	6	HM09 _p
7	7	HM09 _N
8	8	HM08 _p
9	9	HM08 _N
10	10	HM07 _p
11	11	HM07 _N
12	12	HM06 _p
13	13	HM06 _N
14	14	ESIN-B _N
15	15	ESIN-B _p
16	16	ESIN-B _N
17	17	ESIN-B _p
18	18	ESIN-B _N
19	19	ESIN-B _p
20	20	NU=3 _p
21	21	NU=3 _N
22	22	NU=2 _p
23	23	NU=2 _N
24	24	NU=1 _p
25	25	NU=1 _N
26	26	NU=0 _p
27	27	NU=0 _N

6824	5435	
2	2	HM23 _p
3	3	HM23 _N
4	4	HM22 _p
5	5	HM22 _N
6	6	HM21 _p
7	7	HM21 _N
8	8	HM20 _p
9	9	HM20 _N
10	10	HM19 _p
11	11	HM19 _N
12	12	HM18 _p
13	13	HM18 _N
14	14	HM17 _p
15	15	HM17 _N
16	16	HM16 _p
17	17	HM16 _N
18	18	HM15 _p
19	19	HM15 _N
20	20	HM14 _p
21	21	HM14 _N
22	22	HM13 _p
23	23	HM13 _N
24	24	HM12 _p
25	25	HM12 _N
26	26	HM12 _p

P & M No 3/07/05538

ISSUE: 155
 ACD: 2234

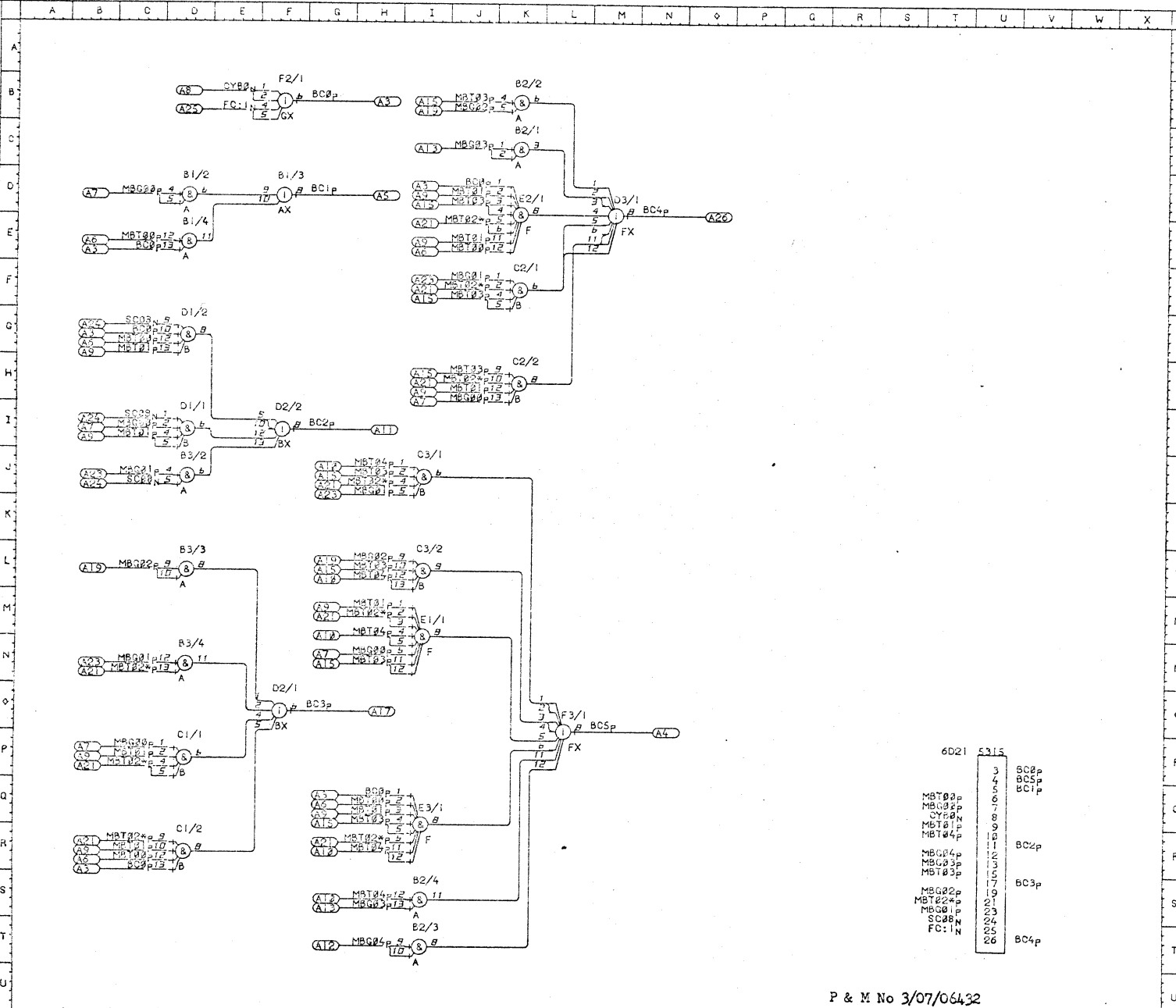
24/09/69

MILL DELAYS

PKG MOD: 4
 FCC: 2006 2725

WGH01***/0195

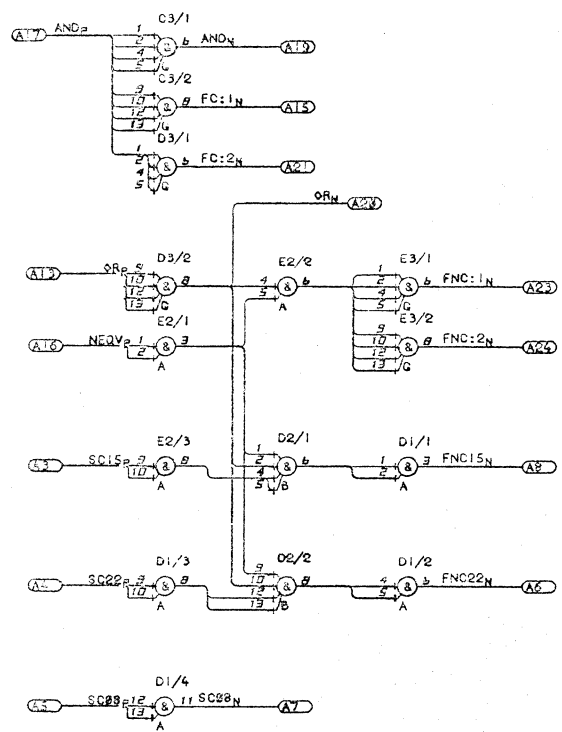
BCBp FB DE D3 DR
 BC1p FD UP 189
 BC2p FI UP 198
 223
 BC3p Fo UP 191
 BC4p MO UP 192
 BC5p LO UP 193
 199
 CYB2N 199 FB UP
 FC:IN 197 FB UP
 188 189 190
 MBG02p 188 DD DI DP
 MBG01p 189 DJ DN IJ
 NF UP
 MBG02p 190 DL IL NB
 UF
 MBG03p 191 IS KO UP
 MBG04p 192 IT UP
 MBT03p 188 DE DG DR
 189 NO UP
 MBT01p 189 DG DI DP
 DR IM IQ KO KH
 UP
 MBT02p 247 DN DP DR
 IJ IM IQ KO KF
 KH UP
 MBT03p 191 IJ IL IM
 IG KB KO KF KH
 UP
 MBT04p 192 IJ IL IM
 IJ IS UP
 SCB8p 197 DG DI DJ
 UP



6021	5315	
	3	BC2p
	4	BC5p
	5	BC1p
MBT02p	6	
MBG02p	7	
CYB2N	8	
MBT01p	9	
MBT04p	10	BC2p
	11	
MBG04p	12	
MBG03p	13	
	14	BC3p
MBG02p	15	
MBT22p	16	
MBG01p	17	
SCB8N	18	
FC:IN	19	BC4p
	20	
	21	
	22	
	23	
	24	
	25	
	26	

P & M No 3/07/06432

AND_p 75 ED UP
 AND_N 80 UP 188
 189 190 191 192
 FC:1_N 90 UP 188
 190 192 196
 FC:2_N 90 UP 191
 192 193
 FNC:1_N 91 UP 191
 FNC:2_N 91 UP 193
 FNC:1_N 92 UP 188
 189 193
 FNC:2_N 92 UP 191
 192 193
 NEQV_p 75 GH UP
 OR_p 112 GD UP
 OR_N 189 190 191 192
 193
 SC22_p 112 GN UP
 247
 SC22_N 91 UP 196
 SC15_p 112 GJ UP
 191
 SC22_p 112 GL UP
 193



6A25	5329	
SC15 _p	3	
SC22 _p	4	
SC22 _N	5	
SC22 _N	6	FNC:22 _N
	7	SC22 _N
	8	FNC:15 _N
OR _p	13	
	15	FC:1 _N
NEQV _p	16	
AND _p	17	
	19	AND _N
	20	OR _N
	21	FC:2 _N
	23	FNC:1 _N
	24	FNC:2 _N

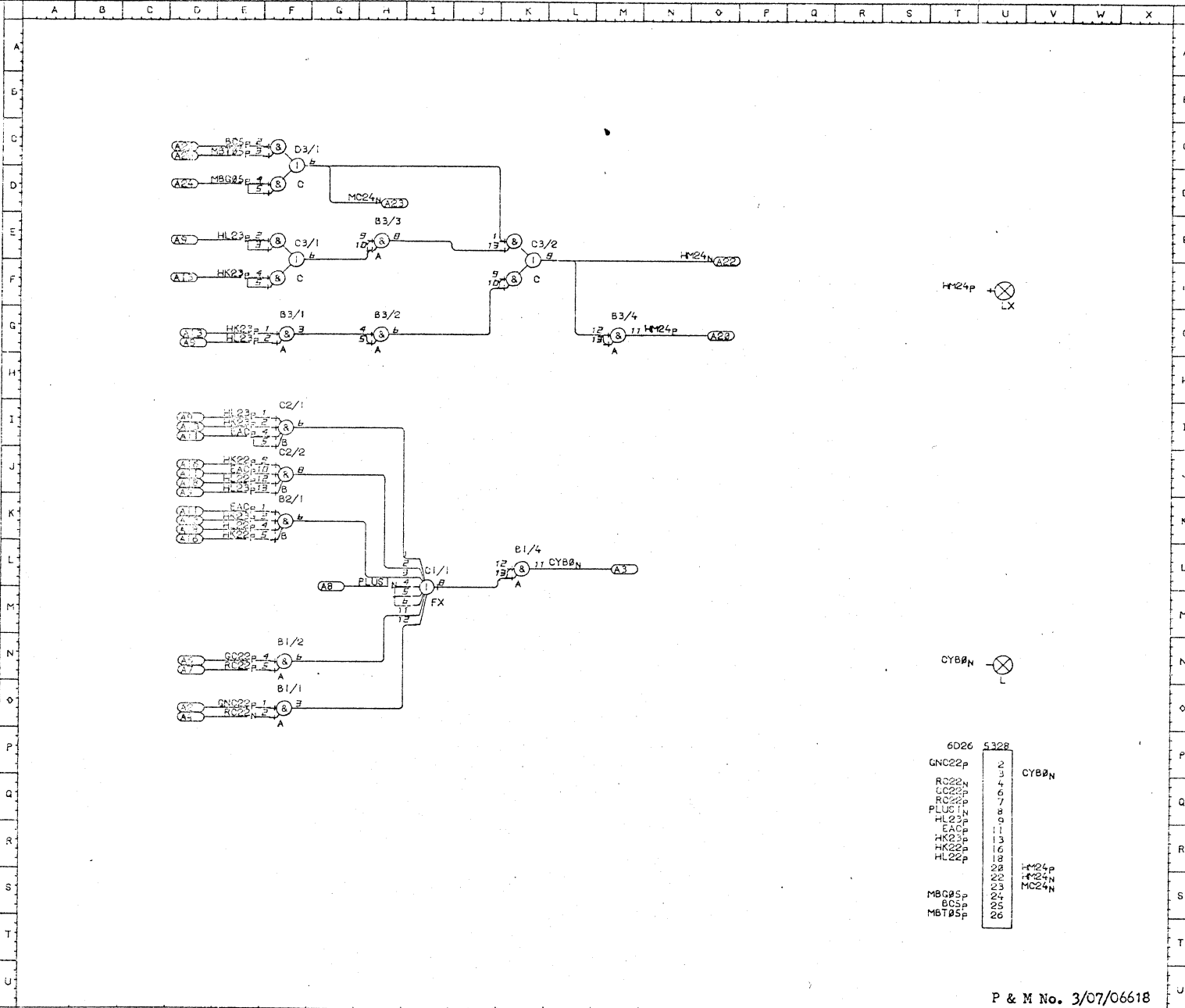
P & M No 3/07/06514
 WGH01***/0197

ISSUE: 155
 ACD: 2239

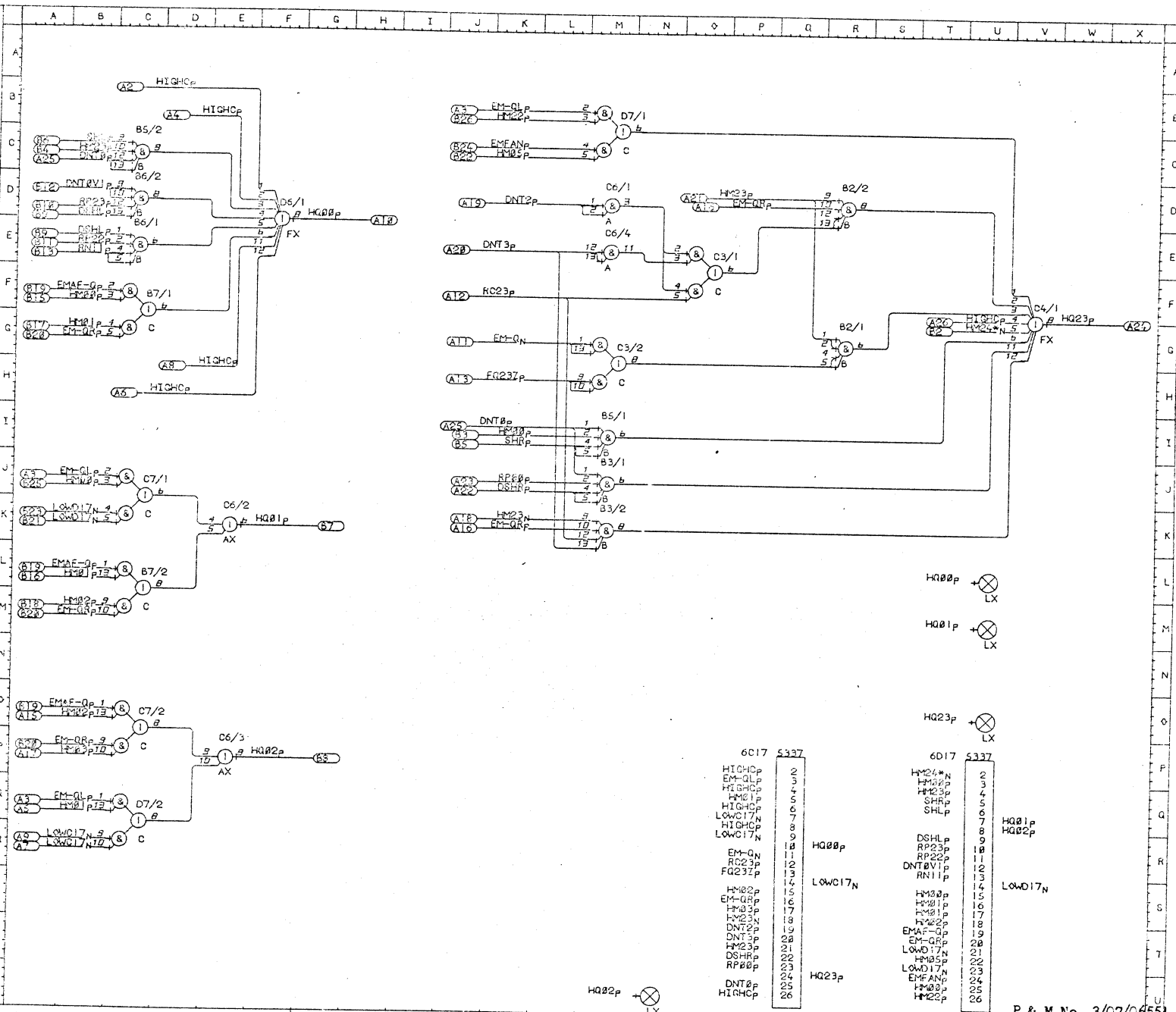
PKG MOD: 00
 ECC: 2239

24/09/69 MILL CONTROL

BC5p	196	FC	UP
CT8p	HL	LN	UP 196
CA0p	79	FI	FJ FK
CC2p	112	FN	UP
GNC22p	177	FJ	FK UP
HK22p	178	FE	FG F1
HL22p	186	FJ	FK UP
HL23p	187	FE	FG F1
HM24p	223	MF	UP 223
HM24p	226	OF	UP 226
HM24p	227		
MEG25p	193	FC	UP
ME73p	195	FC	UP
MC24p	HO	UP	226
PLUS1N	248	IL	UP
RC22p	226	FN	UP
RC22N	226	FO	UP



DNT1p 224 CC JI QP
 DNT1p 224 OD CP
 DNT1p 224 MO GP
 DNT3p 224 VE QP
 DSHLp 145 OD CP UP
 DSHR 42 MJ QP
 EM-QN 143 MG QP
 EM-QL 246 CJ CO MB
 EM-QL 246 CF CL CO
 EM-QL 246 OD CP
 EMAF-Q 223 OF CL CO
 UP
 EMANp 187 MB UP
 FG237p 181 MG QP
 HIGHCP 167 OB CH DB
 HQ01 194 QF VF
 HQ02 194 CF CJ MI
 HQ03 194 CF CL CO
 HQ04 194 CL CO QP
 HQ05 194 CO QP
 HQ06 194 MB UP
 HQ07 195 MB UP
 HQ08 195 CO QP
 UP
 HQ09 195 MK QP
 HQ10 223 UP VF
 HQ11 223 FD GP UL 153
 HQ12 224 227 215 222
 HQ13 227
 HQ14 227 EK UM UP 224
 HQ15 227 215 222 225
 HQ16 227
 HQ17 227 EP NU UP 224
 HQ18 227 215 222 225
 HQ19 227
 HQ20 227 VF QP UD 226
 HQ21 227 218 222 226
 HQ22 226
 LOWC17 226 QP CO
 LOWC17 226 UP CO
 RC23p 226 JF QP
 RN11p 221 CE UP
 RP80p 215 MJ QP
 RP22p 218 CE UP
 RP23p 218 OD UP
 SHLp 122 CO UP
 SHRp 97 MI UP

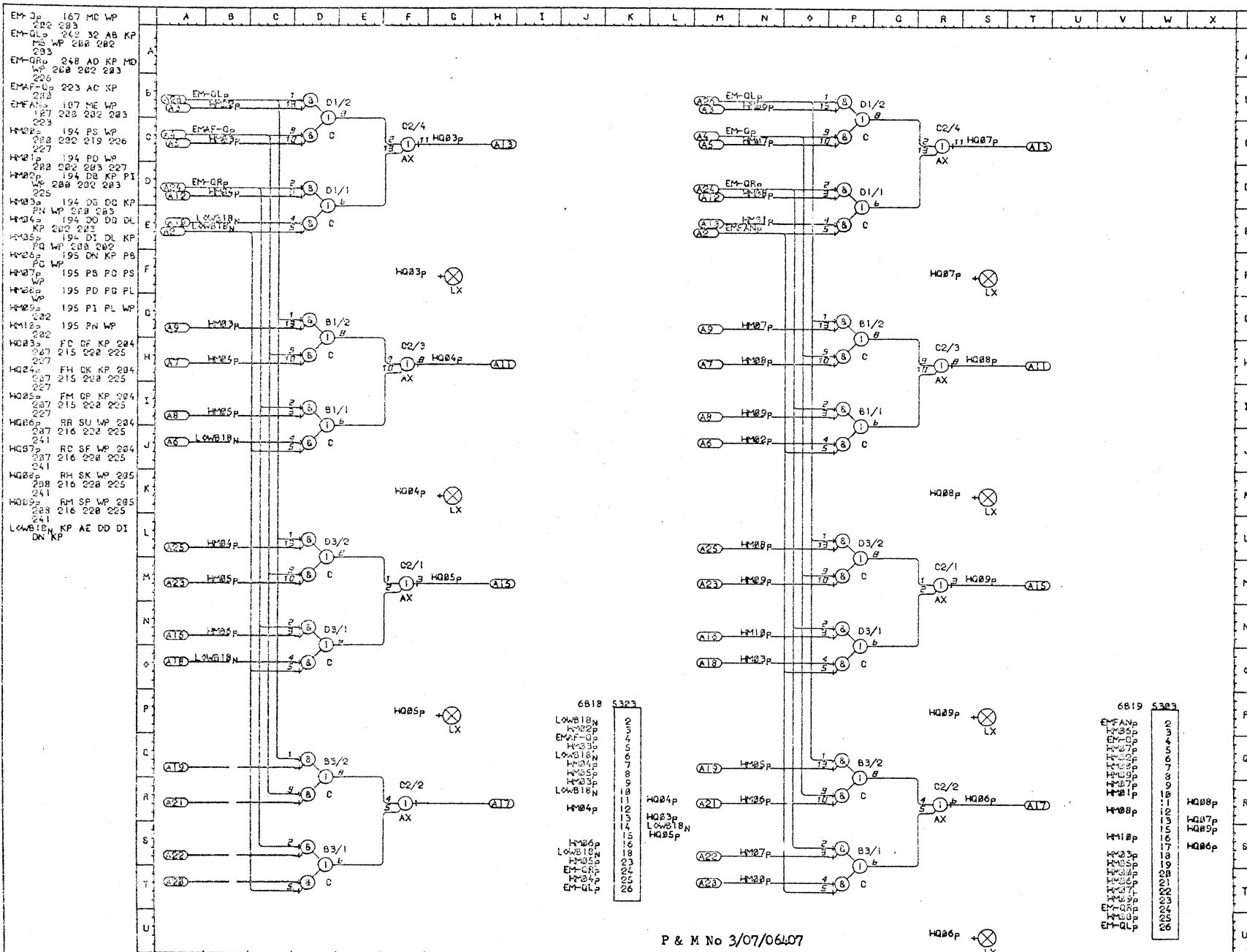


6C17	5337
HIGHCP	2
EM-QLP	3
HIGHCP	4
HMC1P	5
HIGHCP	6
LOWC17N	7
LOWC17N	8
HQ00p	9
EM-QN	10
RC23p	11
FG237p	12
HMC2P	13
EM-QRP	14
HMC3P	15
HMC3N	16
HMC3N	17
DNT2P	18
DNT3P	19
HMC3P	20
DSHR	21
RP80P	22
DNT0P	23
HIGHCP	24
HIGHCP	25
HIGHCP	26

6D17	5337
HMC24N	2
HMC2P	3
HMC3P	4
SHRp	5
SHLp	6
HQ01p	7
HQ02p	8
DSHLp	9
RP23p	10
RP22p	11
DNT8V1P	12
RN11p	13
LOWC17N	14
HMC30P	15
HMC31P	16
HMC31P	17
HMC3P	18
EMAF-Q	19
EM-QRP	20
LOWC17N	21
HMC35P	22
LOWC17N	23
EMANp	24
HMC3P	25
HMC3P	26

03/03/70 Q HIGHWAY (00-02,23) WGH01***/0200 P & M No. 3/07/0655

ISSUE:	TYPE	MOD:	TYPE	MOD:	TYPE	MOD:	TYPE	MOD:	TYPE	MOD:
1		00								
ACC: 2767	ECC:		ECC:		ECC:		ECC:		ECC:	



P & M No 3/07/06407

25/09/69 Q HIGHWAY (03-09)

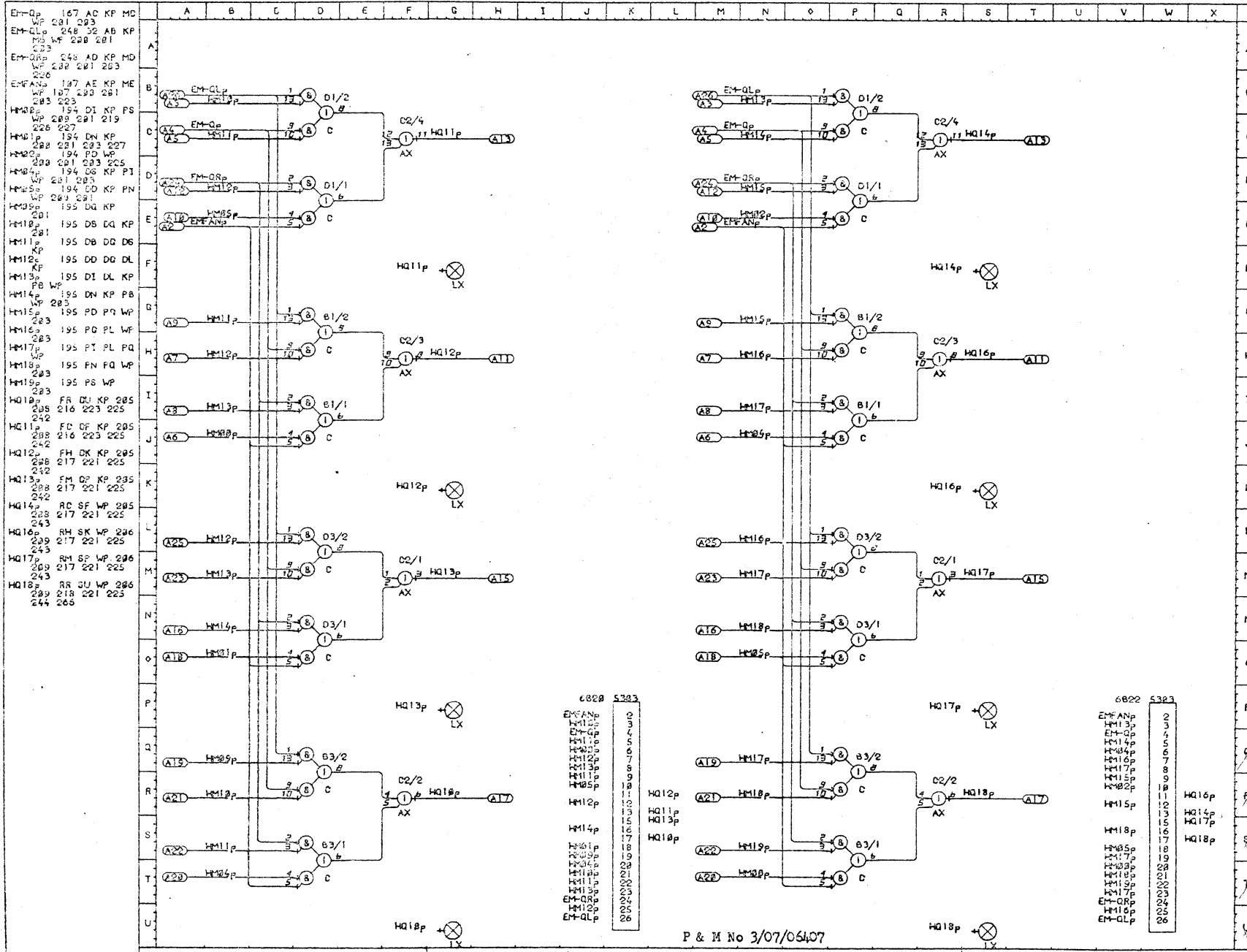
WGH01***/0201

ISSUE: 155
ADD: 2239

PKG MOD: CO
ECC: 2075

6818	5323
LOWB18N	2
HQ83p	3
EM-ARp	4
HQ83p	5
LOWB18N	6
HQ84p	7
HQ85p	8
LOWB18N	9
HQ84p	10
HQ85p	11
LOWB18N	12
HQ84p	13
HQ85p	14
HQ86p	15
LOWB18N	16
HQ86p	17
HQ87p	18
EM-GRp	19
HQ84p	20
EM-QLp	21
EM-GLp	22
EM-ARp	23
HQ84p	24
HQ85p	25
EM-QLp	26

6819	5303
EM-ARp	2
HQ83p	3
EM-GLp	4
HQ83p	5
HQ84p	6
HQ85p	7
HQ86p	8
HQ87p	9
HQ88p	10
HQ89p	11
HQ88p	12
HQ87p	13
HQ89p	14
HQ88p	15
HQ89p	16
HQ88p	17
HQ89p	18
HQ88p	19
HQ89p	20
HQ88p	21
HQ89p	22
HQ88p	23
HQ89p	24
HQ88p	25
HQ89p	26



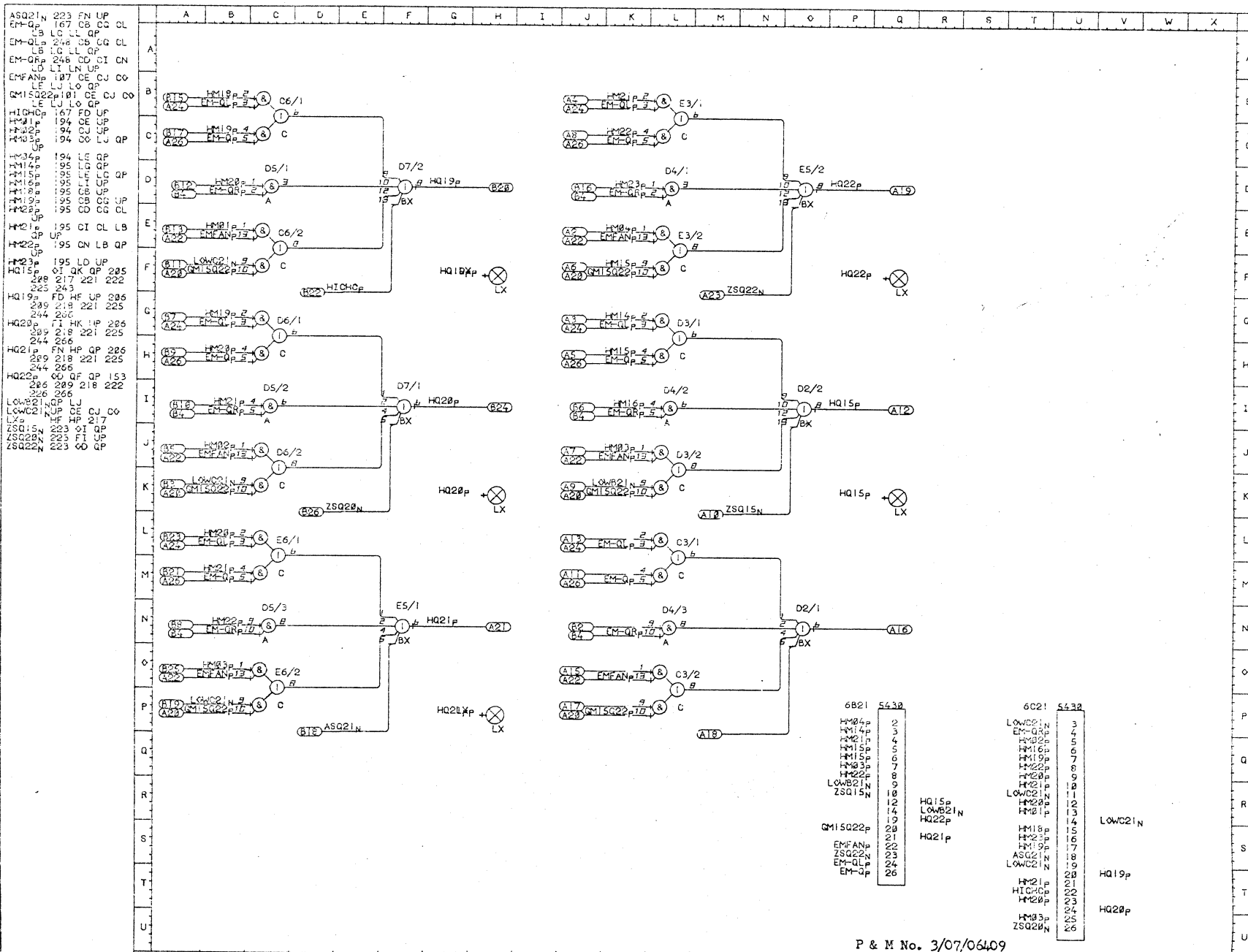
P & M No 3/07/06407

25/09/69 Q HIGHWAY (10-14, 16-18)

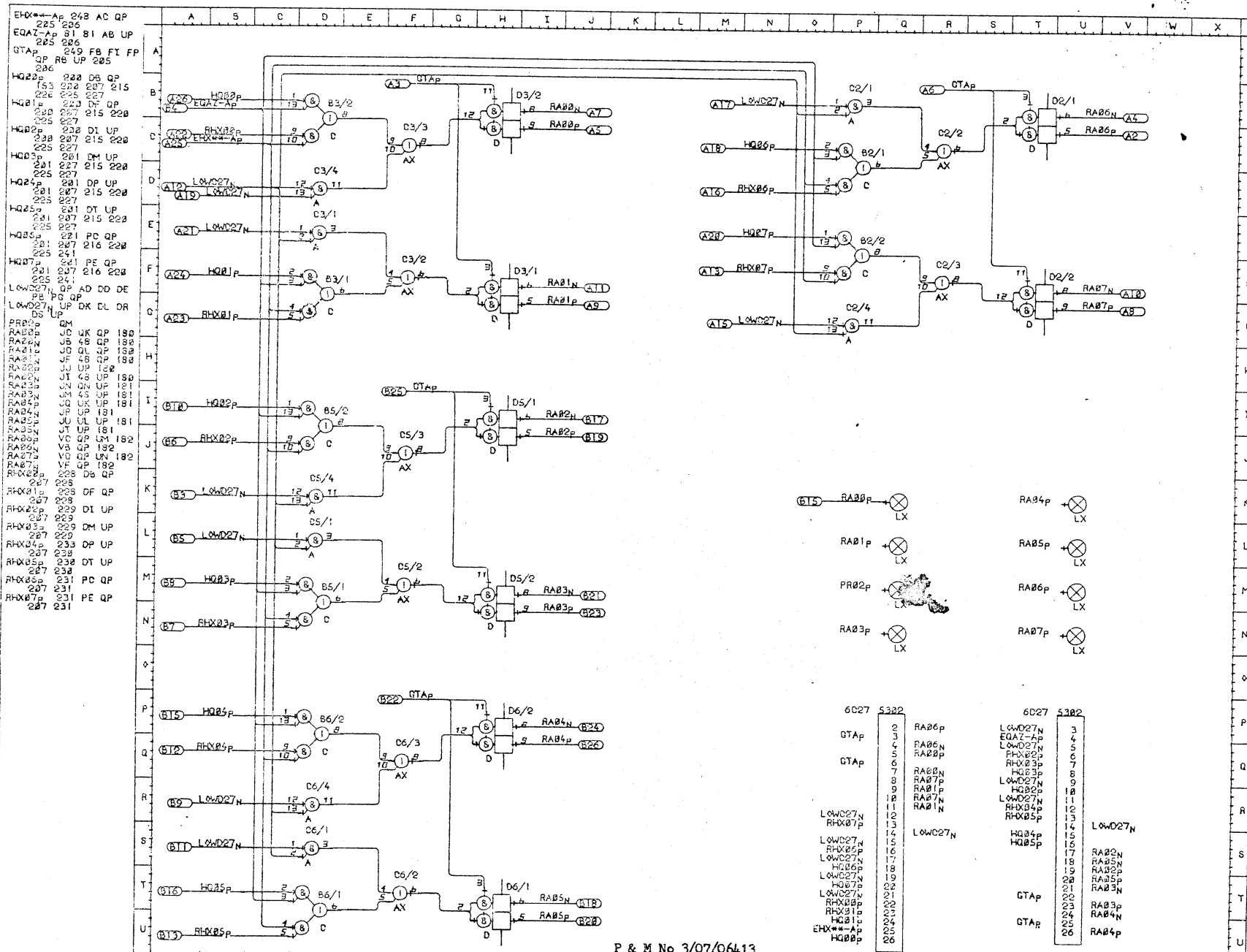
WEH01/0202

ISSUE: 155
ACD: 2239

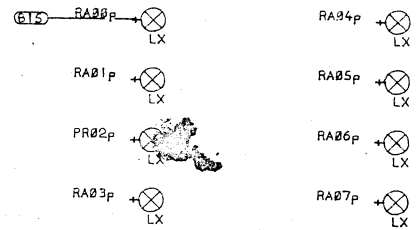
PKG MOD: 00
EOD: 2239



ISSUE: 1	TYPE MOD: 00	TYPE MOD: 00	TYPE MOD: 00	TYPE MOD: 00
ACD: 2767	ECC:	ECC:	ECC:	ECC:



EHX**Ap 248 AD QP
 225 226
 EQAZ-Ap 81 81 AB UP
 225 226
 GTAp 249 FB FT FP
 QP RB UP 205
 226
 HQ20p 228 DS QP
 153 222 227 215
 226 225 227
 HQ21p 223 DF UP
 225 226 215 220
 HQ22p 228 DI UP
 228 227 215 220
 HQ23p 225 DM UP
 221 227 215 220
 225 227
 HQ24p 221 DP UP
 221 227 215 220
 223 227
 HQ25p 221 DT UP
 221 227 215 220
 225 227
 HQ26p 221 PC QP
 221 227 216 220
 225 241
 HQ27p 221 PE QP
 221 227 216 220
 225 241
 LOWD27p PC AD DD DE
 PE PC QP
 LOWD27p UP DK CL OR
 DS UP
 PR20p QM
 RA20p JG QK QP 180
 RA21p JG QK QP 180
 RA21L JG QL QP 180
 RA21N JF QK QP 180
 RA22p JU UP 182
 RA23p JT 48 UP 180
 RA23p JN QN UP 181
 RA23N JM 45 UP 181
 RA24p JG QK UP 181
 RA24L JF UP 181
 RA25p JU UL UP 181
 RA25N JT UP 181
 RA26p VD QP LM 182
 RA26L VS QP 182
 RA27p VD QP LN 182
 RA27N VF QP 182
 RHX20p 225 DS QP
 227 228
 RHX21p 225 DF QP
 227 228
 RHX22p 225 DI UP
 227 228
 RHX23p 225 DM UP
 227 228
 RHX24p 225 DP UP
 227 228
 RHX25p 225 DT UP
 227 228
 RHX26p 225 PC QP
 227 231
 RHX27p 225 PE QP
 227 231



6C27 5302		6C27 5302	
0	RA06p	3	LOWD27N
1	EQAZ-Ap	4	RA06N
2	RA06N	5	LOWD27N
3	RA02P	6	RHX22p
4	RA02N	7	RHX23p
5	RA02P	8	HQ25p
6	RA02N	9	LOWD27N
7	RA07p	10	HQ22p
8	RA07p	11	LOWD27N
9	RA01P	12	RHX24p
10	RA07N	13	RHX25p
11	RA01N	14	RA01N
12	LOWD27N	15	HQ25p
13	RHX07P	16	HQ25p
14	LOWD27N	17	RA02N
15	RHX05P	18	RA02N
16	LOWD27N	19	RA02P
17	HQ26p	20	RA02P
18	LOWD27N	21	RA02N
19	HQ27p	22	RA03p
20	LOWD27N	23	RA04N
21	RHX00P	24	RA04N
22	RHX01P	25	RA04p
23	HQ21L	26	RA04p
24	EHX**Ap		
25	HQ20P		
26			

25/09/69

A REGISTER (00-07)

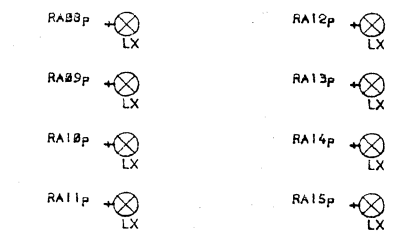
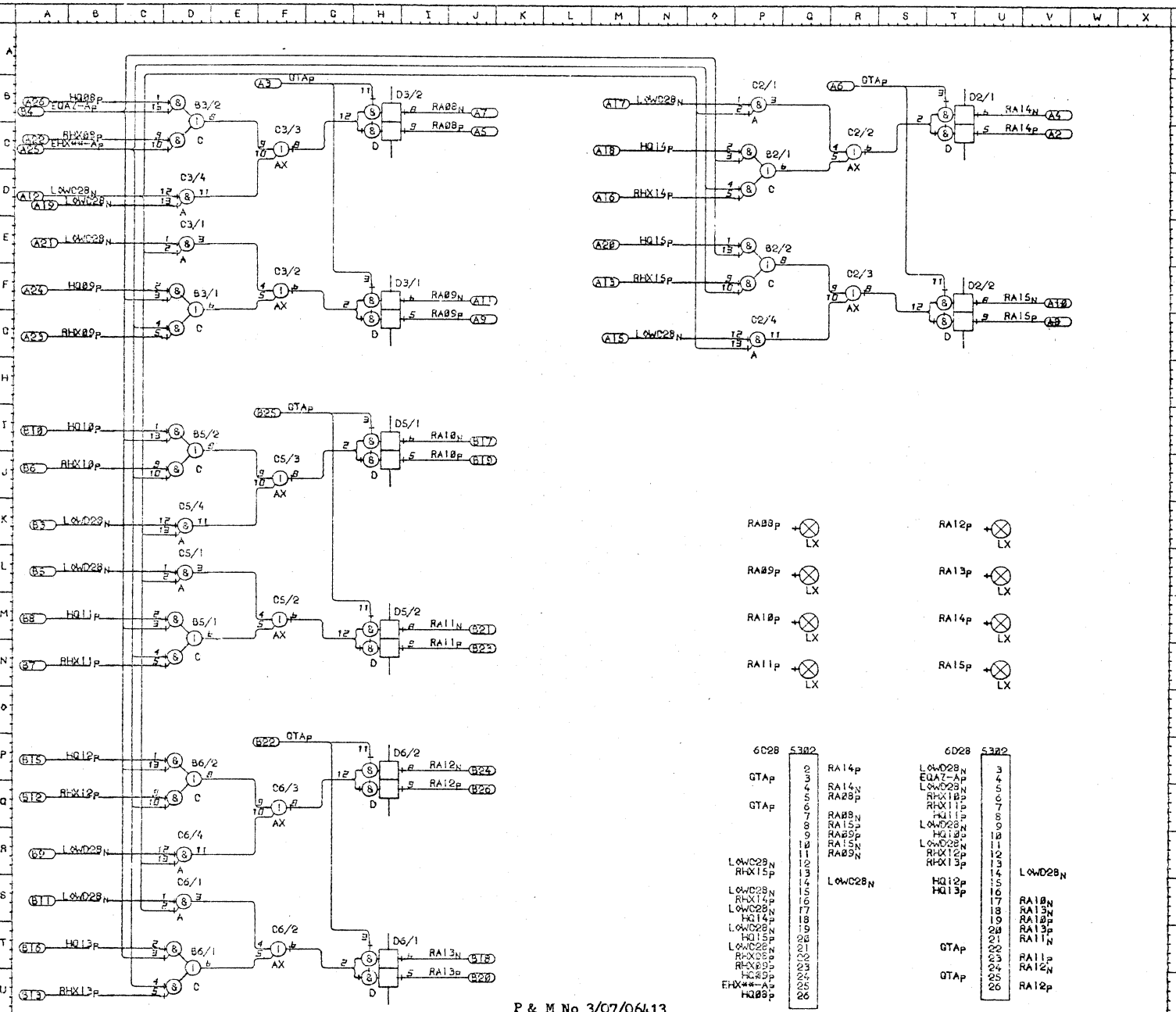
P & M No 3/07/06413

WGHO1***/0204

ISSUE: 155
ACD: 2.239

PKG MOD: 00
ECC: 2.239

EQX**Ap 218 AC QP
 204 200
 EQAZ-AP 81 81 AB UP
 204 200
 QTA 203 FB FI FP
 QP RB UP 204
 206
 HQ8P 201 D8 GP
 201 200 216 220
 205 201
 HQ2P 201 DF QP
 201 200 216 220
 205 201
 HQ10P 202 DI UP
 202 200 216 223
 205 202
 HQ11P 202 DM UP
 202 200 216 223
 205 202
 HQ12P 202 DP UP
 202 200 217 221
 205 202
 HQ13P 202 DT UP
 202 200 217 221
 205 202
 HQ14P 202 PC QP
 202 200 217 221
 205 202
 HQ15P 203 PE QP
 203 200 217 221
 205 203
 LOWC28N CP AD DD DE
 FB PG QP
 LOWC28N UP DK DL DR
 OS UP
 RAB9P JC QK QP 182
 205
 RAB8N JB QP 182
 RAD9P JD QL QP 183
 RAD9N JF QP 183
 RA10P JJ QM UP 183
 RA10N JI UP 183
 RA11P JN QN UP 183
 RA11N JM UP 183
 RA12P JQ UK UP 184
 RA12N JP UP 184
 RA13P JU UL UP 184
 RA13N JV UP 184
 RA14P VC QP UM 184
 RA14N VB QP 184
 RA15P VD QP UN 185
 RA15N VE QP 185
 RHX8P 230 DB QP
 208
 RHX9P 230 DF QP
 208
 RHX10P 233 DI UP
 208
 RHX11P 233 DM UP
 208
 RHX12P 234 DP UP
 208
 RHX13P 234 DT UP
 208
 RHX14P 235 PC QP
 208
 RHX15P 235 PE QP
 208



6C28	5302	6D28	5302
GTAp	2	RA14p	3
	3	RA14N	4
	4	RA29p	5
	5	RA29N	6
	6	RAB9N	7
	7	RA15p	8
	8	RA15N	9
	9	RAD9N	10
	10	RA12p	11
	11	RA12N	12
	12	RHX12p	13
	13	RHX13p	14
	14	HQ12p	15
	15	HQ13p	16
	16	RA10N	17
	17	RA13N	18
	18	RA13p	19
	19	RA11N	20
	20	RA11p	21
	21	RA12N	22
	22	RA12p	23
	23		24
	24		25
	25		26
	26		

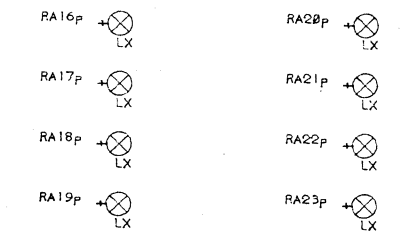
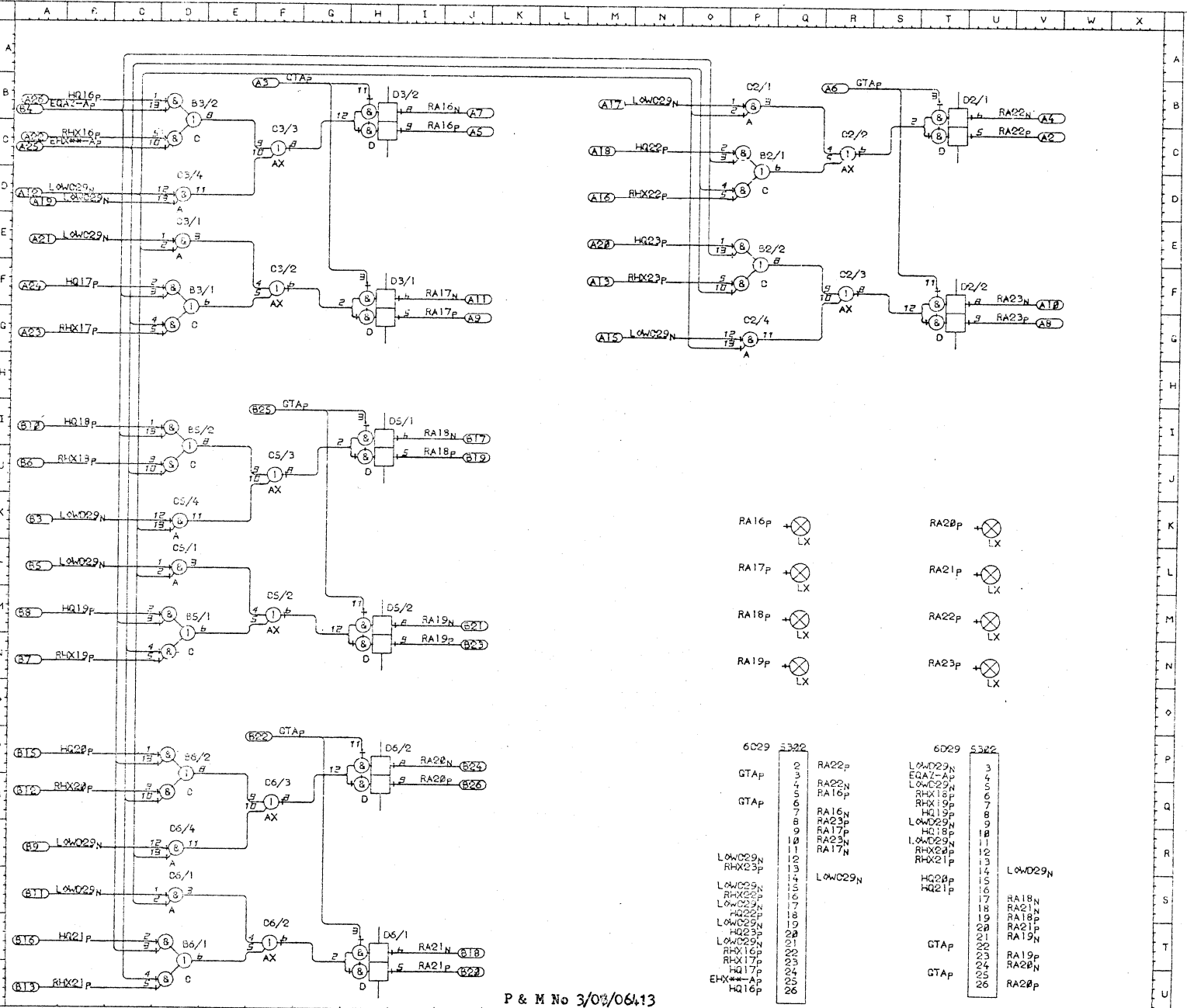
P & M No 3/07/06413

25/09/69 A REGISTER (08-15) WGH01***/0205

ISSUE: 155
ACD: 2239

PKG MOD: 00
ECC: 2206

EHX-Ap 248 AC QP
 284 285
 EQAZ-Ap 81 B1 AB UP
 284 285
 GTAp 249 F6 FI FP
 QP RB UP 284
 285
 HQ16p 292 DB QP
 292 293 217 221
 225 243
 HQ17p 292 DF QP
 292 293 217 221
 225 243
 HQ18p 292 DT UP
 292 293 218 221
 225 244 266
 HQ19p 293 DM UP
 293 294 218 221
 225 244 266
 HQ20p 293 DP UP
 293 294 218 221
 225 244 266
 HQ21p 293 DT UP
 293 294 218 221
 225 244 266
 HQ22p 293 F2 QP
 153 293 218 218
 222 226 266
 HQ23p 293 PE QP
 293 294 218 222
 226 263
 LOWC29N QF AD DD DE
 29 PO QP
 LOWC29N UP DX DL DR
 29 UP
 RA16p JQ QX QF 185
 RA16N JQ QX QF 185
 RA17p JQ QX QF 185
 RA17N JQ QX QF 185
 RA18p JQ QX QF 186
 RA18N JQ QX QF 186
 RA19p JQ QX QF 186
 RA19N JQ QX QF 186
 RA20p JQ QX QF 187
 RA20N JQ QX QF 187
 RA21p JQ QX QF 187
 RA21N JQ QX QF 187
 RA22p JQ QX QF 186
 RA22N JQ QX QF 186
 RA23p JQ QX QF 186
 RA23N JQ QX QF 186
 RA24p JQ QX QF 186
 RA24N JQ QX QF 186
 RA25p JQ QX QF 186
 RA25N JQ QX QF 186
 RA26p JQ QX QF 186
 RA26N JQ QX QF 186
 RA27p JQ QX QF 186
 RA27N JQ QX QF 186
 RA28p JQ QX QF 186
 RA28N JQ QX QF 186
 RA29p JQ QX QF 186
 RA29N JQ QX QF 186
 RA30p JQ QX QF 186
 RA30N JQ QX QF 186
 RA31p JQ QX QF 186
 RA31N JQ QX QF 186
 RA32p JQ QX QF 186
 RA32N JQ QX QF 186
 RA33p JQ QX QF 186
 RA33N JQ QX QF 186
 RA34p JQ QX QF 186
 RA34N JQ QX QF 186
 RA35p JQ QX QF 186
 RA35N JQ QX QF 186
 RA36p JQ QX QF 186
 RA36N JQ QX QF 186
 RA37p JQ QX QF 186
 RA37N JQ QX QF 186
 RA38p JQ QX QF 186
 RA38N JQ QX QF 186
 RA39p JQ QX QF 186
 RA39N JQ QX QF 186
 RA40p JQ QX QF 186
 RA40N JQ QX QF 186
 RA41p JQ QX QF 186
 RA41N JQ QX QF 186
 RA42p JQ QX QF 186
 RA42N JQ QX QF 186
 RA43p JQ QX QF 186
 RA43N JQ QX QF 186
 RA44p JQ QX QF 186
 RA44N JQ QX QF 186
 RA45p JQ QX QF 186
 RA45N JQ QX QF 186
 RA46p JQ QX QF 186
 RA46N JQ QX QF 186
 RA47p JQ QX QF 186
 RA47N JQ QX QF 186
 RA48p JQ QX QF 186
 RA48N JQ QX QF 186
 RA49p JQ QX QF 186
 RA49N JQ QX QF 186
 RA50p JQ QX QF 186
 RA50N JQ QX QF 186
 RA51p JQ QX QF 186
 RA51N JQ QX QF 186
 RA52p JQ QX QF 186
 RA52N JQ QX QF 186
 RA53p JQ QX QF 186
 RA53N JQ QX QF 186
 RA54p JQ QX QF 186
 RA54N JQ QX QF 186
 RA55p JQ QX QF 186
 RA55N JQ QX QF 186
 RA56p JQ QX QF 186
 RA56N JQ QX QF 186
 RA57p JQ QX QF 186
 RA57N JQ QX QF 186
 RA58p JQ QX QF 186
 RA58N JQ QX QF 186
 RA59p JQ QX QF 186
 RA59N JQ QX QF 186
 RA60p JQ QX QF 186
 RA60N JQ QX QF 186
 RA61p JQ QX QF 186
 RA61N JQ QX QF 186
 RA62p JQ QX QF 186
 RA62N JQ QX QF 186
 RA63p JQ QX QF 186
 RA63N JQ QX QF 186
 RA64p JQ QX QF 186
 RA64N JQ QX QF 186
 RA65p JQ QX QF 186
 RA65N JQ QX QF 186
 RA66p JQ QX QF 186
 RA66N JQ QX QF 186
 RA67p JQ QX QF 186
 RA67N JQ QX QF 186
 RA68p JQ QX QF 186
 RA68N JQ QX QF 186
 RA69p JQ QX QF 186
 RA69N JQ QX QF 186
 RA70p JQ QX QF 186
 RA70N JQ QX QF 186
 RA71p JQ QX QF 186
 RA71N JQ QX QF 186
 RA72p JQ QX QF 186
 RA72N JQ QX QF 186
 RA73p JQ QX QF 186
 RA73N JQ QX QF 186
 RA74p JQ QX QF 186
 RA74N JQ QX QF 186
 RA75p JQ QX QF 186
 RA75N JQ QX QF 186
 RA76p JQ QX QF 186
 RA76N JQ QX QF 186
 RA77p JQ QX QF 186
 RA77N JQ QX QF 186
 RA78p JQ QX QF 186
 RA78N JQ QX QF 186
 RA79p JQ QX QF 186
 RA79N JQ QX QF 186
 RA80p JQ QX QF 186
 RA80N JQ QX QF 186
 RA81p JQ QX QF 186
 RA81N JQ QX QF 186
 RA82p JQ QX QF 186
 RA82N JQ QX QF 186
 RA83p JQ QX QF 186
 RA83N JQ QX QF 186
 RA84p JQ QX QF 186
 RA84N JQ QX QF 186
 RA85p JQ QX QF 186
 RA85N JQ QX QF 186
 RA86p JQ QX QF 186
 RA86N JQ QX QF 186
 RA87p JQ QX QF 186
 RA87N JQ QX QF 186
 RA88p JQ QX QF 186
 RA88N JQ QX QF 186
 RA89p JQ QX QF 186
 RA89N JQ QX QF 186
 RA90p JQ QX QF 186
 RA90N JQ QX QF 186
 RA91p JQ QX QF 186
 RA91N JQ QX QF 186
 RA92p JQ QX QF 186
 RA92N JQ QX QF 186
 RA93p JQ QX QF 186
 RA93N JQ QX QF 186
 RA94p JQ QX QF 186
 RA94N JQ QX QF 186
 RA95p JQ QX QF 186
 RA95N JQ QX QF 186
 RA96p JQ QX QF 186
 RA96N JQ QX QF 186
 RA97p JQ QX QF 186
 RA97N JQ QX QF 186
 RA98p JQ QX QF 186
 RA98N JQ QX QF 186
 RA99p JQ QX QF 186
 RA99N JQ QX QF 186
 RA100p JQ QX QF 186
 RA100N JQ QX QF 186



6C29	5322	RA22p	6D29	5322	LOWC29N	3
GTAp	2	RA22N	EQAZ-Ap	4	LOWC29N	4
GTAp	3	RA16p	EQAZ-Ap	5	LOWC29N	5
	4		EQAZ-Ap	6	LOWC29N	6
	5		EQAZ-Ap	7	LOWC29N	7
	6		EQAZ-Ap	8	LOWC29N	8
	7		EQAZ-Ap	9	LOWC29N	9
	8		EQAZ-Ap	10	LOWC29N	10
	9		EQAZ-Ap	11	LOWC29N	11
	10		EQAZ-Ap	12	LOWC29N	12
	11		EQAZ-Ap	13	LOWC29N	13
	12		EQAZ-Ap	14	LOWC29N	14
	13		EQAZ-Ap	15	LOWC29N	15
	14		EQAZ-Ap	16	LOWC29N	16
	15		EQAZ-Ap	17	LOWC29N	17
	16		EQAZ-Ap	18	LOWC29N	18
	17		EQAZ-Ap	19	LOWC29N	19
	18		EQAZ-Ap	20	LOWC29N	20
	19		EQAZ-Ap	21	LOWC29N	21
	20		EQAZ-Ap	22	LOWC29N	22
	21		EQAZ-Ap	23	LOWC29N	23
	22		EQAZ-Ap	24	LOWC29N	24
	23		EQAZ-Ap	25	LOWC29N	25
	24		EQAZ-Ap	26	LOWC29N	26
	25		EQAZ-Ap			
	26		EQAZ-Ap			

P & M No 3/01/06113

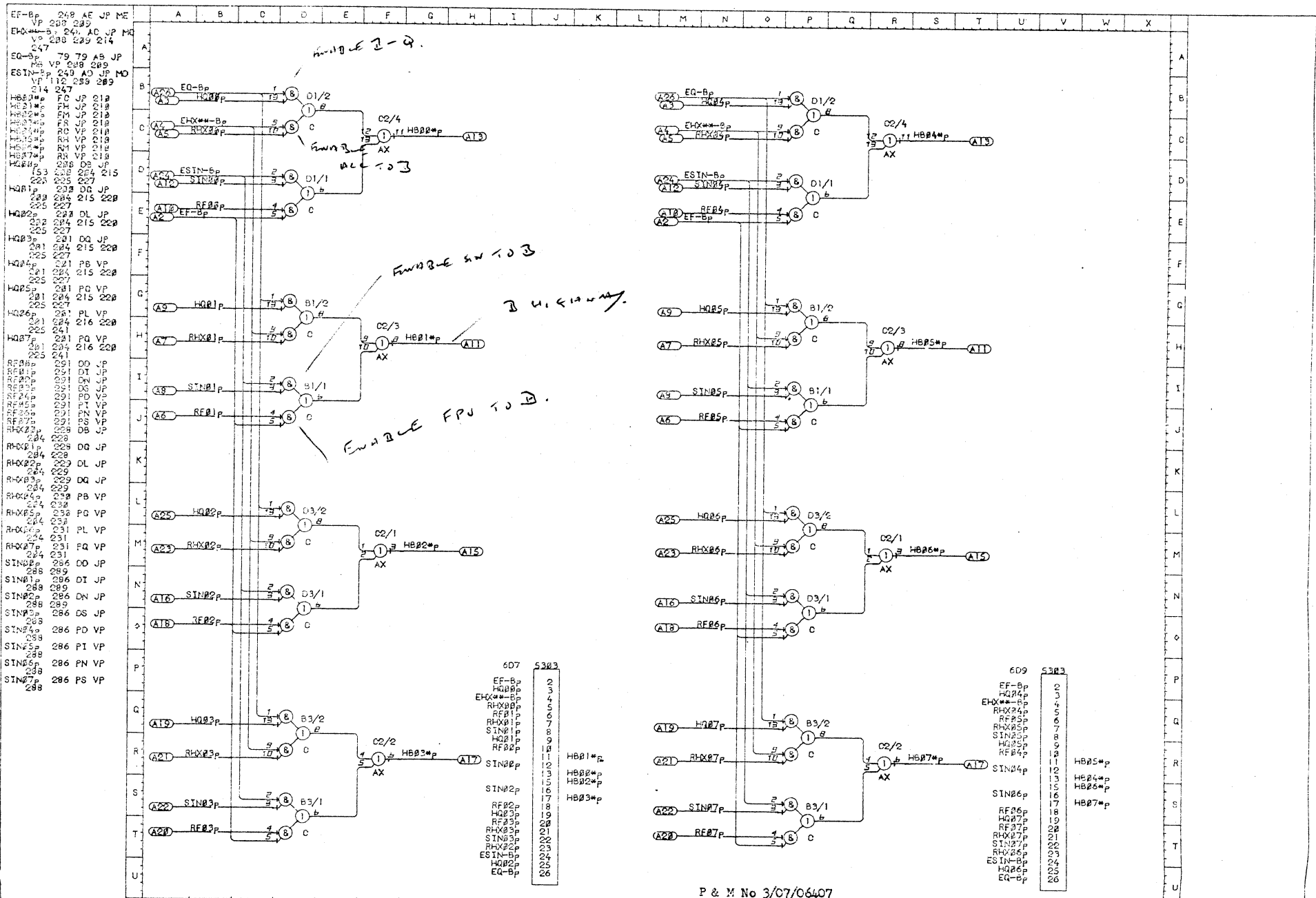
02/10/69

A REGISTER (16-23)

WGH01***/0206

ISSUE: 155
ACD: 2239

PKG MOD: 00
ECC: 2006



02/10/69

B REGISTER GATES (00-07)

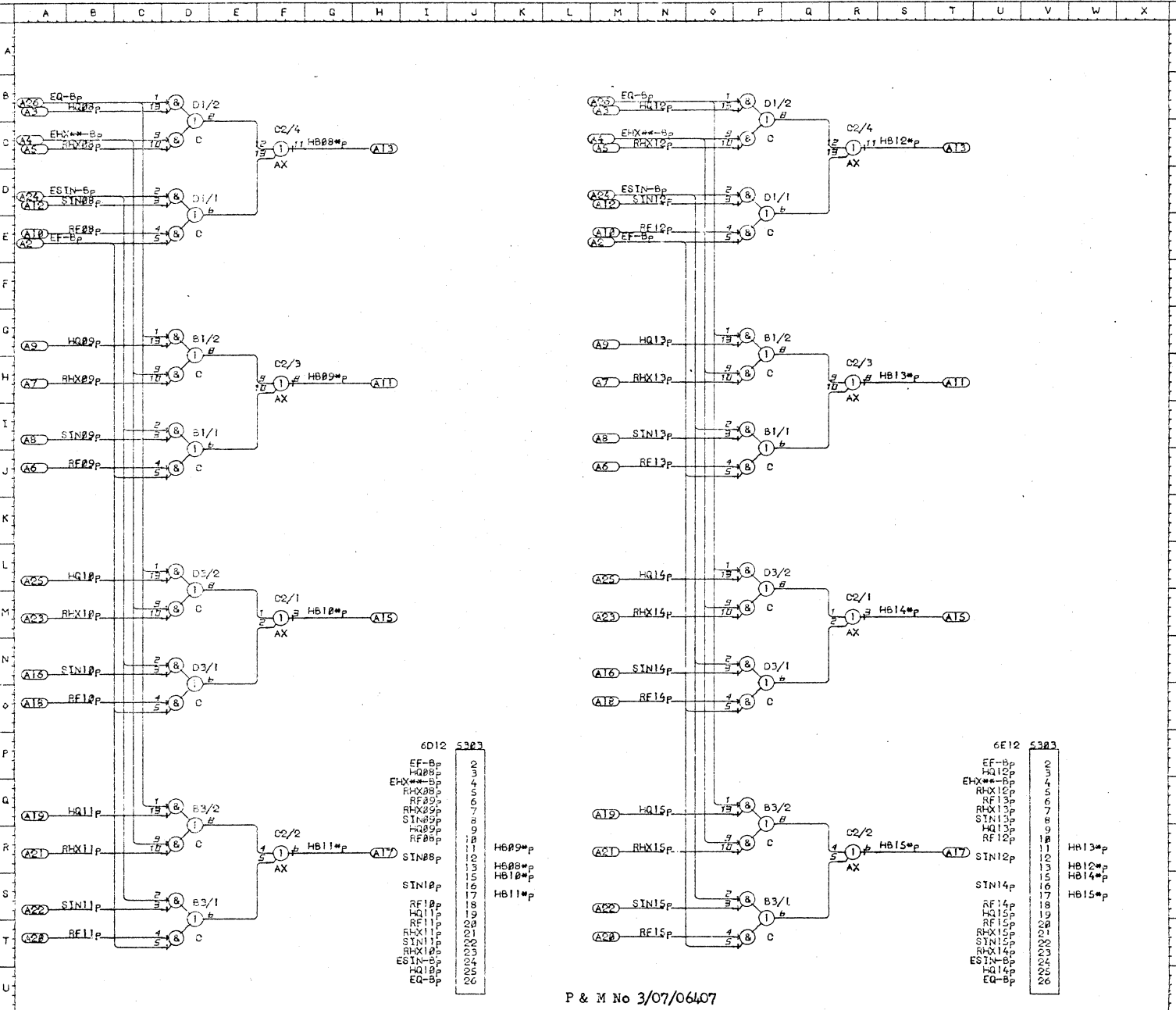
WGH01***/0207

ISSUE: ISS
ACD: 2.239

PKG MOD: 00
ECC: 2366

P & M No 3/07/06407

EF-Bp 244 AE JP ME
 VP 287 289
 EH-X-Bp 244 AC JP MG
 VP 287 289 214
 EQ-Bp 79 79 AS JP
 VP 287 289
 ESIN-Bp 248 AD JP MD
 VP 110 287 289
 HB10p 214 214
 HB11p 214 214
 HB12p 214 214
 HB13p 214 214
 HB14p 214 214
 HB15p 214 214
 HB16p 214 214
 HB17p 214 214
 HB18p 214 214
 HB19p 214 214
 HB20p 214 214
 HQ10p 281 281
 HQ11p 281 281
 HQ12p 281 281
 HQ13p 281 281
 HQ14p 281 281
 HQ15p 281 281
 HQ16p 281 281
 HQ17p 281 281
 HQ18p 281 281
 HQ19p 281 281
 HQ20p 281 281
 RH-X-Bp 232 232
 RH-X10p 233 233
 RH-X11p 233 233
 RH-X12p 234 234
 RH-X13p 234 234
 RH-X14p 234 234
 RH-X15p 235 235
 SIN10p 286 286
 SIN11p 286 286
 SIN12p 286 286
 SIN13p 286 286
 SIN14p 286 286
 SIN15p 286 286
 SIN16p 286 286
 SIN17p 286 286
 SIN18p 286 286
 SIN19p 286 286
 SIN20p 286 286



6D12	5303
EF-Bp	2
HQ10p	3
EH-X-Bp	4
RH-X-Bp	5
RF10p	6
RH-X10p	7
SIN10p	8
HQ11p	9
RH-X11p	10
SIN11p	11
RF11p	12
RH-X12p	13
SIN12p	14
HQ12p	15
RH-X13p	16
SIN13p	17
RF12p	18
HQ13p	19
RH-X14p	20
SIN14p	21
RF13p	22
HQ14p	23
RH-X15p	24
SIN15p	25
RF14p	26

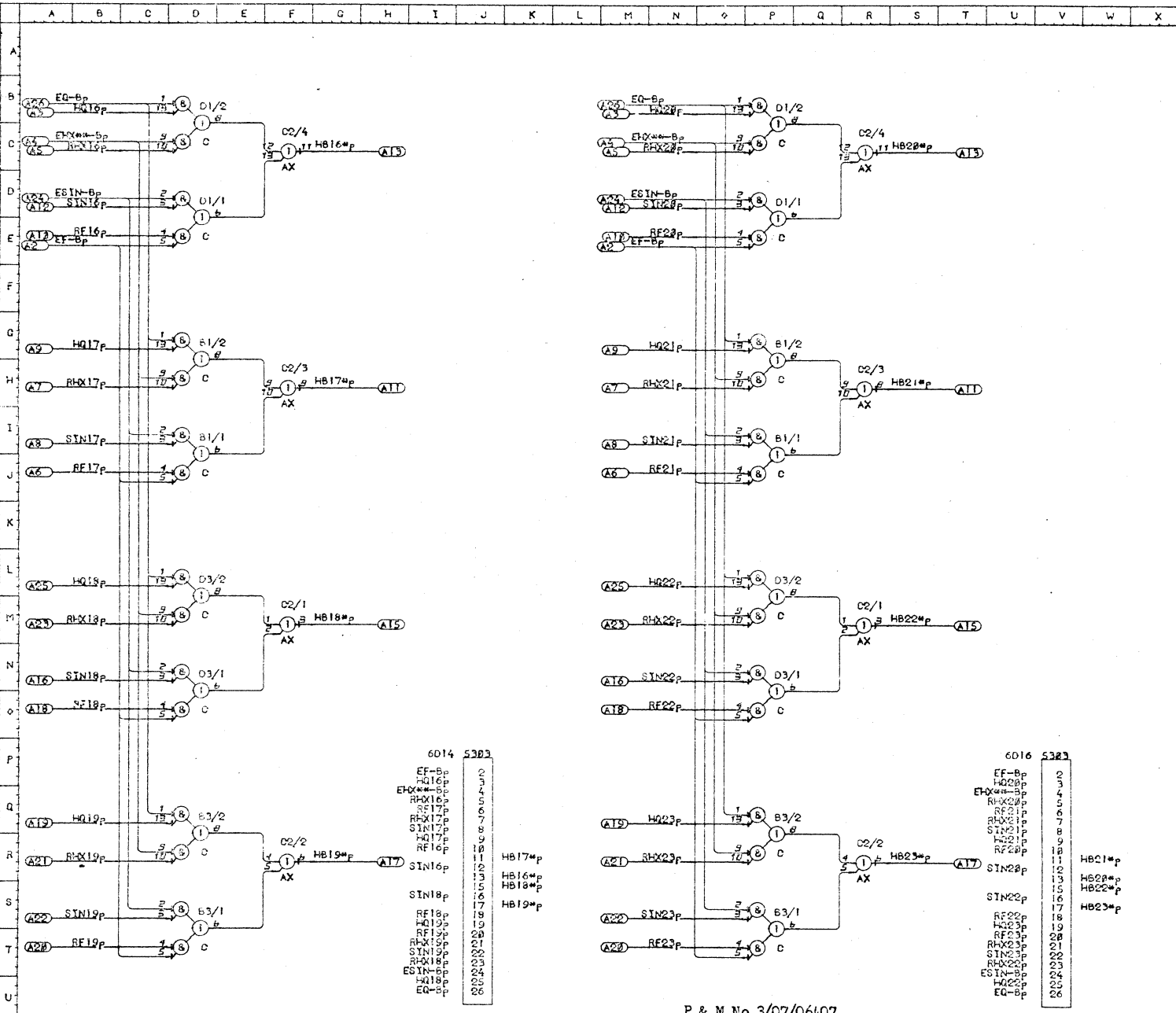
6E12	5303
EF-Bp	2
HQ12p	3
EH-X-Bp	4
RH-X12p	5
RF13p	6
RH-X13p	7
SIN13p	8
HQ13p	9
RH-X14p	10
SIN14p	11
RF14p	12
HQ14p	13
RH-X15p	14
SIN15p	15
RF15p	16
HQ15p	17
RH-X16p	18
SIN16p	19
RF16p	20
HQ16p	21
RH-X17p	22
SIN17p	23
RF17p	24
HQ17p	25
RH-X18p	26

P & M No 3/07/06407

02/10/69 B REGISTER GATES (08-15) WGH01***/0208

ISSUE: 155 PKG MOD: 00
 ACD: 2239 ECC: 55

EF-5p 048 AE JP ME
 VP 237 238
 EHx4-Bp 043 AC JP MC
 VP 237 238 214
 247
 EQ-6p 79 79 AB JP
 HA VP 207 208
 ESTN-Bp 248 AD JP MD
 VP 112 207 238
 214 247
 HB16p FC JP 116
 212
 HB17p FH JP 116
 212
 HB18p FM JP 116
 212
 HB19p FR JP 116
 212
 HS20p RC VP 116
 212
 HB21p RH VP 212
 HB22p RM VP 212
 HB23p RR VP 212
 HQ10p 202 DB JP
 222 266 217 221
 222 243
 HQ17p 202 DG JP
 222 243 217 221
 HQ18p 202 DL JP
 222 243 218 221
 HQ19p 202 DM JP
 222 243 218 221
 HQ20p 203 FB VP
 222 244 266
 HQ21p 203 FC VP
 222 244 266
 HQ22p 203 PL VP
 222 244 266
 HQ23p 203 QD VP
 222 244 266
 HQ24p 203 RE VP
 222 244 266
 RF16p 291 DO JP
 291 291
 RF17p 291 DI JP
 291 291
 RF18p 291 DN JP
 291 291
 RF19p 291 DP JP
 291 291
 RF20p 291 DP VP
 291 291
 RF21p 291 PI VP
 291 291
 RF22p 291 PN VP
 291 291
 RF23p 291 PO VP
 291 291
 RHX16p 236 DE JP
 236 236
 RHX17p 236 DG JP
 236 236
 RHX18p 237 DL JP
 236 237
 RHX19p 237 DQ JP
 236 237
 RHX20p 237 DP VP
 236 237
 RHX21p 238 FE VP
 236 238
 RHX22p 238 FC VP
 236 238
 RHX23p 239 FG VP
 236 239
 SIN16p 286 DO JP
 286 286
 SIN17p 286 DI JP
 286 286
 SIN18p 286 DN JP
 286 286
 SIN19p 286 DP VP
 286 286
 SIN20p 286 PI VP
 286 286
 SIN21p 286 PN VP
 286 286
 SIN22p 286 PS VP
 286 286



6014	5303
2	EF-6p
3	HQ16p
4	EHx4-Bp
5	RHX16p
6	RF17p
7	RHX17p
8	SIN17p
9	HQ17p
10	RF16p
11	SIN16p
12	HB17* _p
13	HB16* _p
14	HB18* _p
15	HB19* _p
16	
17	SIN18p
18	RF18p
19	HQ19p
20	RF19p
21	RHX19p
22	SIN19p
23	RHX18p
24	ESIN-Bp
25	HQ18p
26	EQ-6p

6016	5303
2	EF-6p
3	HQ20p
4	EHx4-Bp
5	RHX20p
6	RF21p
7	RHX21p
8	SIN21p
9	HQ21p
10	RF20p
11	SIN20p
12	HB21* _p
13	HB20* _p
14	HB22* _p
15	
16	SIN22p
17	RF22p
18	HQ22p
19	HQ23p
20	RF23p
21	RHX23p
22	SIN23p
23	RHX22p
24	ESIN-Bp
25	HQ22p
26	EQ-6p

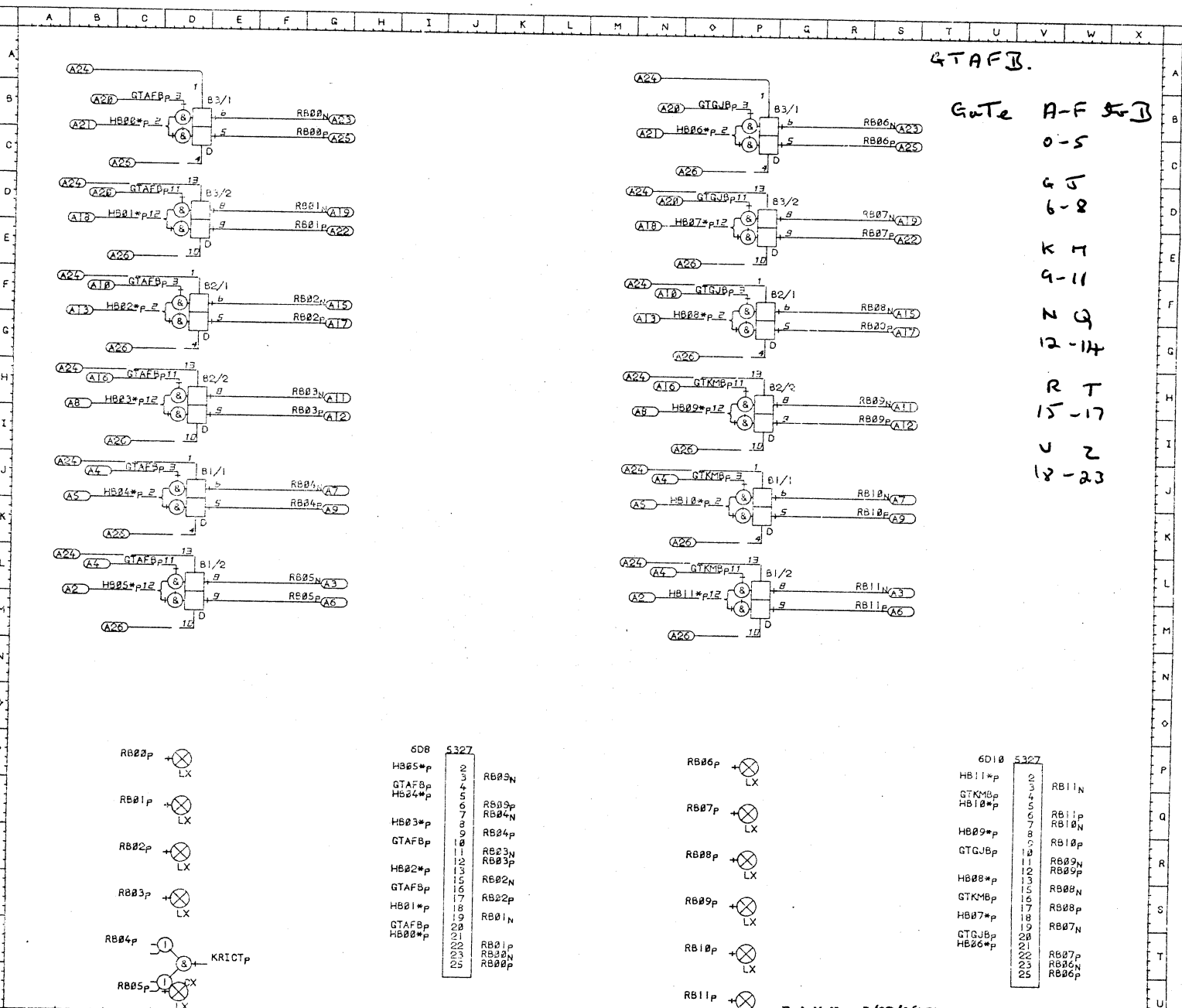
P & M No 3/07/06407

02/10/69 B REGISTER GATES (16-23) WGH01***/0209

ISSUE: 155
 AGO: 2239

PKG MOD: 00
 ECC: 2006

GTAFBp	250	DB	DD	DF
GTGJBp	250	PS	PD	PF
GTKMBp	250	PH	PJ	PL
HB00*p	247	DB	JP	
HB01*p	247	DB	JP	
HB02*p	247	DB	JP	
HB03*p	247	DB	JP	
HB04*p	247	DB	JP	
HB05*p	247	DB	JP	
HB06*p	247	DB	JP	
HB07*p	247	DB	JP	
HB08*p	247	DB	JP	
HB09*p	247	DB	JP	
HB10*p	247	DB	JP	
HB11*p	247	DB	JP	
HB12*p	247	DB	JP	
HB13*p	247	DB	JP	
HB14*p	247	DB	JP	
HB15*p	247	DB	JP	
HB16*p	247	DB	JP	
HB17*p	247	DB	JP	
HB18*p	247	DB	JP	
HB19*p	247	DB	JP	
HB20*p	247	DB	JP	
HB21*p	247	DB	JP	
HB22*p	247	DB	JP	
HB23*p	247	DB	JP	
HB24*p	247	DB	JP	
HB25*p	247	DB	JP	
HB26*p	247	DB	JP	
HB27*p	247	DB	JP	
HB28*p	247	DB	JP	
HB29*p	247	DB	JP	
HB30*p	247	DB	JP	
HB31*p	247	DB	JP	
HB32*p	247	DB	JP	
HB33*p	247	DB	JP	
HB34*p	247	DB	JP	
HB35*p	247	DB	JP	
HB36*p	247	DB	JP	
HB37*p	247	DB	JP	
HB38*p	247	DB	JP	
HB39*p	247	DB	JP	
HB40*p	247	DB	JP	
HB41*p	247	DB	JP	
HB42*p	247	DB	JP	
HB43*p	247	DB	JP	
HB44*p	247	DB	JP	
HB45*p	247	DB	JP	
HB46*p	247	DB	JP	
HB47*p	247	DB	JP	
HB48*p	247	DB	JP	
HB49*p	247	DB	JP	
HB50*p	247	DB	JP	
HB51*p	247	DB	JP	
HB52*p	247	DB	JP	
HB53*p	247	DB	JP	
HB54*p	247	DB	JP	
HB55*p	247	DB	JP	
HB56*p	247	DB	JP	
HB57*p	247	DB	JP	
HB58*p	247	DB	JP	
HB59*p	247	DB	JP	
HB60*p	247	DB	JP	
HB61*p	247	DB	JP	
HB62*p	247	DB	JP	
HB63*p	247	DB	JP	
HB64*p	247	DB	JP	
HB65*p	247	DB	JP	
HB66*p	247	DB	JP	
HB67*p	247	DB	JP	
HB68*p	247	DB	JP	
HB69*p	247	DB	JP	
HB70*p	247	DB	JP	
HB71*p	247	DB	JP	
HB72*p	247	DB	JP	
HB73*p	247	DB	JP	
HB74*p	247	DB	JP	
HB75*p	247	DB	JP	
HB76*p	247	DB	JP	
HB77*p	247	DB	JP	
HB78*p	247	DB	JP	
HB79*p	247	DB	JP	
HB80*p	247	DB	JP	
HB81*p	247	DB	JP	
HB82*p	247	DB	JP	
HB83*p	247	DB	JP	
HB84*p	247	DB	JP	
HB85*p	247	DB	JP	
HB86*p	247	DB	JP	
HB87*p	247	DB	JP	
HB88*p	247	DB	JP	
HB89*p	247	DB	JP	
HB90*p	247	DB	JP	
HB91*p	247	DB	JP	
HB92*p	247	DB	JP	
HB93*p	247	DB	JP	
HB94*p	247	DB	JP	
HB95*p	247	DB	JP	
HB96*p	247	DB	JP	
HB97*p	247	DB	JP	
HB98*p	247	DB	JP	
HB99*p	247	DB	JP	
HB00*p	247	DB	JP	



GTAFB.
Gate A-F 5-11
0-5
6-8
K I
9-11
Z G
12-14
R T
15-17
U Z
18-23

RB00p	LX
HB05*p	LX
GTAFBp	LX
HB04*p	LX
RB01p	LX
HB03*p	LX
GTAFBp	LX
RB02p	LX
HB02*p	LX
GTAFBp	LX
HB01*p	LX
GTAFBp	LX
HB00*p	LX
RB04p	KRICTP
RB05p	LX

608	5327
2	RB03N
3	RB03p
4	RB04N
5	RB04p
6	RB03N
7	RB03p
8	RB02N
9	RB02p
10	RB01N
11	RB01p
12	RB01N
13	RB01p
14	RB00N
15	RB00p
16	RB00N
17	RB00p
18	RB00N
19	RB00p
20	RB00N
21	RB00p
22	RB00N
23	RB00p
24	RB00N
25	RB00p

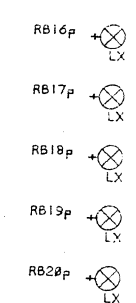
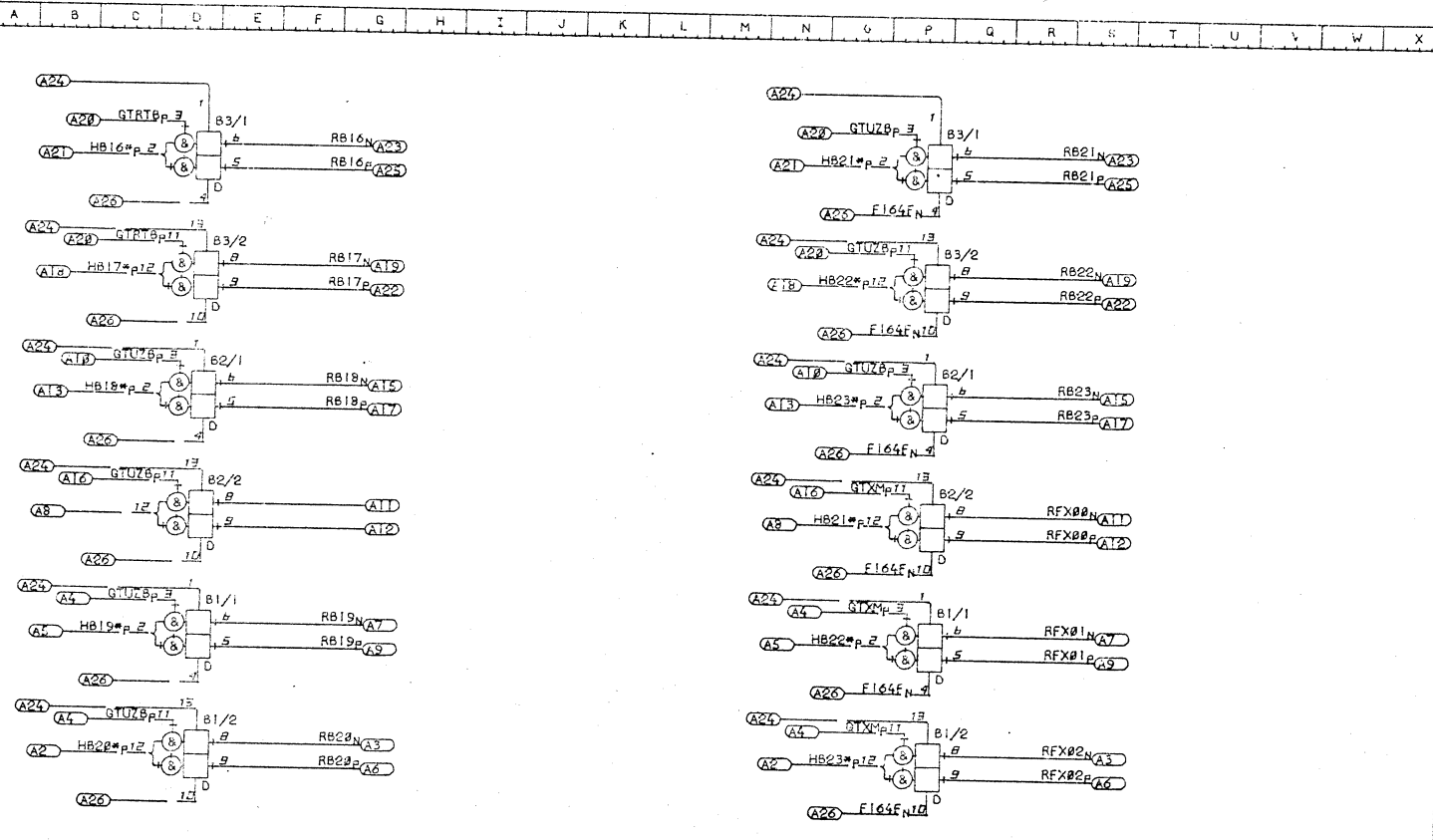
RB06p	LX
HB11*p	LX
GTGJBp	LX
HB10*p	LX
RB07p	LX
HB09*p	LX
GTGJBp	LX
HB08*p	LX
GTGJBp	LX
HB07*p	LX
GTGJBp	LX
HB06*p	LX
RB10p	LX
RB11p	LX

6010	5327
2	RB11N
3	RB11p
4	RB10N
5	RB10p
6	RB09N
7	RB09p
8	RB08N
9	RB08p
10	RB07N
11	RB07p
12	RB06N
13	RB06p
14	RB05N
15	RB05p
16	RB04N
17	RB04p
18	RB03N
19	RB03p
20	RB02N
21	RB02p
22	RB01N
23	RB01p
24	RB00N
25	RB00p

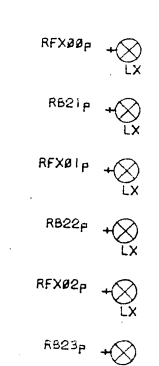
03/03/70 B REGISTER STATS (00-11) WGH01*** / 0210 P & M No. 3/07/06434

ISSUE: 1	TYPE MOD: 1	TYPE MOD:	TYPE MOD:	TYPE MOD:	TYPE MOD:
ACC: 2767	ECC: 1157	ECC:	ECC:	ECC:	ECC:

F164FN 22 P3 PD PF
 GTRT8p 258 DB DO JP
 GTUZ8p 258 DF DH DU
 VP
 GTXM 258 PH PJ PL
 VP
 HS16p 228 D6 JP
 HB17p 228 DD JP
 HB18p 228 DF JP
 HB19p 228 DJ JP
 HB20p 228 DL JP
 HB21p 228 EB PH VP
 HB22p 228 FD PJ VP
 HB23p 228 PF PL VP
 RB16p 228 DP JP LP 172
 176 214
 AC16N 06 JP 176
 214 251
 RB17p 77 DE DQ JP 172
 214 251
 RB17N 77 GO JP 177
 214 251
 RB18p 77 GS DR JP 178
 214 251
 RB18N 77 GF JP 177
 214 251
 RB19p 78 DS JP 178
 214 251
 RB19N 78 GJ JP 178
 214 251
 RB20p 78 DT JP 171
 214 251
 RB20N 78 QL JP 178
 214 251
 RB21p 76 PQ VP 171
 214 251
 RB21N 76 88 VP 176
 214 251
 RB22p 77 6E PS VP 172
 214 251
 RB22N 77 8D VP 177
 214 251
 RB23p 78 63 FU VP 172
 214 251
 RB23N 78 8F VP 178
 214 251
 RFX00p 243 81 PP VP 118
 243 299
 RFX01N 81 SH VP
 RFX01P 81 PR VP 118
 243 299
 RFX01N 81 SU VP
 RFX02P 81 SM PT VP 118
 243 299
 RFX02N 81 SL VP



6D13 5327	
2	RB20N
3	RB20P
4	RB19N
5	RB19P
6	RB18N
7	RB18P
8	RB17N
9	RB17P
10	RB16N
11	RB16P
12	RB23N
13	RB23P
14	RB22N
15	RB22P
16	RB21N
17	RB21P
18	RB20N
19	RB20P
20	RB19N
21	RB19P
22	RB18N
23	RB18P
24	RB17N
25	RB17P

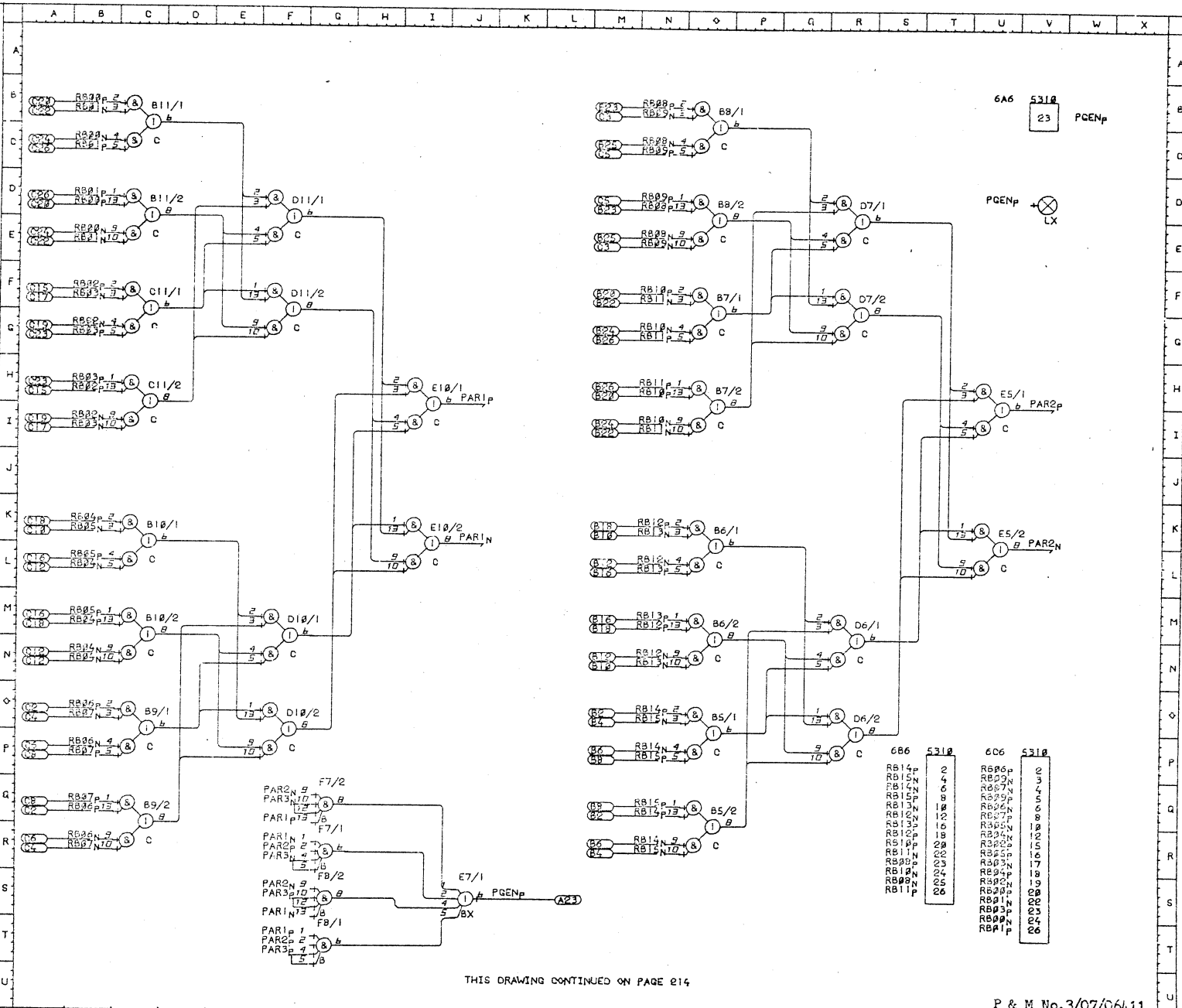


6D15 5327	
2	RFX02N
3	RFX02P
4	RFX01N
5	RFX01P
6	RFX00N
7	RFX00P
8	RB23N
9	RB23P
10	RB22N
11	RB22P
12	RB21N
13	RB21P
14	RB20N
15	RB20P
16	RB19N
17	RB19P
18	RB18N
19	RB18P
20	RB17N
21	RB17P
22	RB16N
23	RB16P
24	F164FN

03/03/70 B REGISTER STATS (16-23, X00-02) P & M No. 3/07/06-34 WGH01***/0212

ISSUE:	TYPE	MOD:	TYPE	MOD:	TYPE	MOD:	TYPE	MOD:	TYPE	MOD:
1		1								
ACC: 2767	ECC:	1157	ECC:		ECC:		ECC:		ECC:	

RB001
 RB002
 RB003
 RB004
 RB005
 RB006
 RB007
 RB008
 RB009
 RB010
 RB011
 RB012
 RB013
 RB014
 RB015
 RB016
 RB017
 RB018
 RB019
 RB020
 RB021
 RB022
 RB023
 RB024
 RB025
 RB026
 RB027
 RB028
 RB029
 RB030
 RB031
 RB032
 RB033
 RB034
 RB035
 RB036
 RB037
 RB038
 RB039
 RB040
 RB041
 RB042
 RB043
 RB044
 RB045
 RB046
 RB047
 RB048
 RB049
 RB050
 RB051
 RB052
 RB053
 RB054
 RB055
 RB056
 RB057
 RB058
 RB059
 RB060
 RB061
 RB062
 RB063
 RB064
 RB065
 RB066
 RB067
 RB068
 RB069
 RB070
 RB071
 RB072
 RB073
 RB074
 RB075
 RB076
 RB077
 RB078
 RB079
 RB080
 RB081
 RB082
 RB083
 RB084
 RB085
 RB086
 RB087
 RB088
 RB089
 RB090
 RB091
 RB092
 RB093
 RB094
 RB095
 RB096
 RB097
 RB098
 RB099
 RB100
 RB101
 RB102
 RB103
 RB104
 RB105
 RB106
 RB107
 RB108
 RB109
 RB110
 RB111
 RB112
 RB113
 RB114
 RB115
 RB116
 RB117
 RB118
 RB119
 RB120
 RB121
 RB122
 RB123
 RB124
 RB125
 RB126
 RB127
 RB128
 RB129
 RB130
 RB131
 RB132
 RB133
 RB134
 RB135
 RB136
 RB137
 RB138
 RB139
 RB140
 RB141
 RB142
 RB143
 RB144
 RB145
 RB146
 RB147
 RB148
 RB149
 RB150
 RB151
 RB152
 RB153
 RB154
 RB155
 RB156
 RB157
 RB158
 RB159
 RB160
 RB161
 RB162
 RB163
 RB164
 RB165
 RB166
 RB167
 RB168
 RB169
 RB170
 RB171
 RB172
 RB173
 RB174
 RB175
 RB176
 RB177
 RB178
 RB179
 RB180
 RB181
 RB182
 RB183
 RB184
 RB185
 RB186
 RB187
 RB188
 RB189
 RB190
 RB191
 RB192
 RB193
 RB194
 RB195
 RB196
 RB197
 RB198
 RB199
 RB200
 RB201
 RB202
 RB203
 RB204
 RB205
 RB206
 RB207
 RB208
 RB209
 RB210
 RB211
 RB212
 RB213
 RB214
 RB215
 RB216
 RB217
 RB218
 RB219
 RB220
 RB221
 RB222
 RB223
 RB224
 RB225
 RB226
 RB227
 RB228
 RB229
 RB230
 RB231
 RB232
 RB233
 RB234
 RB235
 RB236
 RB237
 RB238
 RB239
 RB240
 RB241
 RB242
 RB243
 RB244
 RB245
 RB246
 RB247
 RB248
 RB249
 RB250
 RB251
 RB252
 RB253
 RB254
 RB255
 RB256
 RB257
 RB258
 RB259
 RB260
 RB261
 RB262
 RB263
 RB264
 RB265
 RB266
 RB267
 RB268
 RB269
 RB270
 RB271
 RB272
 RB273
 RB274
 RB275
 RB276
 RB277
 RB278
 RB279
 RB280
 RB281
 RB282
 RB283
 RB284
 RB285
 RB286
 RB287
 RB288
 RB289
 RB290
 RB291
 RB292
 RB293
 RB294
 RB295
 RB296
 RB297
 RB298
 RB299
 RB300
 RB301
 RB302
 RB303
 RB304
 RB305
 RB306
 RB307
 RB308
 RB309
 RB310
 RB311
 RB312
 RB313
 RB314
 RB315
 RB316
 RB317
 RB318
 RB319
 RB320
 RB321
 RB322
 RB323
 RB324
 RB325
 RB326
 RB327
 RB328
 RB329
 RB330
 RB331
 RB332
 RB333
 RB334
 RB335
 RB336
 RB337
 RB338
 RB339
 RB340
 RB341
 RB342
 RB343
 RB344
 RB345
 RB346
 RB347
 RB348
 RB349
 RB350
 RB351
 RB352
 RB353
 RB354
 RB355
 RB356
 RB357
 RB358
 RB359
 RB360
 RB361
 RB362
 RB363
 RB364
 RB365
 RB366
 RB367
 RB368
 RB369
 RB370
 RB371
 RB372
 RB373
 RB374
 RB375
 RB376
 RB377
 RB378
 RB379
 RB380
 RB381
 RB382
 RB383
 RB384
 RB385
 RB386
 RB387
 RB388
 RB389
 RB390
 RB391
 RB392
 RB393
 RB394
 RB395
 RB396
 RB397
 RB398
 RB399
 RB400
 RB401
 RB402
 RB403
 RB404
 RB405
 RB406
 RB407
 RB408
 RB409
 RB410
 RB411
 RB412
 RB413
 RB414
 RB415
 RB416
 RB417
 RB418
 RB419
 RB420
 RB421
 RB422
 RB423
 RB424
 RB425
 RB426
 RB427
 RB428
 RB429
 RB430
 RB431
 RB432
 RB433
 RB434
 RB435
 RB436
 RB437
 RB438
 RB439
 RB440
 RB441
 RB442
 RB443
 RB444
 RB445
 RB446
 RB447
 RB448
 RB449
 RB450
 RB451
 RB452
 RB453
 RB454
 RB455
 RB456
 RB457
 RB458
 RB459
 RB460
 RB461
 RB462
 RB463
 RB464
 RB465
 RB466
 RB467
 RB468
 RB469
 RB470
 RB471
 RB472
 RB473
 RB474
 RB475
 RB476
 RB477
 RB478
 RB479
 RB480
 RB481
 RB482
 RB483
 RB484
 RB485
 RB486
 RB487
 RB488
 RB489
 RB490
 RB491
 RB492
 RB493
 RB494
 RB495
 RB496
 RB497
 RB498
 RB499
 RB500
 RB501
 RB502
 RB503
 RB504
 RB505
 RB506
 RB507
 RB508
 RB509
 RB510
 RB511
 RB512
 RB513
 RB514
 RB515
 RB516
 RB517
 RB518
 RB519
 RB520
 RB521
 RB522
 RB523
 RB524
 RB525
 RB526
 RB527
 RB528
 RB529
 RB530
 RB531
 RB532
 RB533
 RB534
 RB535
 RB536
 RB537
 RB538
 RB539
 RB540
 RB541
 RB542
 RB543
 RB544
 RB545
 RB546
 RB547
 RB548
 RB549
 RB550
 RB551
 RB552
 RB553
 RB554
 RB555
 RB556
 RB557
 RB558
 RB559
 RB560
 RB561
 RB562
 RB563
 RB564
 RB565
 RB566
 RB567
 RB568
 RB569
 RB570
 RB571
 RB572
 RB573
 RB574
 RB575
 RB576
 RB577
 RB578
 RB579
 RB580
 RB581
 RB582
 RB583
 RB584
 RB585
 RB586
 RB587
 RB588
 RB589
 RB590
 RB591
 RB592
 RB593
 RB594
 RB595
 RB596
 RB597
 RB598
 RB599
 RB600
 RB601
 RB602
 RB603
 RB604
 RB605
 RB606
 RB607
 RB608
 RB609
 RB610
 RB611
 RB612
 RB613
 RB614
 RB615
 RB616
 RB617
 RB618
 RB619
 RB620
 RB621
 RB622
 RB623
 RB624
 RB625
 RB626
 RB627
 RB628
 RB629
 RB630
 RB631
 RB632
 RB633
 RB634
 RB635
 RB636
 RB637
 RB638
 RB639
 RB640
 RB641
 RB642
 RB643
 RB644
 RB645
 RB646
 RB647
 RB648
 RB649
 RB650
 RB651
 RB652
 RB653
 RB654
 RB655
 RB656
 RB657
 RB658
 RB659
 RB660
 RB661
 RB662
 RB663
 RB664
 RB665
 RB666
 RB667
 RB668
 RB669
 RB670
 RB671
 RB672
 RB673
 RB674
 RB675
 RB676
 RB677
 RB678
 RB679
 RB680
 RB681
 RB682
 RB683
 RB684
 RB685
 RB686
 RB687
 RB688
 RB689
 RB690
 RB691
 RB692
 RB693
 RB694
 RB695
 RB696
 RB697
 RB698
 RB699
 RB700
 RB701
 RB702
 RB703
 RB704
 RB705
 RB706
 RB707
 RB708
 RB709
 RB710
 RB711
 RB712
 RB713
 RB714
 RB715
 RB716
 RB717
 RB718
 RB719
 RB720
 RB721
 RB722
 RB723
 RB724
 RB725
 RB726
 RB727
 RB728
 RB729
 RB730
 RB731
 RB732
 RB733
 RB734
 RB735
 RB736
 RB737
 RB738
 RB739
 RB740
 RB741
 RB742
 RB743
 RB744
 RB745
 RB746
 RB747
 RB748
 RB749
 RB750
 RB751
 RB752
 RB753
 RB754
 RB755
 RB756
 RB757
 RB758
 RB759
 RB760
 RB761
 RB762
 RB763
 RB764
 RB765
 RB766
 RB767
 RB768
 RB769
 RB770
 RB771
 RB772
 RB773
 RB774
 RB775
 RB776
 RB777
 RB778
 RB779
 RB780
 RB781
 RB782
 RB783
 RB784
 RB785
 RB786
 RB787
 RB788
 RB789
 RB790
 RB791
 RB792
 RB793
 RB794
 RB795
 RB796
 RB797
 RB798
 RB799
 RB800
 RB801
 RB802
 RB803
 RB804
 RB805
 RB806
 RB807
 RB808
 RB809
 RB810
 RB811
 RB812
 RB813
 RB814
 RB815
 RB816
 RB817
 RB818
 RB819
 RB820
 RB821
 RB822
 RB823
 RB824
 RB825
 RB826
 RB827
 RB828
 RB829
 RB830
 RB831
 RB832
 RB833
 RB834
 RB835
 RB836
 RB837
 RB838
 RB839
 RB840
 RB841
 RB842
 RB843
 RB844
 RB845
 RB846
 RB847
 RB848
 RB849
 RB850
 RB851
 RB852
 RB853
 RB854
 RB855
 RB856
 RB857
 RB858
 RB859
 RB860
 RB861
 RB862
 RB863
 RB864
 RB865
 RB866
 RB867
 RB868
 RB869
 RB870
 RB871
 RB872
 RB873
 RB874
 RB875
 RB876
 RB877
 RB878
 RB879
 RB880
 RB881
 RB882
 RB883
 RB884
 RB885
 RB886
 RB887
 RB888
 RB889
 RB890
 RB891
 RB892
 RB893
 RB894
 RB895
 RB896
 RB897
 RB898
 RB899
 RB900
 RB901
 RB902
 RB903
 RB904
 RB905
 RB906
 RB907
 RB908
 RB909
 RB910
 RB911
 RB912
 RB913
 RB914
 RB915
 RB916
 RB917
 RB918
 RB919
 RB920
 RB921
 RB922
 RB923
 RB924
 RB925
 RB926
 RB927
 RB928
 RB929
 RB930
 RB931
 RB932
 RB933
 RB934
 RB935
 RB936
 RB937
 RB938
 RB939
 RB940
 RB941
 RB942
 RB943
 RB944
 RB945
 RB946
 RB947
 RB948
 RB949
 RB950
 RB951
 RB952
 RB953
 RB954
 RB955
 RB956
 RB957
 RB958
 RB959
 RB960
 RB961
 RB962
 RB963
 RB964
 RB965
 RB966
 RB967
 RB968
 RB969
 RB970
 RB971
 RB972
 RB973
 RB974
 RB975
 RB976
 RB977
 RB978
 RB979
 RB980
 RB981
 RB982
 RB983
 RB984
 RB985
 RB986
 RB987
 RB988
 RB989
 RB990
 RB991
 RB992
 RB993
 RB994
 RB995
 RB996
 RB997
 RB998
 RB999
 RB1000



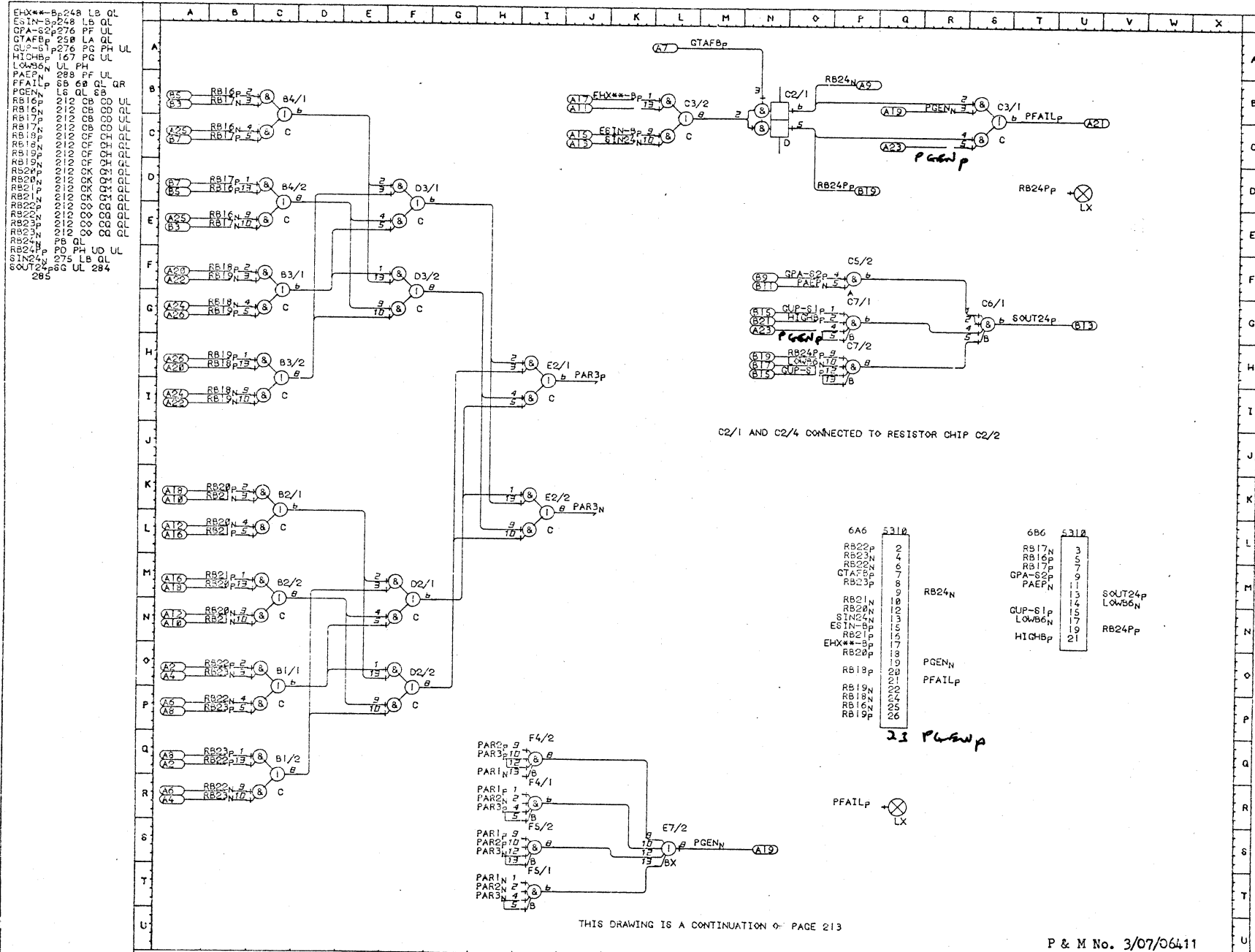
THIS DRAWING CONTINUED ON PAGE 214

CCW:0199 13/05/70 PARITY GENERATOR (A)

P & M No.3/07/06411

WGHO1***/0213 DATA CCW0221

ISSUE: 2	TYPE MOD:	TYPE MOD: OI	TYPE MOD:	TYPE MOD:	TYPE MOD:	TYPE MOD:
ACC: 3039	ECC:	ECC: 4033	ECC:	ECC:	ECC:	ECC:



6A6	3310	6B6	5310
RB20P	2	RB17N	3
RB23P	4	RB16P	5
RB22N	6	RB17P	6
GTAFBP	7	GPA-S2P	9
RB23P	8	PAEPN	10
RB21N	10		
RB20N	12		
SING4N	13		
ESTN-Sp	15		
RB21P	16		
EHX**Bp	17		
RB20P	19		
RB13P	20		
PGENN	21		
PFAILP	22		
RB19N	23		
RB18N	24		
RB16N	25		
RB19P	26		

THIS DRAWING IS A CONTINUATION OF PAGE 213

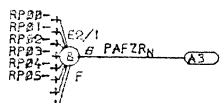
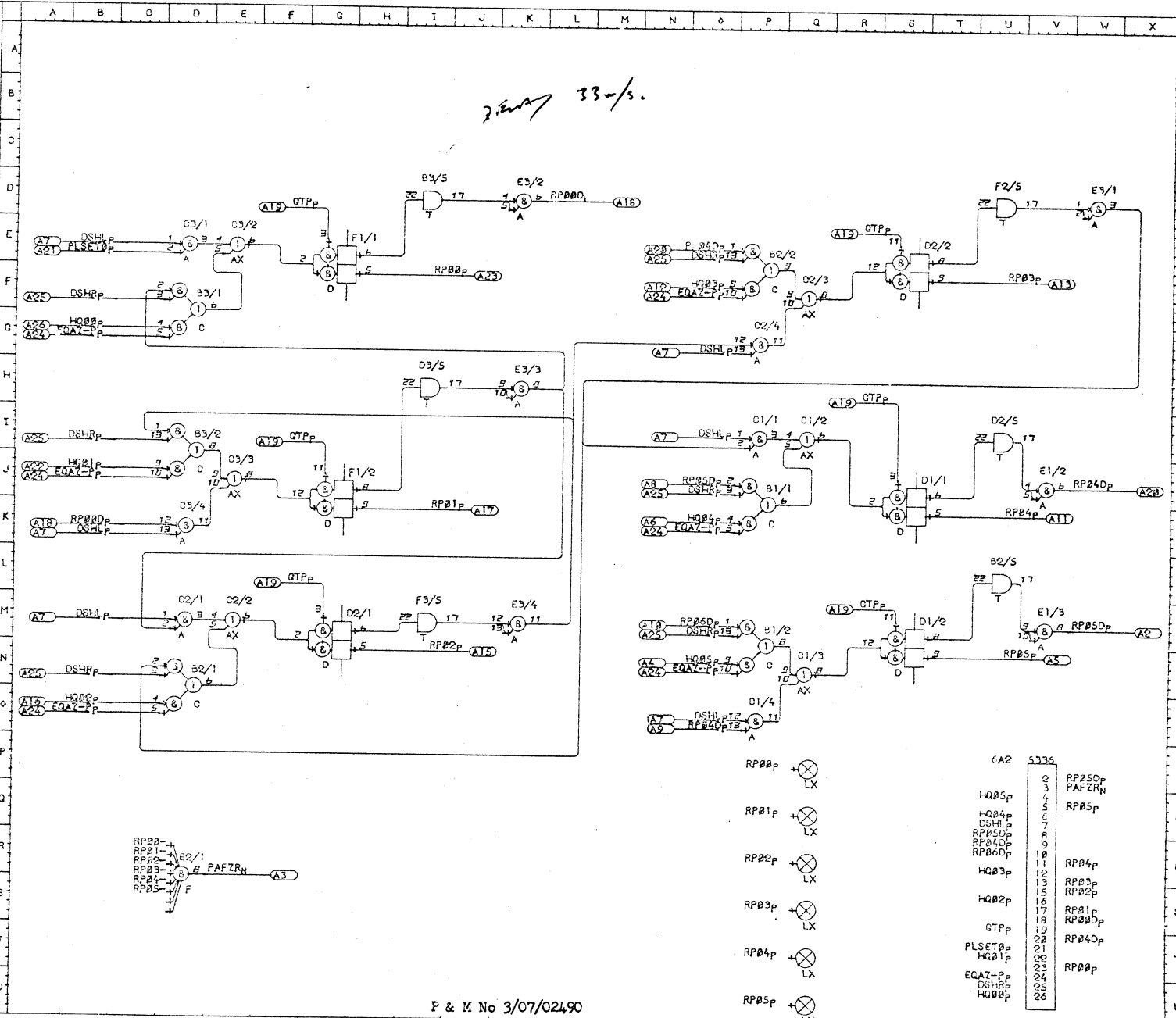
P & M No. 3/07/06411

186UE: 1 2		TYPE MOD: 01		TYPE MOD: 01		TYPE MOD: 01		TYPE MOD: 01	
ACD: 2767 3039		ECC: 4033		ECC: 4033		ECC: 4033		ECC: 4033	

02/03/70 PARITY GENERATOR (B) WGH01***/0214

DSHLp 105 DE DK DM
 135 208 216 217
 218
 DSHRp 40 40 DE DI
 DN PE PJ PM VP
 200 216 217 218
 EQA2-Pp 84 84 DE DI
 DN PE PJ PM VP
 216 217 218
 GTPp 249 FO FI FL
 RE RH R4 VP
 216 217 218
 HQB2p 213 DF VP
 200 216 217 218
 202 205 207
 HQB1p 200 DI VP
 200 204 207 220
 205 207
 HQB2p 200 DN VP
 200 204 207 220
 205 207
 HQB3p 201 PE VP
 201 204 207 220
 205 207
 HQB4p 201 PJ VP
 201 204 207 220
 205 207
 HQB5p 201 PM VP
 201 204 207 220
 205 207
 PAFZRp DR VP 219
 PLSETp 219 DE VP
 RP00p JF QP VP 167
 170 200
 RP020p KO DK VP
 RP01p JK QG VP 170
 RP00p JN QR VP 171
 RP03p VF OS VP 171
 RP04p VK QT VP 172
 RP040p VJ PE PO VP
 RP05p VN QU VP 172
 RP050p VM PU VP 216
 RP060p 216 PM VP

2. 33-1/s.



P & M No 3/07/02490

02/10/69

P REGISTER (00-05)

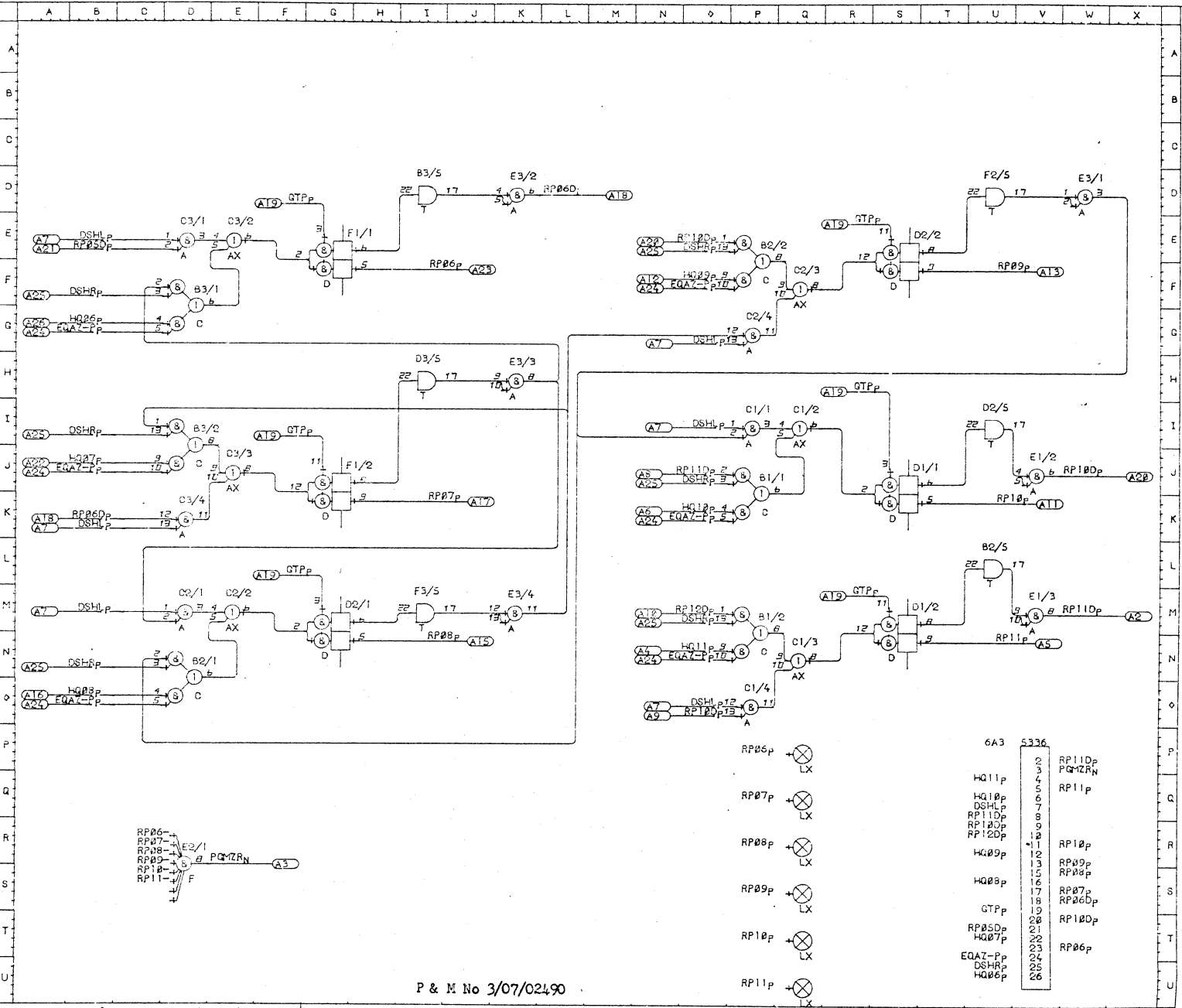
WGH01***/0215

ISSUE: 155
ACC: 2239

PKG MOD: 400 01
ECC: 2725

CA2	5336	
2	RP050p	
3	PAFZRN	
4		
5	RP05p	
6		
7	HQB4p	
8	DSHLp	
9	RP050p	
10	RP040p	
11	RP060p	
12	HQB3p	RP04p
13	RP03p	
14	RP02p	
15	HQB2p	RP01p
16		RP000p
17	GTPp	RP040p
18	PLSETp	
19	HQB1p	
20		RP00p
21	EQA2-Pp	
22	DSHRp	
23	HQB0p	
24		
25		
26		

DSHLp 185 DE DK DM
 PG PI Po VP
 185 200 215 217
 218
 DSHRp 40 42 DF DI
 DN PE PJ PM VP
 200 215 217 218
 EQAZ-Pp 34 34 DF DI
 DN PE PJ PM VP
 215 217 218
 GTPp 249 FD FI FL
 RE RH RM VP
 215 217 218
 HQ06p 201 DF VP
 201 204 207 220
 225 241
 HQ07p 201 DI VP
 201 204 207 220
 225 241
 HQ09p 201 DN VP
 201 204 207 220
 225 241
 HQ09p 201 PE VP
 201 204 207 220
 225 241
 HQ10p 202 PJ VP
 202 205 208 223
 225 242
 HQ11p 202 PM VP
 202 205 208 223
 225 242
 PGMZRN DN VP 219
 RP05DN 215 DE VP
 215
 RP06p JF QP VP 173
 RP06Dp KD QK VP 215
 RP07p JK QJ VP 173
 RP09p JN QR VP 173
 RP09p VF QS VP 174
 RP10p VK QT VP 174
 RP10Dp VJ PE PO VP 2
 RP11p VN QU VP 174
 RP11Dp VM PJ VP 217
 RP120p 217 PM VP



P & M No 3/07/02490

02/10/69

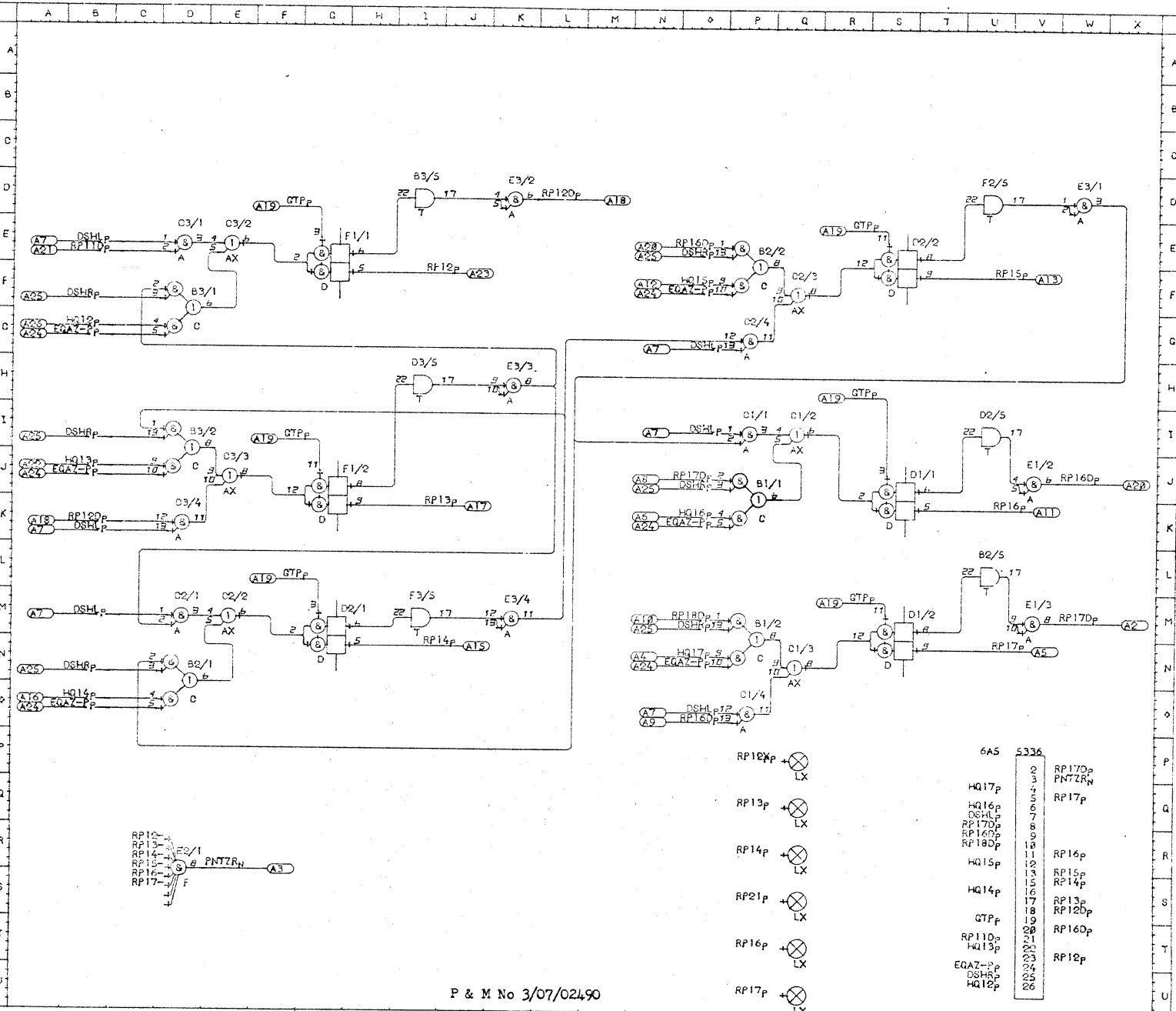
P REGISTER (06-11)

WGH01***/0216

ISSUE: 155
ACD: 2239

PKG MOD: 400 01
ECC: 2725

DSHLp 125 DE DK DM
 PG PI PO VP
 125 200 215 216
 218
 DSHRp 42 42 DF DI
 DN PE PJ PM VP
 200 215 216 218
 EQAZ-Pp 84 84 DF DI
 DN PE PJ PM VP
 215 216 218
 GTPp 249 FD FI FL
 RE RH RM VP
 215 216 218
 HQ12p 202 DF VP
 222 245 208 221
 225 242
 HQ13p 202 DI VP
 222 245 208 221
 225 242
 HQ14p 202 DN VP
 222 245 208 221
 225 242
 HQ15p 203 PE VP
 222 245 208 221
 225 243
 HQ16p 202 PU VP
 222 245 208 221
 225 243
 HQ17p 202 PM VP
 222 245 208 221
 225 243
 LXp 203 203 203
 PNTZRN DR VP 219
 RP110p 216 DE VP
 216
 RP12p JI QP VF 175
 RP12Dp KO DK VP 216
 RP13p JK QG VP 175
 RP14p JN QR VP 175
 RP15p VF VP 176
 RP15p VK QT VF 176
 RP16Dp VJ PE PA VP
 RP17p WN QU VP 177
 RP17p VM PU VF 218
 RP18Dp 218 PM VP
 RP21p 218 GS 176
 218



P & M No 3/07/02490

ISSUE: 155
ADD: 2239

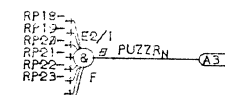
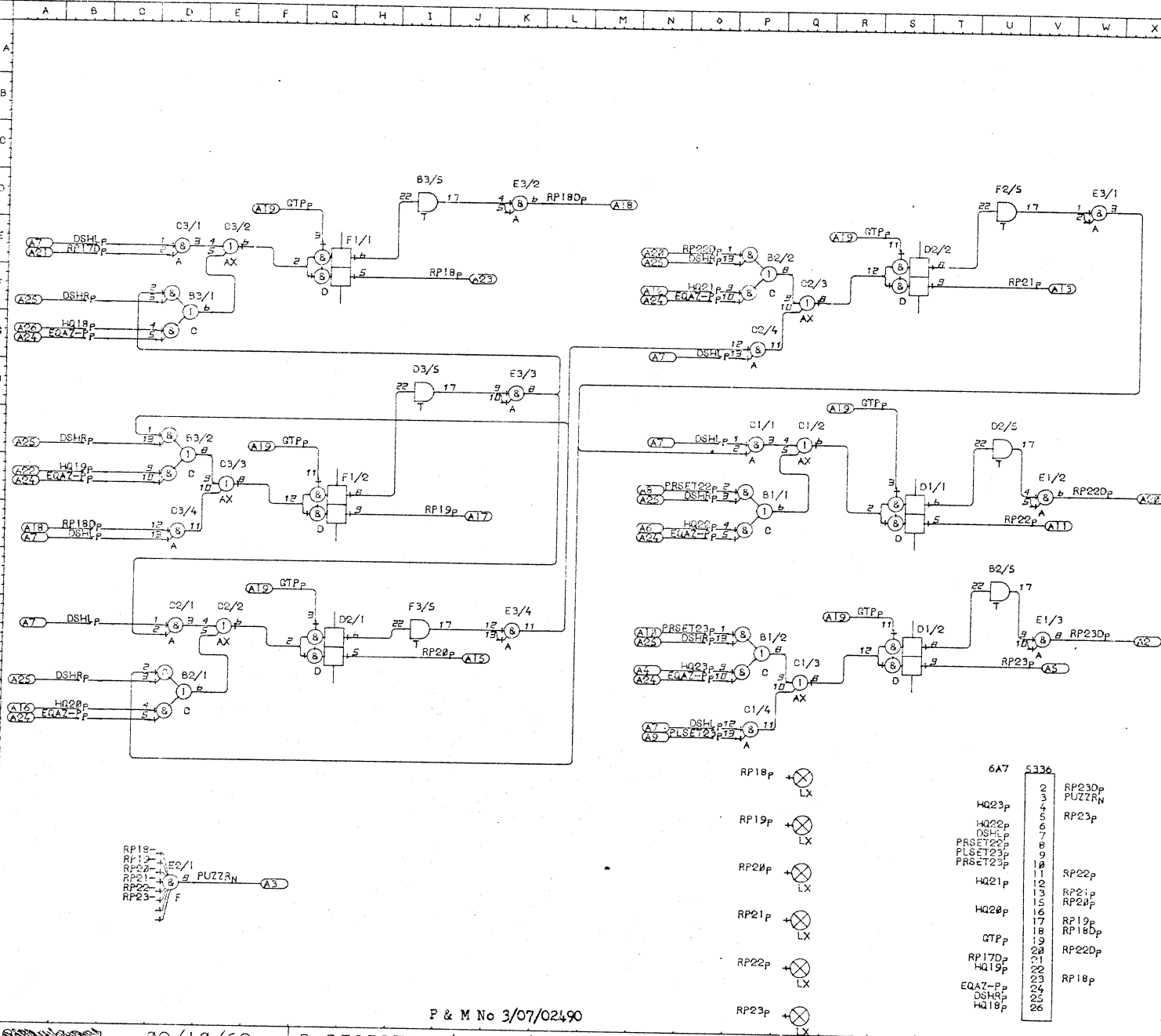
02/10/69

P REGISTER (12-17)

WGH01***/0217

PKG MOD: 00 01
ECC: 2725

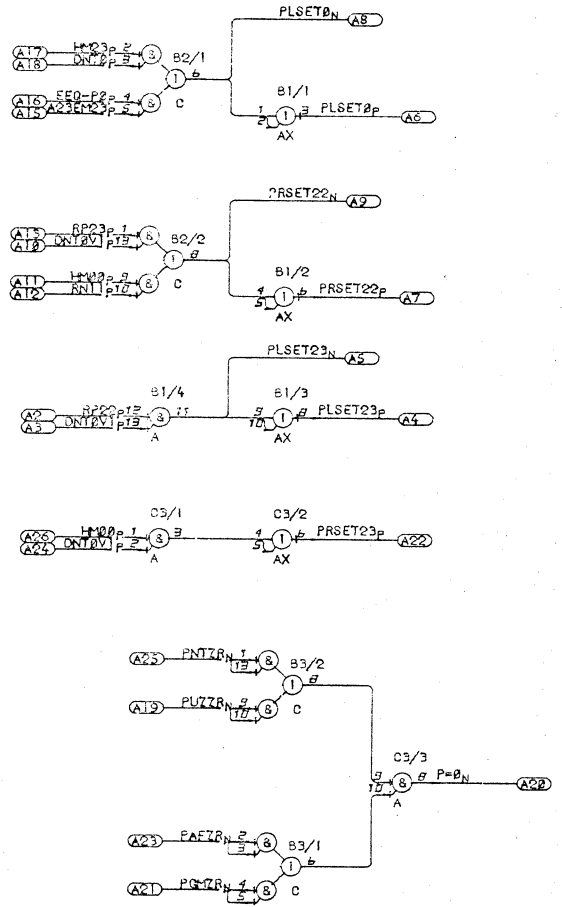
DSHLp 125 DE DK DM
 PG P1 P0 VP
 125 200 215 216
 DSHRp 42 42 DF DI
 ON PE PJ PM VP
 200 215 216 217
 EQAZ-P 34 34 DF DI
 ON PE PJ PM VP
 215 216 217
 GTPp 249 FD FI FL
 RE RH RM VP
 215 216 217
 HQ18p 222 DF VP
 202 225 209 221
 225 244 266
 HQ19p 203 DI VP
 203 226 209 221
 225 244 266
 HQ20p 203 DM VP
 203 206 209 221
 225 244 266
 HQ21p 203 PE VP
 203 226 209 221
 225 244 266
 HQ22p 203 PJ VP
 153 203 206 209
 222 226 266
 HQ23p 203 PM VP
 203 206 209 222
 225 266
 PLS123p 219 P0 VP
 PRSET23p 219 PJ VP
 PRSET23p 219 PM VP
 PUZZRN DR VP 219
 RP170p 217 DE VP
 217
 RP18p JF QP VP 177
 RP18Dp KD DK VP 217
 RP19p JK QG VP 178
 RP20p JN QR VP 178
 RP21p VF QS VP 176
 217
 RP22p VK QT VP 177
 208 219
 RP220p VJ PE VP
 RP225p VN QU VP 178
 208 219
 RP230p VM VP



- RP18p ⊗ LX
 - RP19p ⊗ LX
 - RP20p ⊗ LX
 - RP21p ⊗ LX
 - RP22p ⊗ LX
 - RP23p ⊗ LX
- | | |
|-----|--------|
| 6A7 | 5336 |
| 2 | RP230p |
| 3 | PUZZRN |
| 4 | |
| 5 | RP23p |
| 6 | |
| 7 | |
| 8 | |
| 9 | |
| 10 | RP22p |
| 11 | |
| 12 | RP21p |
| 13 | RP20p |
| 14 | |
| 15 | |
| 16 | RP19p |
| 17 | RP18Dp |
| 18 | |
| 19 | RP220p |
| 20 | |
| 21 | |
| 22 | RP18p |
| 23 | |
| 24 | |
| 25 | |
| 26 | |

P & M No 3/07/02490

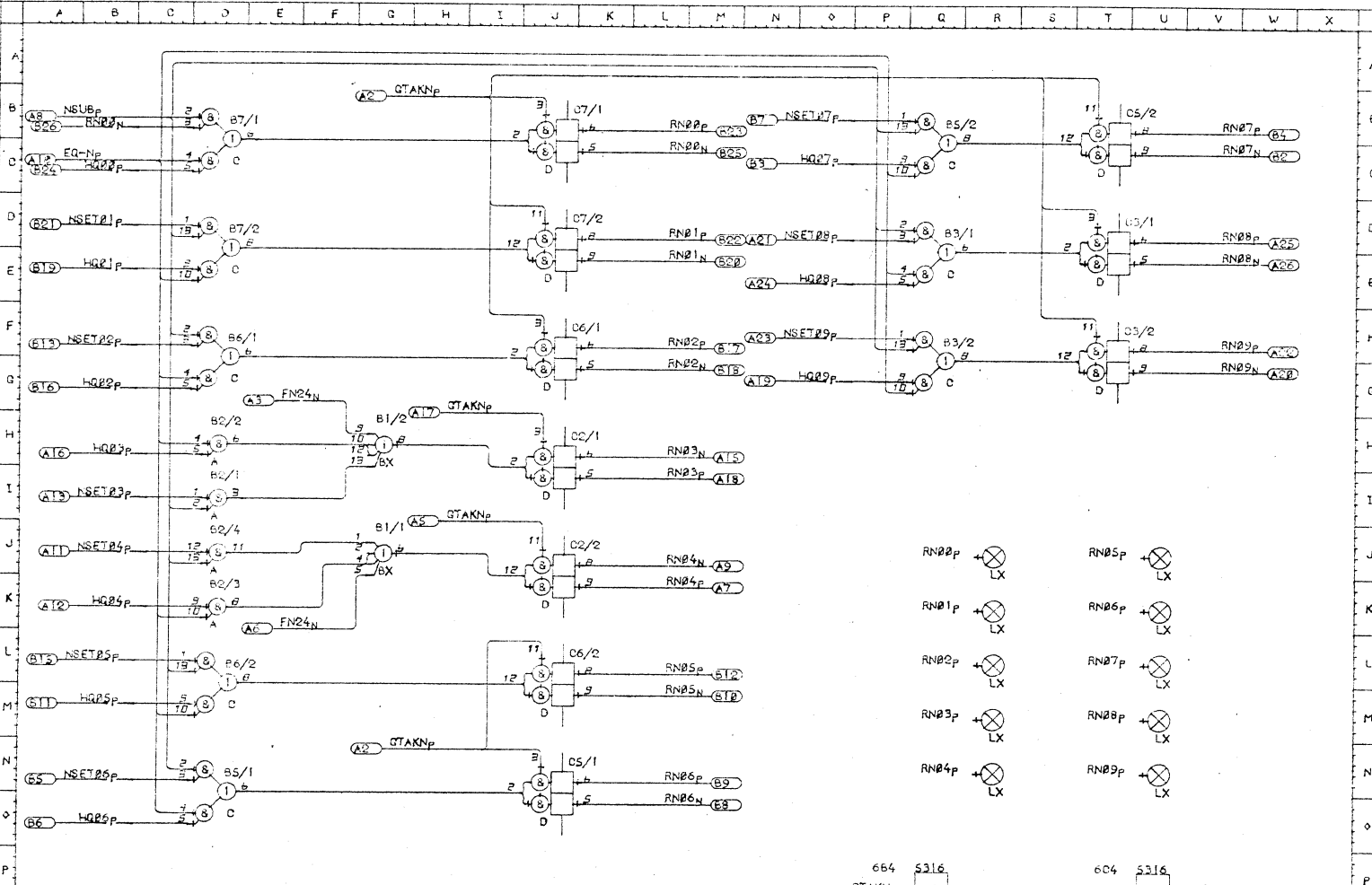
A23EM23p 139 17 27 DC
 UP 188 189 148
 DNT8V1p 224 DF DI DK
 UP 288
 DNT8V1p 224 DF DI DK
 UP 288
 EEO-P8p 96 DC UP
 H*08p 194 DF DK UP
 227
 H*23p 195 DC UP
 198 200 203 226
 247
 P=0N Ho 5 36 47
 PAF7RN 215 FF UP
 PNT7RN 216 FF UP
 PLSET8p FD UP 215
 PLSET8N GC UP
 PLSET23p FI UP 218
 PLSET23N GN UP
 PNT7RN 217 FM UP
 PRSET20p FD UP 218
 PRSET20N BF UP
 PRSET23p FK UP 218
 PUZZRN 218 FM UP
 AN11p 221 DF UP
 139 174 200 221
 224 278
 RP22p 218 DI UP
 177 200 218
 RP23p 218 DF UP
 178 200 218



6A4	5335
RP22p	2
DNT8V1p	3
PLSET23p	4
PLSET23N	5
PLSET8p	6
PRSET20p	7
PLSET8N	8
PRSET22N	9
DNT8V1p	10
H*08p	11
AN11p	12
RP23p	13
A23EM23p	15
EEO-P8p	16
H*23p	17
DNT8p	18
PUZZRN	19
P=0N	20
PQ7RN	21
PRSET23p	23
PAF7RN	24
DNT8V1p	25
PNT7RN	26
H*08p	26

P & M No 3/07/06517

EQ-Np	S3	23	AD	QP	
FN02p	224	115	EQ	EL	QP
GTAKNp	249	08	QN	H4	
HQ07p	228	08	UP		
HQ08p	228	00	UP		
HQ09p	228	00	UP		
HQ20p	224	07	UP		
HQ21p	224	07	UP		
HQ22p	224	07	UP		
HQ23p	224	07	UP		
HQ24p	224	07	UP		
HQ25p	224	07	UP		
HQ26p	224	07	UP		
HQ27p	224	07	UP		
HQ28p	224	07	UP		
HQ29p	224	07	UP		
HQ30p	224	07	UP		
HQ31p	224	07	UP		
HQ32p	224	07	UP		
HQ33p	224	07	UP		
HQ34p	224	07	UP		
HQ35p	224	07	UP		
HQ36p	224	07	UP		
HQ37p	224	07	UP		
HQ38p	224	07	UP		
HQ39p	224	07	UP		
HQ40p	224	07	UP		
HQ41p	224	07	UP		
HQ42p	224	07	UP		
HQ43p	224	07	UP		
HQ44p	224	07	UP		
HQ45p	224	07	UP		
HQ46p	224	07	UP		
HQ47p	224	07	UP		
HQ48p	224	07	UP		
HQ49p	224	07	UP		
HQ50p	224	07	UP		
HQ51p	224	07	UP		
HQ52p	224	07	UP		
HQ53p	224	07	UP		
HQ54p	224	07	UP		
HQ55p	224	07	UP		
HQ56p	224	07	UP		
HQ57p	224	07	UP		
HQ58p	224	07	UP		
HQ59p	224	07	UP		
HQ60p	224	07	UP		
HQ61p	224	07	UP		
HQ62p	224	07	UP		
HQ63p	224	07	UP		
HQ64p	224	07	UP		
HQ65p	224	07	UP		
HQ66p	224	07	UP		
HQ67p	224	07	UP		
HQ68p	224	07	UP		
HQ69p	224	07	UP		
HQ70p	224	07	UP		
HQ71p	224	07	UP		
HQ72p	224	07	UP		
HQ73p	224	07	UP		
HQ74p	224	07	UP		
HQ75p	224	07	UP		
HQ76p	224	07	UP		
HQ77p	224	07	UP		
HQ78p	224	07	UP		
HQ79p	224	07	UP		
HQ80p	224	07	UP		
HQ81p	224	07	UP		
HQ82p	224	07	UP		
HQ83p	224	07	UP		
HQ84p	224	07	UP		
HQ85p	224	07	UP		
HQ86p	224	07	UP		
HQ87p	224	07	UP		
HQ88p	224	07	UP		
HQ89p	224	07	UP		
HQ90p	224	07	UP		
HQ91p	224	07	UP		
HQ92p	224	07	UP		
HQ93p	224	07	UP		
HQ94p	224	07	UP		
HQ95p	224	07	UP		
HQ96p	224	07	UP		
HQ97p	224	07	UP		
HQ98p	224	07	UP		
HQ99p	224	07	UP		
HQ00p	224	07	UP		



664	S316	604	S316
GTAKNp	2	HQ07p	0
FN02N	3	FN07p	3
FN04N	4	NSET06p	4
GTAKNp	5	HQ06p	5
FN04N	6	NSET07p	6
NSUBp	7		7
EQ-Np	8	RN06N	8
NSET04p	9	RN06P	9
HQ07p	10	RN05N	10
NSET03p	11	HQ05p	11
HQ03p	12		12
GTAKNp	13	NSET02p	13
HQ09p	14	NSET03p	14
NSET08p	15	HQ02p	15
NSET09p	16		16
HQ00p	17	RN02P	17
NSET08p	18	RN02N	18
HQ00p	19	HQ01p	19
NSET09p	20	NSET01p	20
HQ00p	21		21
NSET09p	22	RN01P	22
HQ00p	23	RN00P	23
NSET09p	24	HQ00p	24
HQ00p	25	RN00N	25
NSET09p	26	RN00N	26

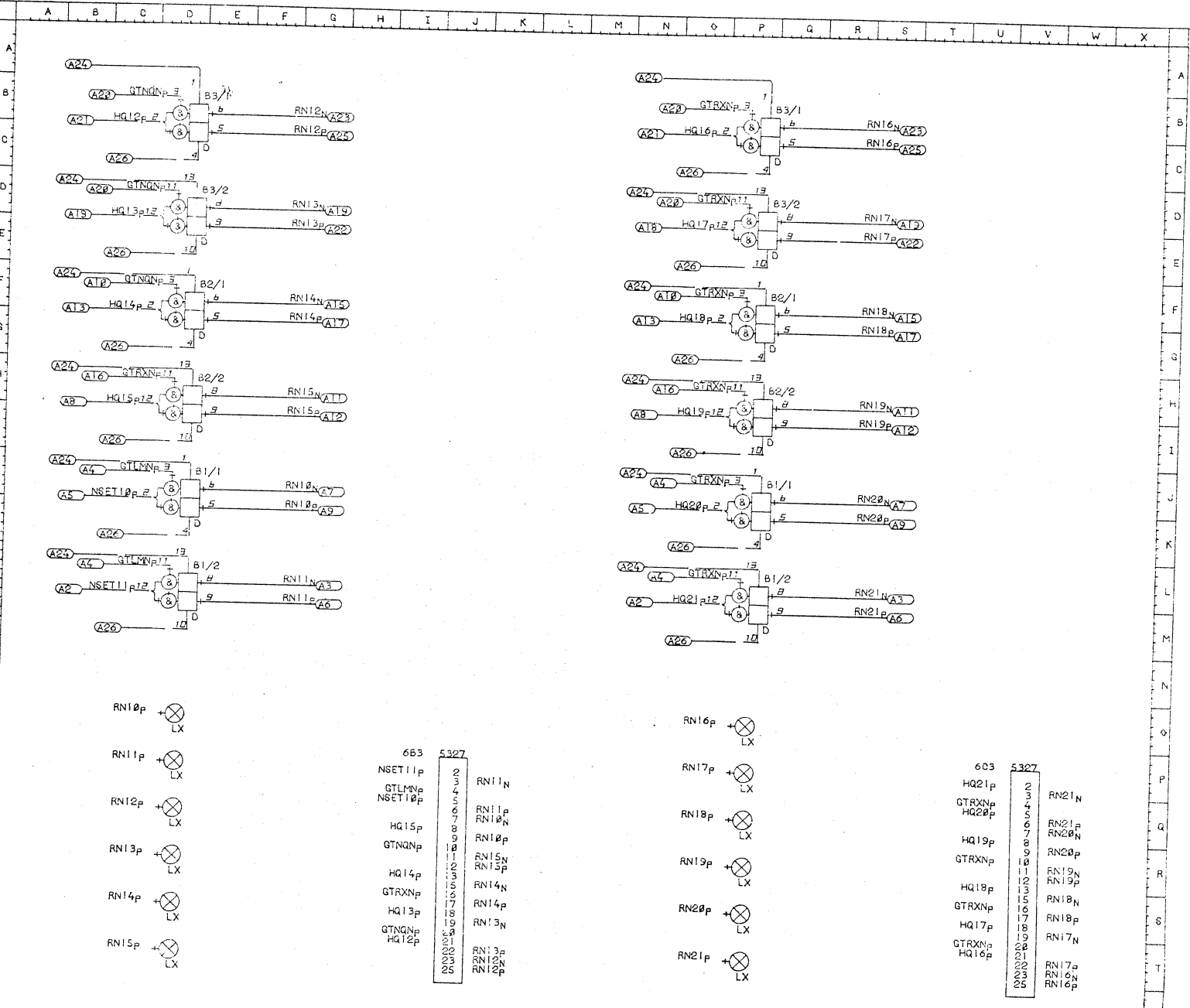
P & M No 3/07/06419

02/10/69 N REGISTER (00-09) WGH01***/0220

ISSUE: 155
AOC: 2239

PKG MOD: 00
ECC: 2239

GTLMNp 249 DJ DL JP
 GTRXNp 250 DH JP PB
 PD PF PH PJ PL
 VP
 HQ12p 282 DB JP
 HQ13p 283 DD VP
 HQ14p 284 DF JP
 HQ15p 285 DH VP
 HQ16p 286 DB VP
 HQ17p 287 DD VP
 HQ18p 288 DF VP
 HQ19p 289 FH VP
 HQ20p 290 FJ VP
 HQ21p 291 PL VP
 NSET10p 223 DJ VP
 NSET11p 223 DL VP
 RN10p 224 278 GK DX JP 174
 RN11p 224 278 GU JP 138
 RN12p 224 278 GM UP JP 139
 RN13p 224 278 280 219 224
 RN14p 224 278 GL JF 139
 RN15p 224 278 GC DQ JP 175
 RN16p 278 GS JP
 RN17p 278 GE DR JP 175
 RN18p 278 GD JP
 RN19p 278 GG DS JP 175
 RN20p 279 GF JP
 RN21p 279 GI OT JP 176
 RN22p 279 GH JP
 RN23p 279 SC PO VP 176
 RN24p 279 SB VP
 RN25p 279 SE PP VP 177
 RN26p 279 SD VP
 RN27p 279 SG PQ VP 177
 RN28p 279 SF VP
 RN29p 279 SI PR VP 178
 RN30p 279 SH VP
 RN31p 279 SK PS VP 178
 RN32p 279 SJ VP
 RN33p 279 SM PT VP 176
 RN34p 279 SL VP



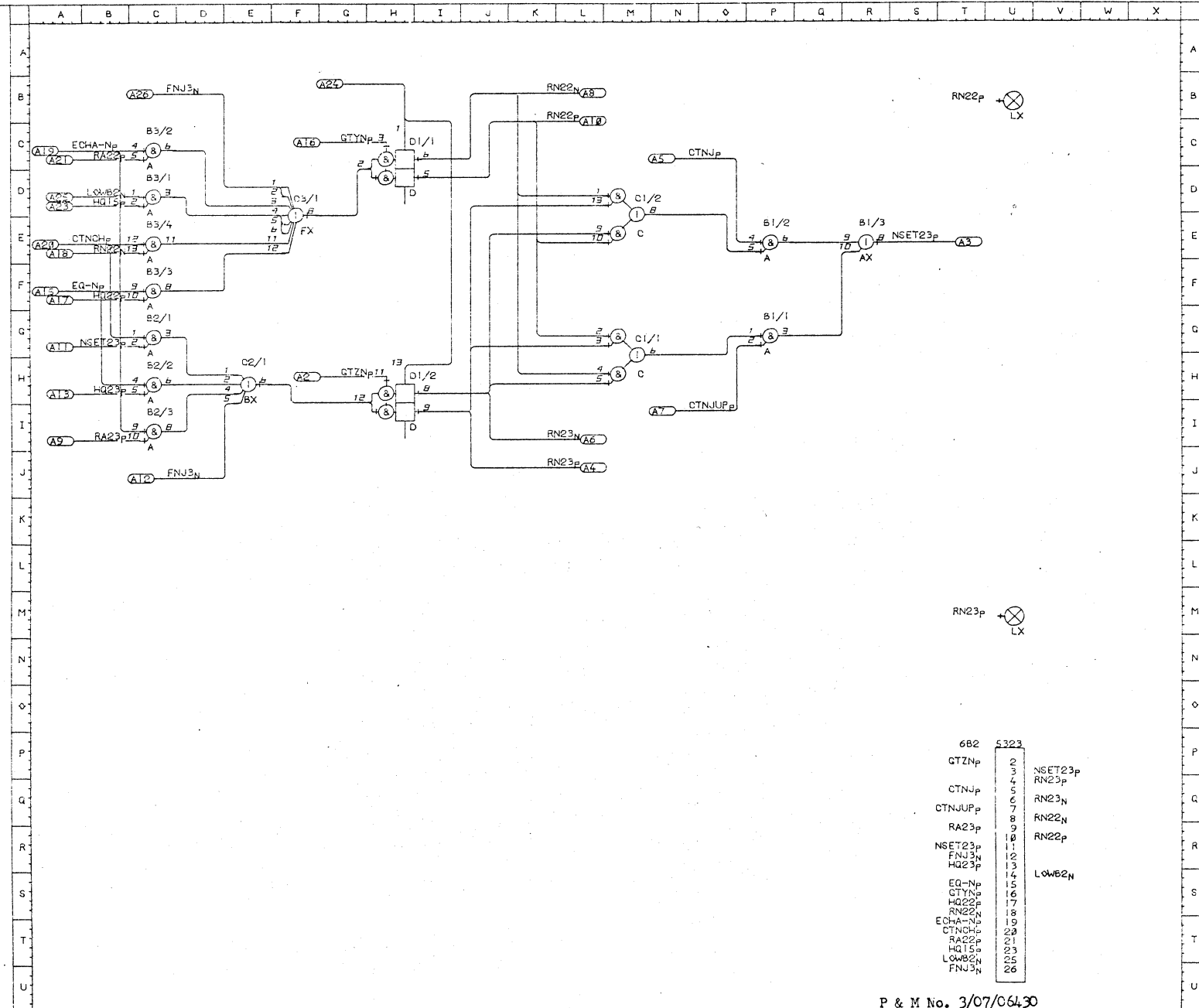
- RN10p ⊗ LX
- RN11p ⊗ LX
- RN12p ⊗ LX
- RN13p ⊗ LX
- RN14p ⊗ LX
- RN15p ⊗ LX

6B3 5327
 NSET11p
 GTLMNp
 NSET10p
 HQ15p
 GTNQNp
 HQ14p
 GTRXNp
 HQ13p
 GTNQNp
 HQ12p
 RN11N
 RN11p
 RN10N
 RN10p
 RN15N
 RN15p
 RN14N
 RN14p
 RN13N
 RN13p
 RN12N
 RN12p

- RN16p ⊗ LX
- RN17p ⊗ LX
- RN18p ⊗ LX
- RN19p ⊗ LX
- RN20p ⊗ LX
- RN21p ⊗ LX

603 5327
 HQ21p
 GTRXNp
 HQ20p
 HQ19p
 GTRXNp
 HQ18p
 GTRXNp
 HQ17p
 GTRXNp
 HQ16p
 RN21N
 RN21p
 RN20N
 RN20p
 RN19N
 RN19p
 RN18N
 RN18p
 RN17N
 RN17p
 RN16N
 RN16p

CTNChp 223 AE UP
 CTNJp 18' NG UP
 CTNJUP 104 NI UP
 ECHA-Np 54 AC UP
 EQ-Np 13 AF UP
 FNJ3N 140 OS CJ UP
 GTYNp 249 HI UP
 GTYNp 249 HI UP
 HQ23p 203 OH UP
 HQ23p 203 OH UP
 HQ23p 203 OH UP
 LOWB2N UP OD
 NSET23p RE CG UP
 RAC2p 206 CI UP
 RA23p 206 CI UP
 RN22p LC UB UP 177
 RN22N 223
 RN22N LB LB OE UP
 RN22N 223
 RN23p LJ LM UP 100
 RN23N 178 223
 RN23N LI UP 223



682	5323
GTZNp	20
CTNJp	3
CTNJUP	5
RA23p	6
NSET23p	7
FNJ3N	8
HQ23p	9
EQ-Np	10
GTYNp	11
HQ23p	12
RN22N	13
ECHA-Np	14
CTNChp	15
RA23p	16
HQ15p	17
LOWB2N	18
FNJ3N	19
NSET23p	20
RN23p	21
RN23N	22
RN22p	23
LOWB2N	24
FNJ3N	25
NSET23p	26

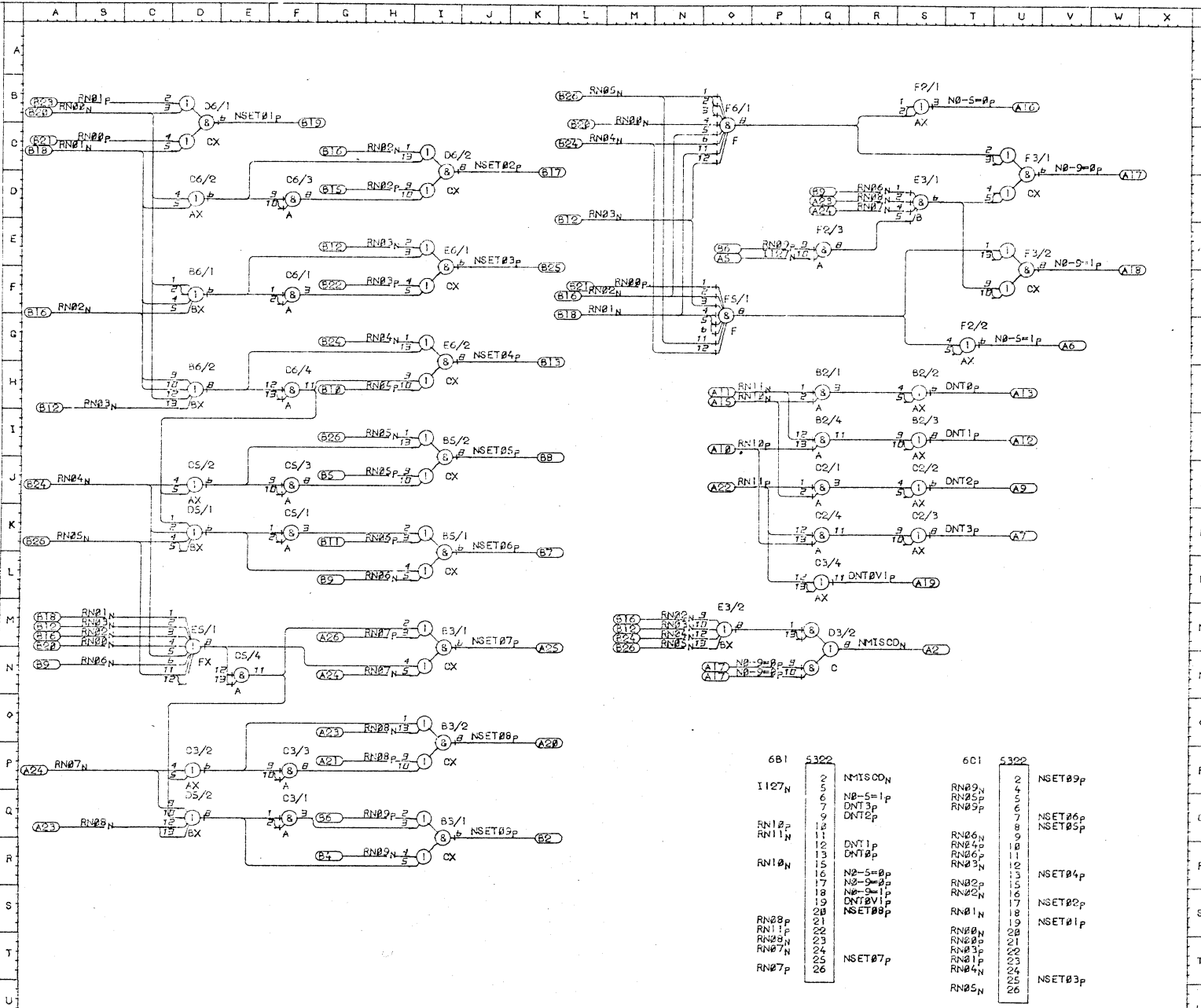
P & M No. 3/07/06430

28/02/70 N REGISTER (22,23)

WGH01***/0222

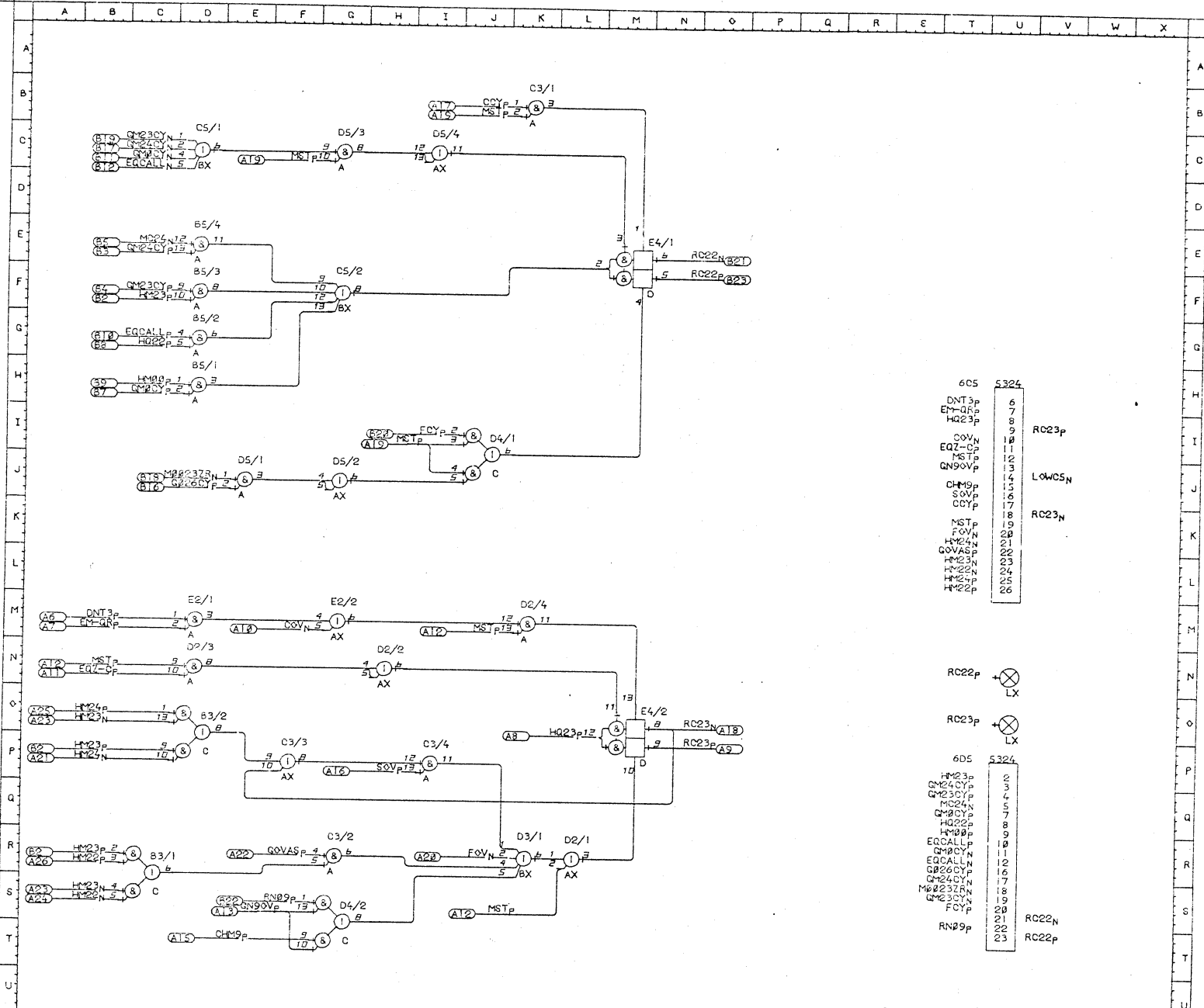
ISSUE: I	TYPE MOD: 433 00	TYPE MOD:	TYPE MOD:	TYPE MOD:	TYPE MOD:	TYPE MOD:
ACC: 2767	ECC:	ECC:	ECC:	ECC:	ECC:	ECC:

DNT0P SH QP 220
 DNT0V1P QL QP 220
 DNT1P SI QP
 DNT0P SJ QP 220
 DNT3P SK QP 220
 226
 I127N 127 13 14 17
 35 48 61 66 67
 70 72 82 81 85
 89 QP Q: 129
 135
 N0-5=0P S9 41 59 QP
 N0-5=1P TC 18 19 20
 23 41 59 QP
 139
 N0-9=0P UC 17 QM QP
 N0-9=1P UE 18 19 QP
 139
 N1100N QM QP 138
 NSET01P DB UP 222
 NSET02P IS UP 222
 NSET03P IS UP 222
 NSET04P IS UP 222
 NSET05P IS UP 222
 NSET06P IS UP 222
 NSET07P IS UP 222
 NSET08P IS UP 222
 NSET09P IS UP 222
 RN00P 220 22 DB OF
 UP 138 178 220
 262 279
 RN00N 220 AS DM OB
 UP 220
 RN21P 220 DS UP
 RN01N 220 AC DM LC
 UP 138
 RN02P 220 IC UP
 RN02N 220 AC DM IC
 LE 0M UP
 RN03P 220 IE UP
 163 172 220 262
 277
 RN03N 220 DM DM IE
 LE 0M UP
 RN04P 220 IC UP
 163 172 220 262
 277
 RN04N 220 AJ IC LC
 0M UP
 RN05P 220 II UP
 172 220 262 277
 RN05N 220 AK II LB
 0M UP 163
 RN06P 220 IK UP
 173 220 277
 RN06N 220 DM IK SD
 UP 138
 RN07P 220 22 IM QP
 173 220 277
 RN07N 220 AF IM QP
 SD
 RN08P 220 IO QP
 173 220 278
 RN08N 220 DQ IO QP
 SD
 RN09P 220 IO QP UP
 148 174 220 220
 278
 RN09N 220 IQ UP
 RN10P 221 QI QK QP
 174 221 278
 RN10N 221 QH QJ QP
 138
 RN11P 221 QJ QK QL
 139 174 220
 219 221 278
 RN11N 221 QH QI QP
 139

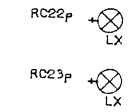


6B1	5322	6C1	5322
I127N	2 N1100N	RN09N	2 NSET09P
RN10P	3 N0-5=1P	RN05P	4 NSET06P
RN11N	4 DNT3P	RN03P	5 NSET05P
	5 DNT2P		
	6		
	7		
	8		
	9		
	10		
	11		
	12 DNT1P	RN06N	9 NSET04P
	13 DNT0P	RN04P	10
	14	RN02P	11
	15	RN07N	12
	16	RN03N	13
	17 N0-5=0P		14
	18 N0-9=0P	RN02P	15 NSET04P
	19 N0-9=1P	RN02N	16
	20 DNT0V1P		17
	21 NSET00P	RN01N	18 NSET02P
	22		19
	23	RN00N	20 NSET01P
	24	RN08P	21
	25	RN06P	22
	26	RN05P	23
		RN01P	24
		RN04N	25 NSET03P
		RN05N	26

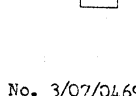
CCYP 99 KB UH
 CHM9P 223 GS UH
 COVN 180 DM UH
 DNT3P 224 DM UH
 EM-QRP 248 DM UH
 EQCALL 85 DC UP
 EQCALL 85 DC UP
 EQZ-CP 85 DN UH
 FQVP 185 JI UP
 FQVP 180 KR UH
 GQ23CP 114 EU UP
 GQ23CP 114 DM UH
 GQ23CP 114 DC UP
 GQ23CP 145 DF UP
 GQ23CP 125 DC UP
 GQ23CP 30 DE UP
 GQ23CP 30 DC UP
 GQ90VP 183 GS UH
 GOVASP 32 CR UH
 HM23P 194 DM UH
 HM23P 195 CR UH
 HM23P 193 CR DF DO
 HM23P 193 CR DO UH
 HM23P 199 DO UH
 HM23P 199 DM UH
 HM23P 223 DO UP
 HM23P 228 DO UH
 LOWC5N UH
 M0232N 198 EU UP
 M0232N 199 DE UP
 MSTP 165 DN GC JI
 MSTP 165 KR UH
 RC22P 0F 80 76 79
 UN UP 111 177
 RC22P 0E 32 UP 111
 RC23P 0F 16 42 48
 97 UH UO 189
 111 178 200
 RC23P 0X 16 17 18
 RN89P 220 GS UP
 SOVP 32 IP UH



6C5	5324
DNT3P	6
EM-QRP	7
HQ23P	8
	9
COVN	10
EQZ-CP	11
MSTP	12
GN90VP	13
	14
CHM9P	15
SOVP	16
CCYP	17
	18
MSTP	19
FQVP	20
HM24N	21
GOVASP	22
HM23N	23
HM22N	24
HM22P	25
HM22P	26

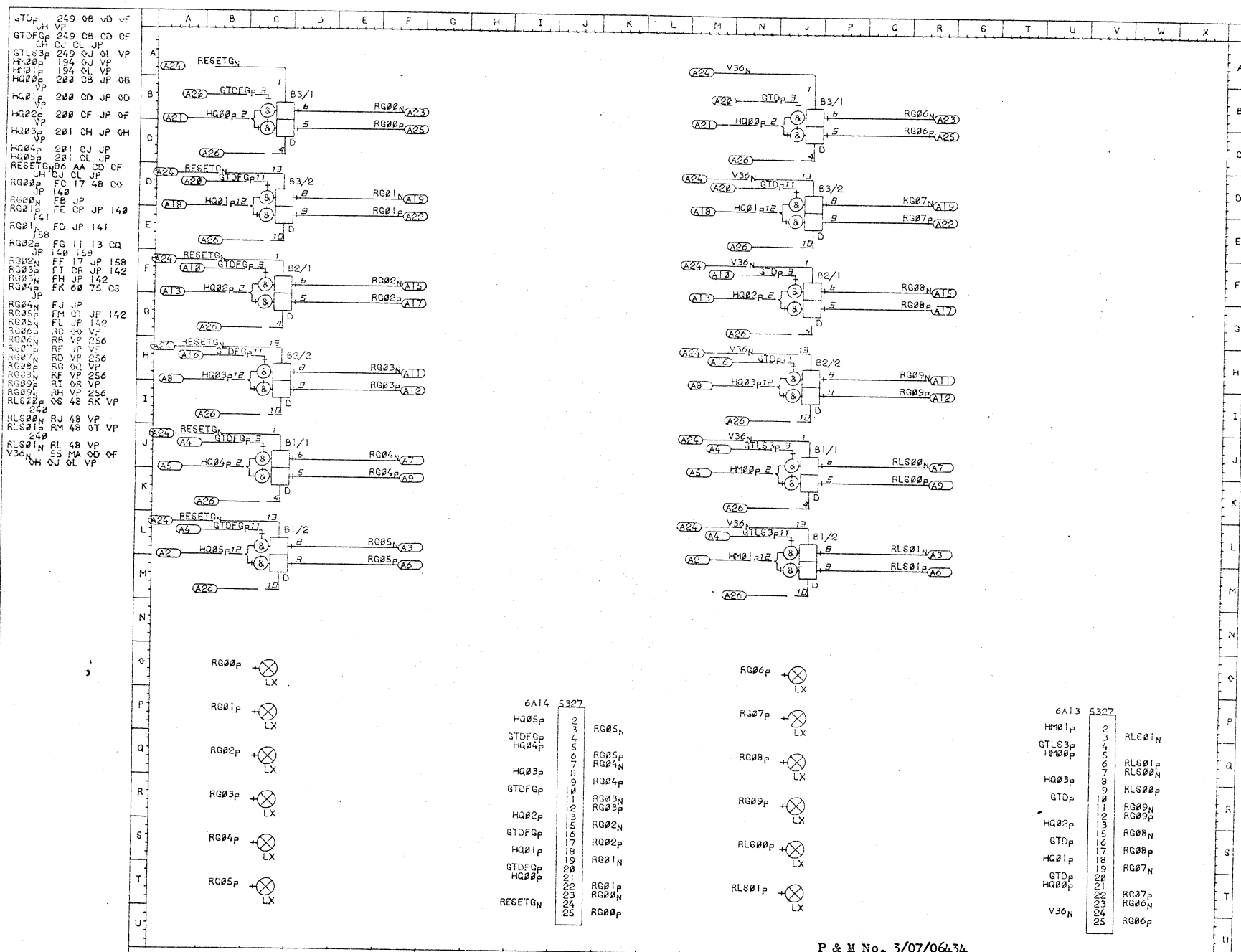


6D5	5324
HM23P	2
HM24CP	3
GM23CP	4
M024N	5
GM0CVN	6
HQ22P	8
HM00P	9
EQCALL	10
EQCALLN	11
EQCALLN	12
GM26CP	16
GM24CN	17
M0232N	18
GM23CP	19
FQVP	20
RN89P	21
	22
	23



28/02/70 CARRY & OVERFLOW P & M No. 3/07/04696 WGH01***/0226

ISSUE:	TYPE MOD:	TYPE MOD:	TYPE MOD:	TYPE MOD:	TYPE MOD:	TYPE MOD:
1						
ACC: 2767	ECC: 2342	ECC:	ECC:	ECC:	ECC:	ECC:



JTDp 249 08 VD VF
 GTDFGp 249 08 VD VF
 CH CJ CL JP
 GTLS3p 249 0J 0L VP
 HQ05p 194 0J VP
 HQ04p 194 0L VP
 HQ03p 200 0B JP 0B
 HQ2p 200 0D JP 0D
 HQ02p 200 0F JP 0F
 HQ01p 201 0H JP 0H
 HQ04p 201 0J JP
 HQ05p 201 0L JP
 RESETCN 86 AA 0D 0F
 HQ01p 140 0J 140 00
 RG00N 140 0J 140 00
 RG01N 141 0J 141 00
 RG02N 141 0J 141 00
 RG03N 141 0J 141 00
 RG04N 141 0J 141 00
 RG05N 141 0J 141 00
 RG06N 141 0J 141 00
 RG07N 141 0J 141 00
 RG08N 141 0J 141 00
 RG09N 141 0J 141 00
 RLS00N 141 0J 141 00
 RLS01N 141 0J 141 00
 V36N 141 0J 141 00

- RG00p ⊗ LX
- RG01p ⊗ LX
- RG02p ⊗ LX
- RG03p ⊗ LX
- RG04p ⊗ LX
- RG05p ⊗ LX

6A14 5327	
2	RG05N
3	GTDFGp
4	HQ04p
5	HQ03p
6	GTDFGp
7	HQ02p
8	GTDFGp
9	HQ01p
10	GTDFGp
11	HQ00p
12	RESETCN
13	HQ05p
14	HQ04p
15	HQ03p
16	GTDFGp
17	HQ02p
18	GTDFGp
19	HQ01p
20	GTDFGp
21	HQ00p
22	RESETCN
23	HQ05p
24	HQ04p
25	HQ03p

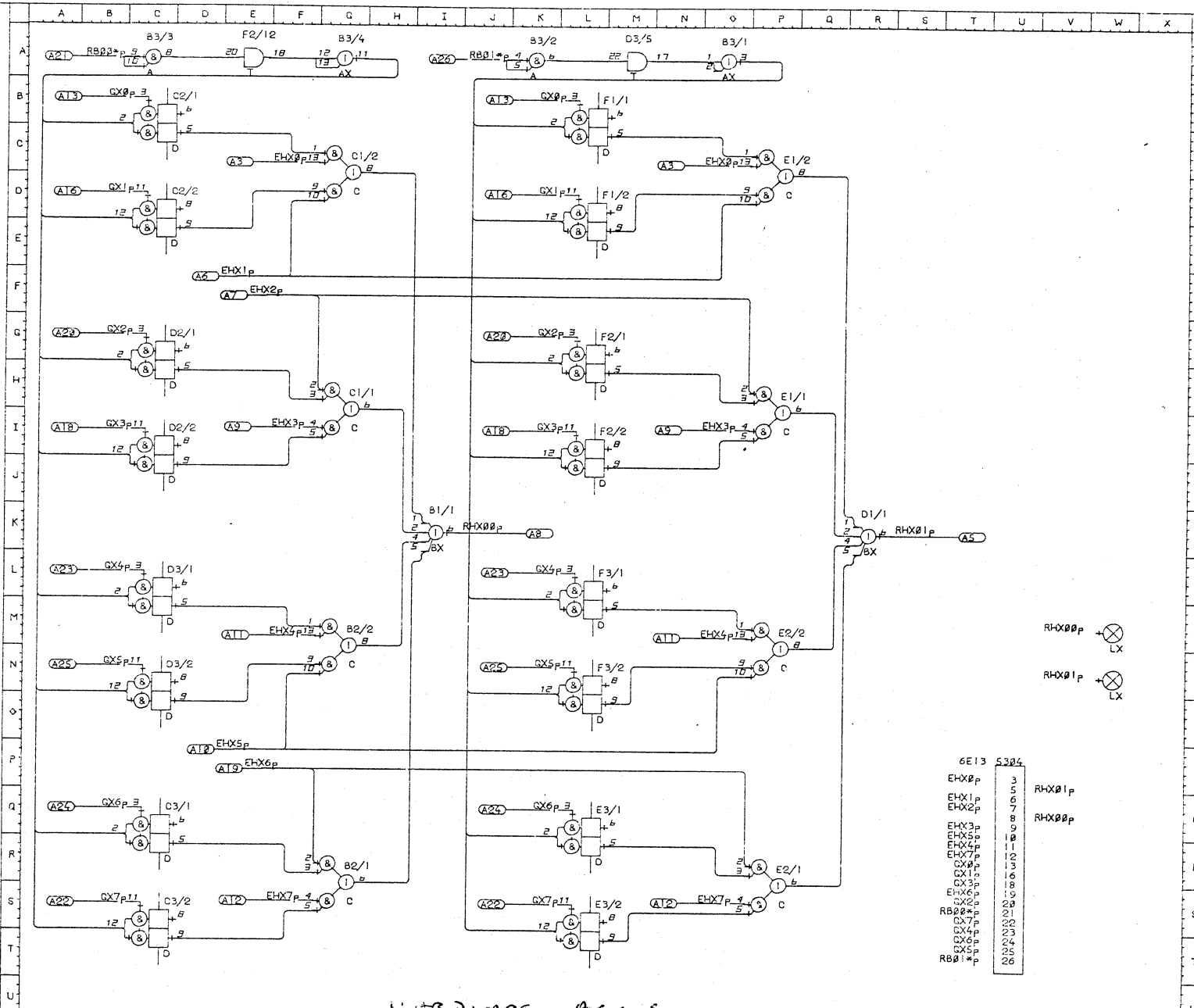
- RG06p ⊗ LX
- RG07p ⊗ LX
- RG08p ⊗ LX
- RG09p ⊗ LX
- RLS00p ⊗ LX
- RLS01p ⊗ LX

6A13 5327	
2	RLS01N
3	GTLS3p
4	HQ00p
5	GTDFGp
6	HQ03p
7	GTDFGp
8	HQ02p
9	GTDFGp
10	HQ01p
11	GTDFGp
12	HQ00p
13	RESETCN
14	HQ05p
15	HQ04p
16	HQ03p
17	GTDFGp
18	HQ02p
19	GTDFGp
20	HQ01p
21	GTDFGp
22	HQ00p
23	RESETCN
24	HQ05p
25	HQ04p

03/03/70 G REGISTER & LS3 (00.01) P & M No. 3/07/06434 WGH01***/0227

ISSUE:	TYPE MOD:	TYPE MOD:	TYPE MOD:	TYPE MOD:
I	. I			
ACD: 2767	ECC: 1157	ECC:	ECC:	ECC:

EHX8p 248
 EHX1p 249
 EHX2p 250
 EHX3p 251
 EHX4p 252
 EHX5p 253
 EHX6p 254
 EHX7p 255
 EHX8p 256
 RB82*p 257
 RB81*p 258
 RB80*p 259
 RB79*p 260
 RB78*p 261
 RB77*p 262
 RB76*p 263
 RB75*p 264
 RB74*p 265
 RB73*p 266
 RB72*p 267
 RB71*p 268
 RB70*p 269
 RB69*p 270
 RB68*p 271
 RB67*p 272
 RB66*p 273
 RB65*p 274
 RB64*p 275
 RB63*p 276
 RB62*p 277
 RB61*p 278
 RB60*p 279
 RB59*p 280
 RB58*p 281
 RB57*p 282
 RB56*p 283
 RB55*p 284
 RB54*p 285
 RB53*p 286
 RB52*p 287
 RB51*p 288
 RB50*p 289
 RB49*p 290
 RB48*p 291
 RB47*p 292
 RB46*p 293
 RB45*p 294
 RB44*p 295
 RB43*p 296
 RB42*p 297
 RB41*p 298
 RB40*p 299
 RB39*p 300
 RB38*p 301
 RB37*p 302
 RB36*p 303
 RB35*p 304
 RB34*p 305
 RB33*p 306
 RB32*p 307
 RB31*p 308
 RB30*p 309
 RB29*p 310
 RB28*p 311
 RB27*p 312
 RB26*p 313
 RB25*p 314
 RB24*p 315
 RB23*p 316
 RB22*p 317
 RB21*p 318
 RB20*p 319
 RB19*p 320
 RB18*p 321
 RB17*p 322
 RB16*p 323
 RB15*p 324
 RB14*p 325
 RB13*p 326
 RB12*p 327
 RB11*p 328
 RB10*p 329
 RB9*p 330
 RB8*p 331
 RB7*p 332
 RB6*p 333
 RB5*p 334
 RB4*p 335
 RB3*p 336
 RB2*p 337
 RB1*p 338



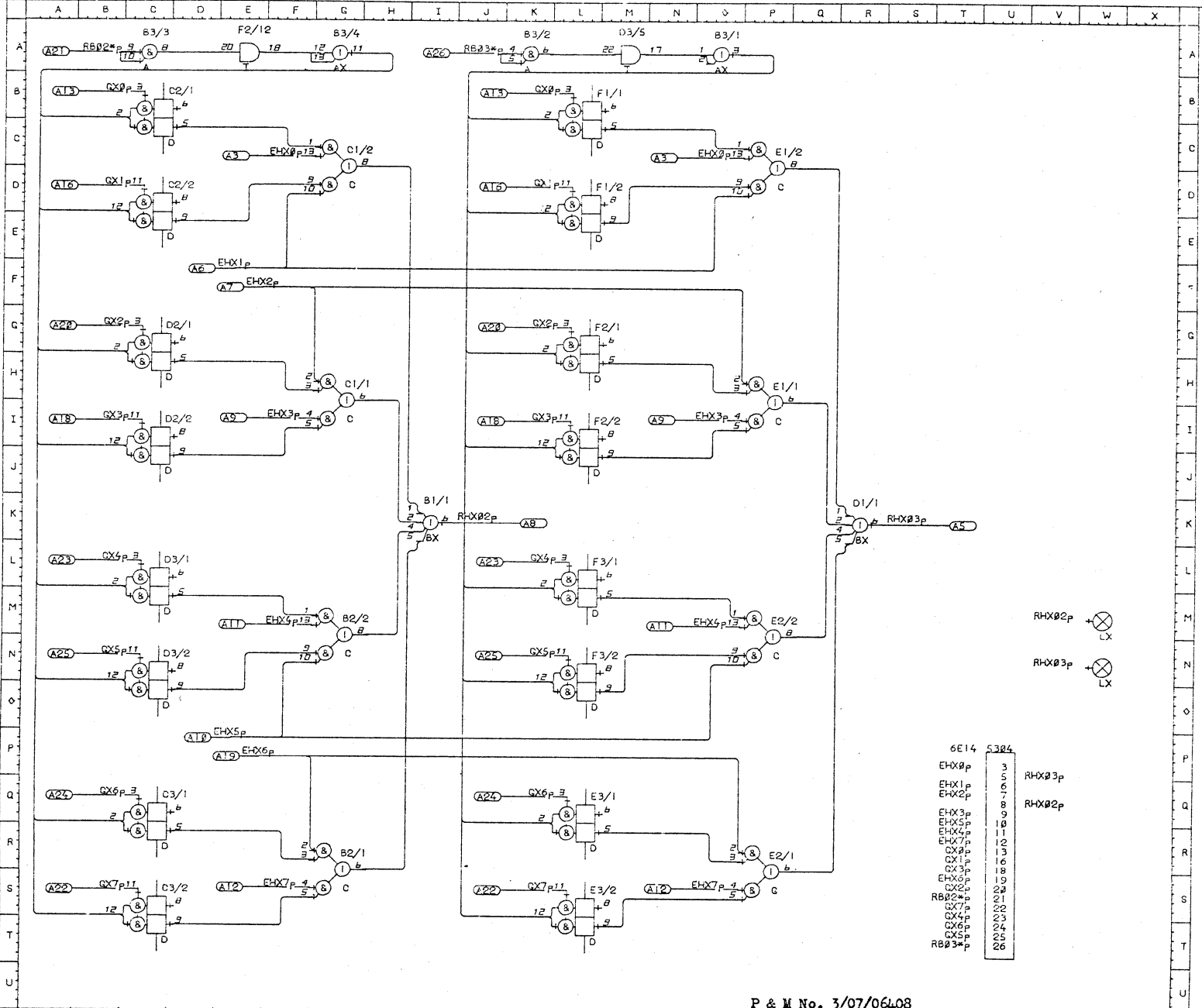
Part Number	Location
EHX8p	3
EHX1p	5
EHX2p	7
EHX3p	8
EHX5p	9
EHX4p	11
EHX7p	12
CX8p	13
CX1p	16
CX3p	18
EHX6p	19
CX2p	20
RB82*p	21
CX7p	22
CX4p	23
CX6p	24
CX5p	25
RB81*p	26

Hardware Accs.

P & M No. 3/07/06408

28/02/70		X REGISTER (00,01)		WGH01***/0228	
ISSUE: 1	TYPE MOD: 3	TYPE MOD:	TYPE MOD:	TYPE MOD:	TYPE MOD:
ACC: 2767	ECC: 3285	ECC:	ECC:	ECC:	ECC:

EHX0p 240
 EHX1p 241
 EHX2p 242
 EHX3p 243
 EHX4p 244
 EHX5p 245
 EHX6p 246
 EHX7p 247
 GX0p 248
 GX1p 249
 GX2p 250
 GX3p 251
 GX4p 252
 GX5p 253
 GX6p 254
 GX7p 255
 RB02p 256
 RB03p 257
 RHX02p 258
 RHX03p 259
 RK UP VN 260
 261
 262



6E14	5385
EHX0p	3
EHX1p	5
EHX2p	6
EHX3p	7
EHX4p	8
EHX5p	9
EHX6p	10
EHX7p	11
GX0p	12
GX1p	13
GX2p	14
GX3p	15
GX4p	16
GX5p	17
GX6p	18
GX7p	19
RB02p	20
RB03p	21
RHX02p	22
RHX03p	23
RK	24
UP	25
VN	26

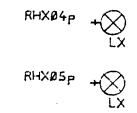
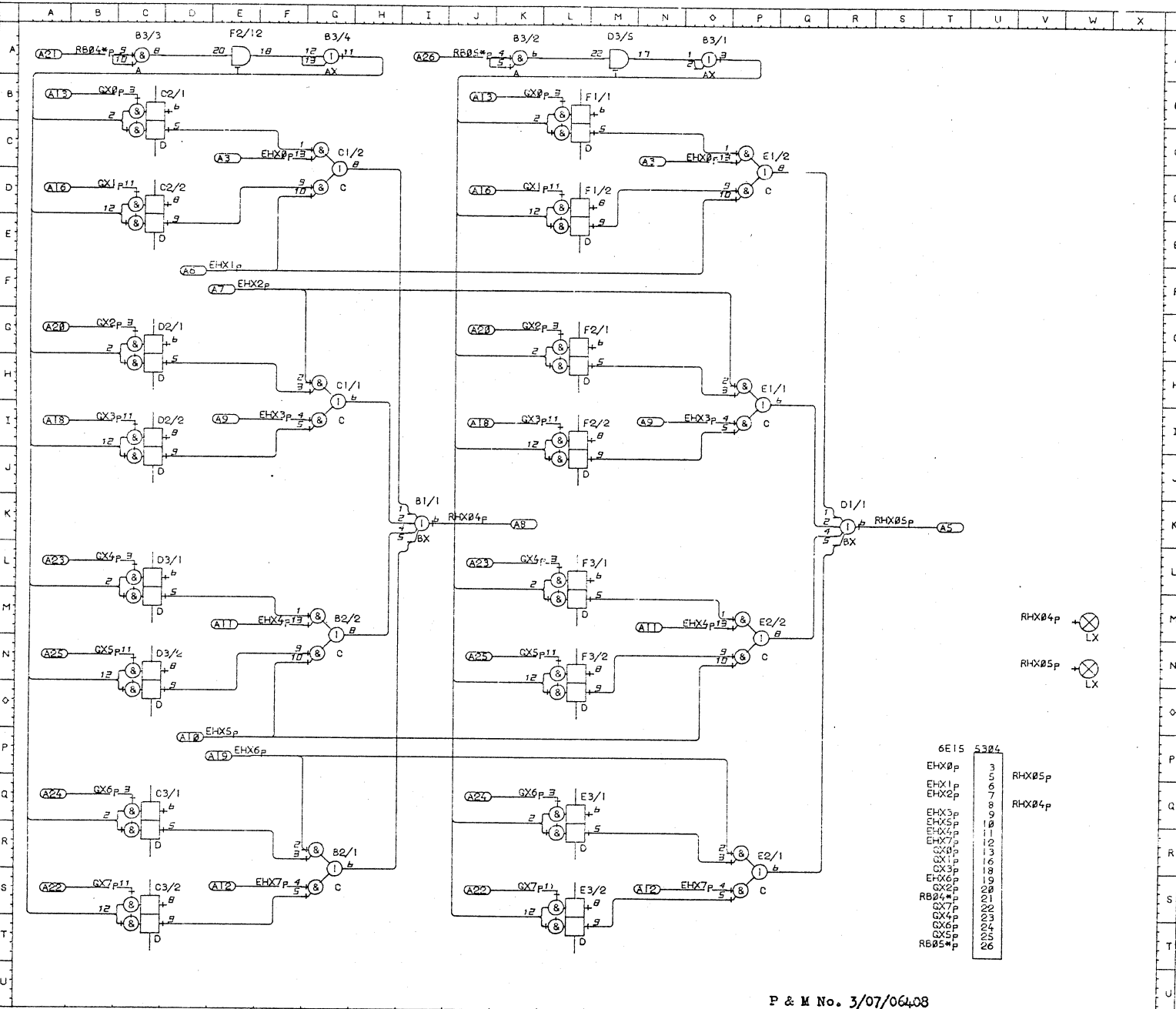
P & M No. 3/07/06408

28/02/70 X REGISTERS (02,03)

WGH01***/0229

ISSUE: 1	TYPE MOD: 3	TYPE MOD:	TYPE MOD:	TYPE MOD:	TYPE MOD:	TYPE MOD:
ACD: 2767	ECC: 3285	ECC:	ECC:	ECC:	ECC:	ECC:

EHX0p 040 CC PD UP
 EHX1p 040 CC PD UP
 EHX2p 040 CH PH UP
 EHX3p 040 CH PH UP
 EHX4p 040 CH PH UP
 EHX5p 040 CH PH UP
 EHX6p 040 CR PR UP
 EHX7p 040 CR PR UP
 CX0p 040 CB LB UP
 CX1p 040 CO LD UP
 CX2p 040 CO LD UP
 CX3p 040 CO LD UP
 CX4p 040 CL LL UP
 CX5p 040 CN LN UP
 CX6p 040 CN LN UP
 CX7p 040 CS LS UP
 RB04p 251 CA UP
 RB05p 251 KA UP
 RHX04p 1K UP W1 284
 287
 RHX05p RK UP W1 284
 287

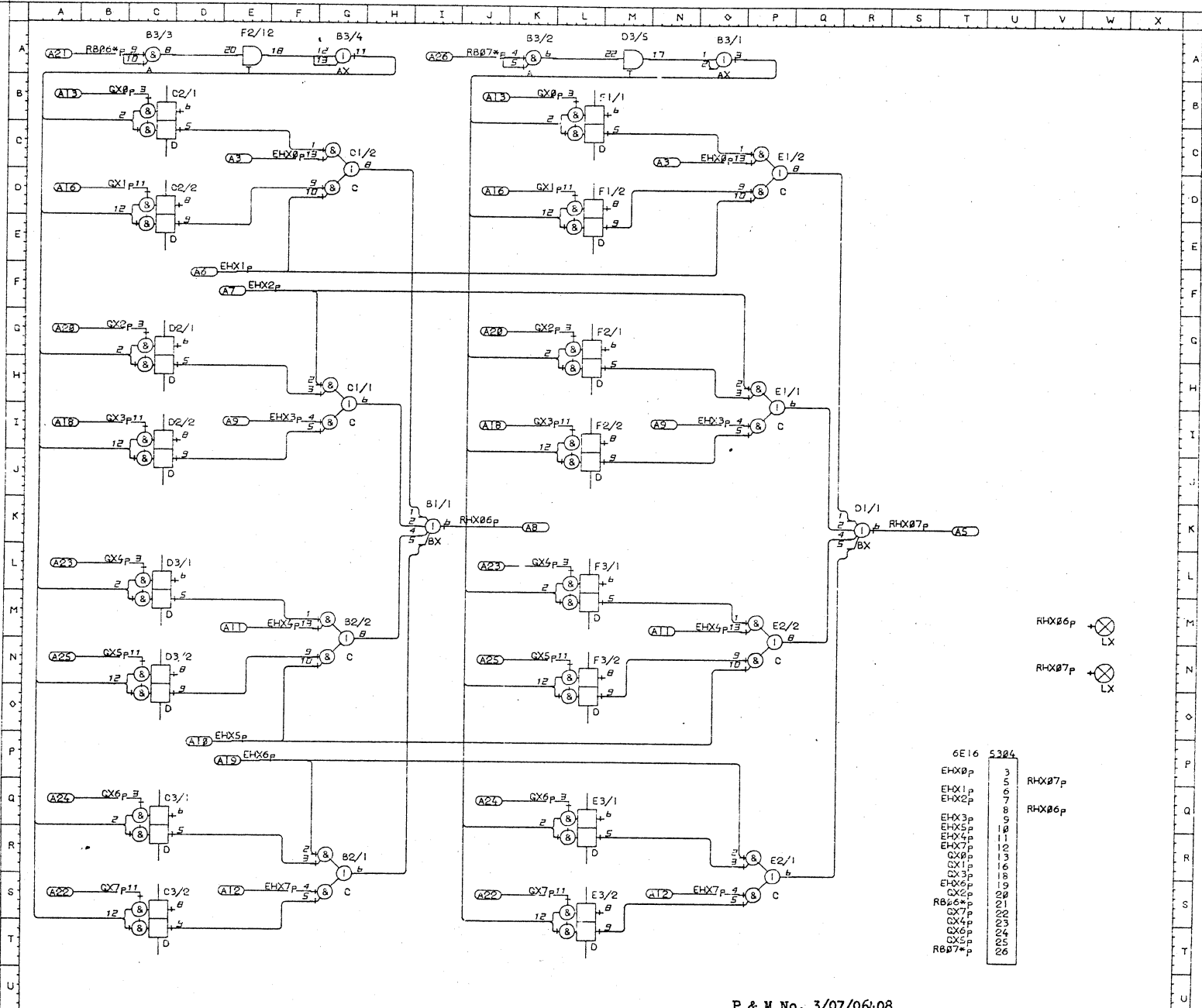


6E15	5324
EHX0p	3
EHX1p	5
EHX2p	7
EHX3p	9
EHX5p	11
EHX6p	18
EHX7p	12
CX0p	13
CX1p	16
CX3p	18
EHX6p	19
CX2p	20
RB04p	21
CX4p	22
CX6p	24
CX5p	25
RB05p	26

P & M No. 3/07/06408

28/02/70		X REGISTERS (04, 05)		WGH01***/0230	
ISSUE: 1	TYPE MOD: 3	TYPE MOD:	TYPE MOD:	TYPE MOD:	TYPE MOD:
ACC: 2767	ECC: 3285	ECC:	ECC:	ECC:	ECC:

EHX0p 240 GC PO
 EHX1p 240 CC CC
 EHX2p 240 CC CC
 EHX3p 240 CC CC
 EHX4p 240 CC CC
 EHX5p 240 CC CC
 EHX6p 240 CC CC
 EHX7p 240 CC CC
 RHX0p 251 KA UP
 RHX1p 251 KA UP
 RHX2p 251 KA UP
 RHX3p 251 KA UP
 RHX4p 251 KA UP
 RHX5p 251 KA UP
 RHX6p 251 KA UP
 RHX7p 251 KA UP
 RHX8p 251 KA UP
 RHX9p 251 KA UP
 RHX0p 284
 RHX1p 284
 RHX2p 284
 RHX3p 284
 RHX4p 284
 RHX5p 284
 RHX6p 284
 RHX7p 284
 RHX8p 284
 RHX9p 284



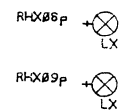
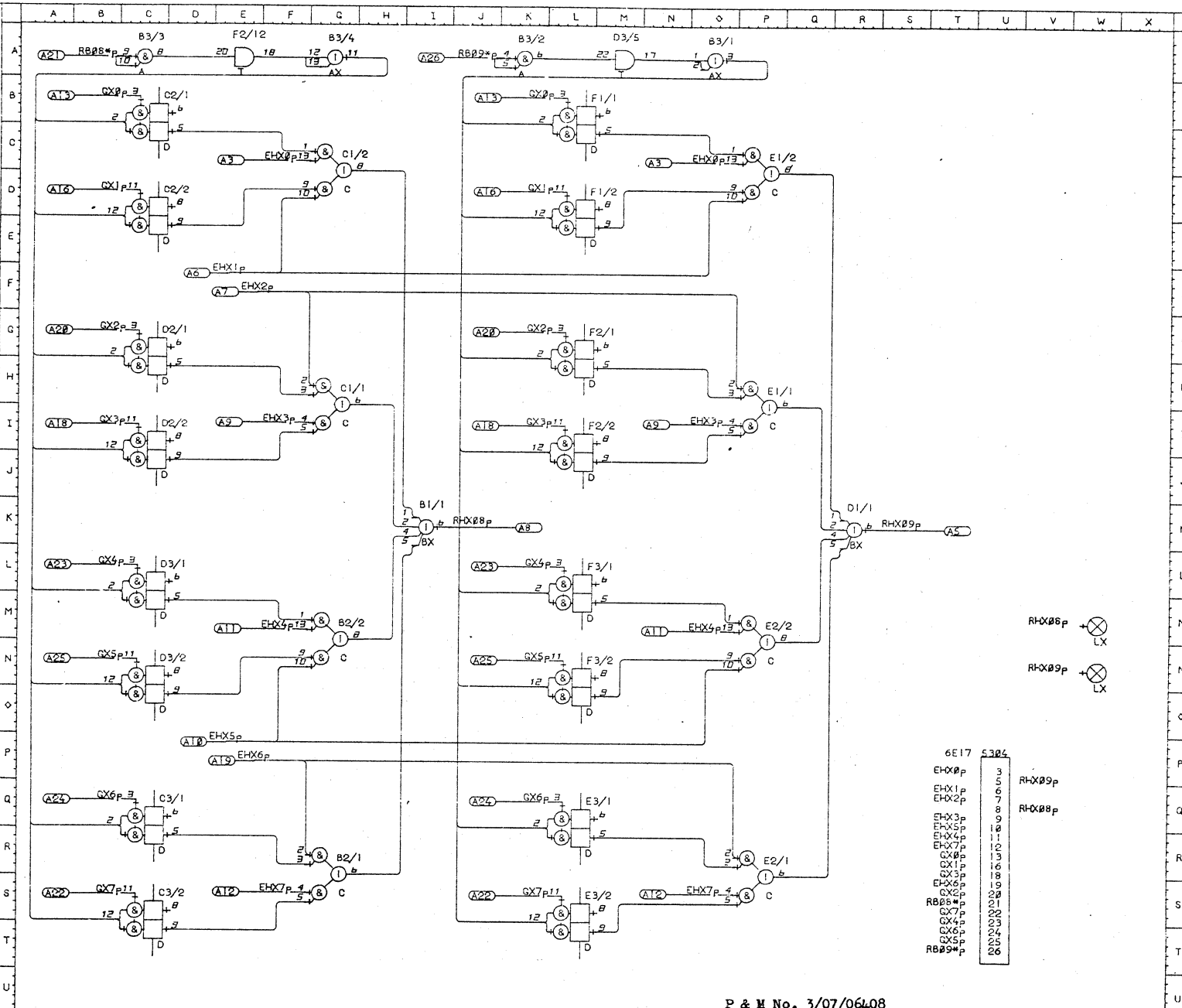
RHX06p ⊗
 RHX07p ⊗

6E16	5304	
EHX0p	3	
EHX1p	5	RHX07p
EHX2p	6	
EHX3p	7	
EHX4p	8	RHX06p
EHX5p	9	
EHX6p	10	
EHX7p	11	
CX0p	12	
CX1p	13	
CX2p	14	
CX3p	15	
CX4p	16	
CX5p	17	
CX6p	18	
CX7p	19	
RHX06p	20	
RHX07p	21	
CX0p	22	
CX1p	23	
CX2p	24	
CX3p	25	
CX4p	26	
CX5p	27	
CX6p	28	
CX7p	29	
RHX06p	30	
RHX07p	31	

P & M No. 3/07/06408

28/02/70		X REGISTERS (06,07)		WGH01***/0231	
ISSUE: 1	TYPE MOD: 3	TYPE MOD:	TYPE MOD:	TYPE MOD:	TYPE MOD:
ACD: 2767	ECC: 3235	ECC:	ECC:	ECC:	ECC:

EHX8p	248	CC	PC	UP
EHX1p	248	CC	PC	UP
EHX2p	248	CC	PC	UP
EHX3p	248	CC	PC	UP
EHX4p	248	CC	PC	UP
EHX5p	248	CC	PC	UP
EHX6p	248	CC	PC	UP
EHX7p	248	CC	PC	UP
GX8p	248	CC	PC	UP
GX1p	248	CC	PC	UP
GX2p	248	CC	PC	UP
GX3p	248	CC	PC	UP
GX4p	248	CC	PC	UP
GX5p	248	CC	PC	UP
GX6p	248	CC	PC	UP
GX7p	248	CC	PC	UP
R888p	251	KA	WA	UP
R889p	251	KA	WA	UP
RHX88p	288	IK	UP	WN
RHX89p	288	IK	UP	WN



6E17	5384
EHX8p	103
EHX1p	103
EHX2p	103
EHX3p	111
EHX4p	111
EHX5p	111
EHX6p	111
EHX7p	111
GX8p	163
GX1p	163
GX2p	163
GX3p	163
GX4p	163
GX5p	163
GX6p	163
GX7p	163
R888p	201
R889p	201
RHX88p	288
RHX89p	288

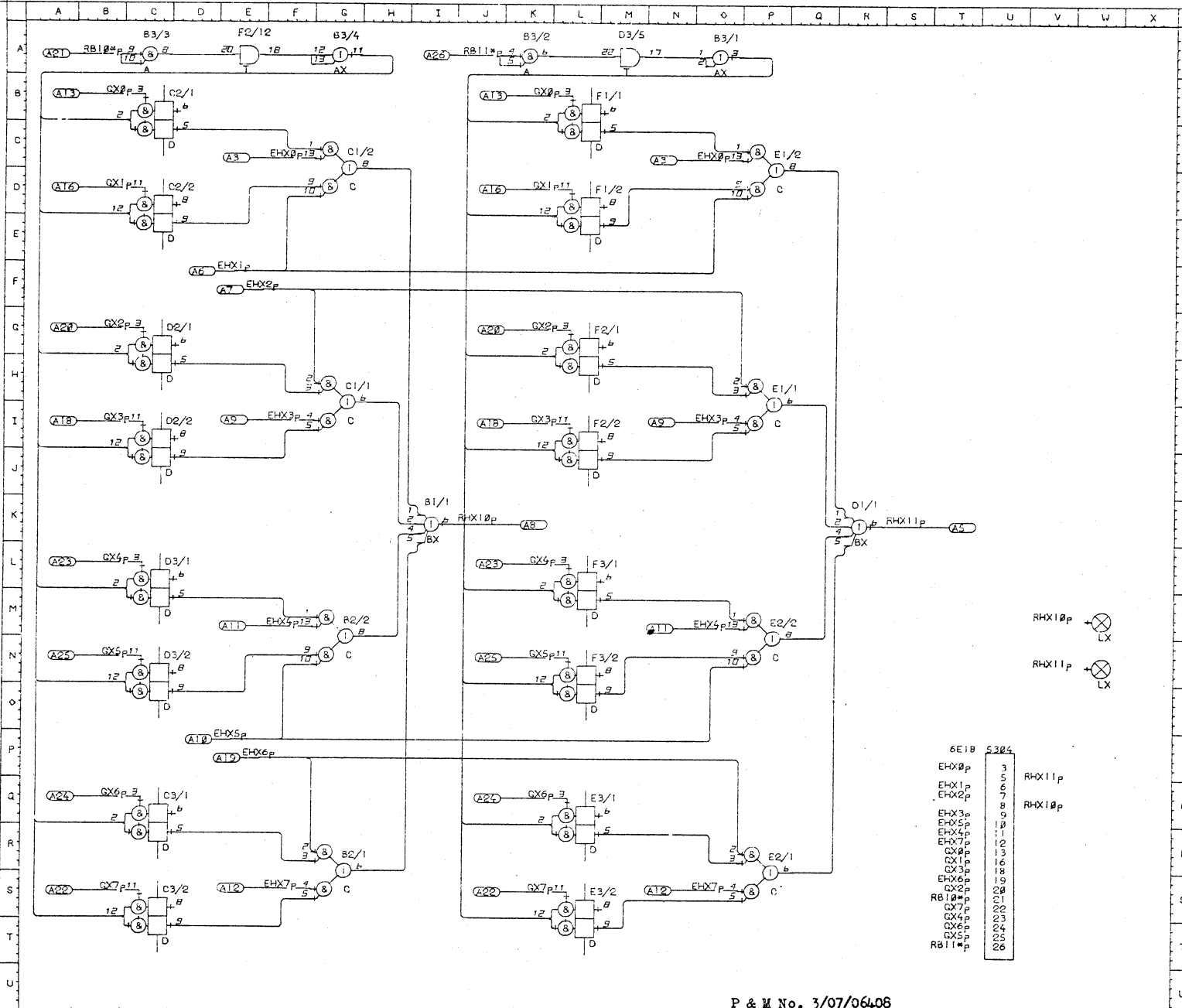
P & M No. 3/07/06408

ISSUE: 1		TYPE MOD: 3		TYPE MOD:		TYPE MOD:		TYPE MOD:		TYPE MOD:		TYPE MOD:	
ACD: 2767		ECC: 3285		ECC:		ECC:		ECC:		ECC:		ECC:	

28/02/70 X REGISTERS (08,09)

WGH01***/0232

EHX0p 0249 CC PC UP
 EHX1p 0249 CC PC UP
 EHX2p 0249 CC PH UP
 EHX3p 0249 CC PH UP
 EHX4p 0249 CC PH UP
 EHX5p 0249 CC PH UP
 EHX6p 0249 CC PH UP
 EHX7p 0249 CC PH UP
 GX0p 0249 CC LD UP
 GX1p 0249 CC LD UP
 GX2p 0249 CC LD UP
 GX3p 0249 CC LD UP
 GX4p 0249 CC LD UP
 GX5p 0249 CC LD UP
 GX6p 0249 CC LD UP
 GX7p 0249 CC LD UP
 RB10p 0251 KA UP
 RB11p 0251 KA UP
 RHX10p 1R UP W 205
 208
 RHX11p 1R UP W 205
 208



6E1B	5384
EHX0p	3
EHX1p	5
EHX2p	7
EHX3p	8
EHX4p	9
EHX5p	11
EHX6p	12
EHX7p	13
GX0p	16
GX1p	18
GX2p	19
GX3p	20
GX4p	21
GX5p	22
GX6p	23
GX7p	24
RB10p	25
RB11p	26

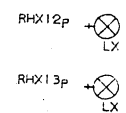
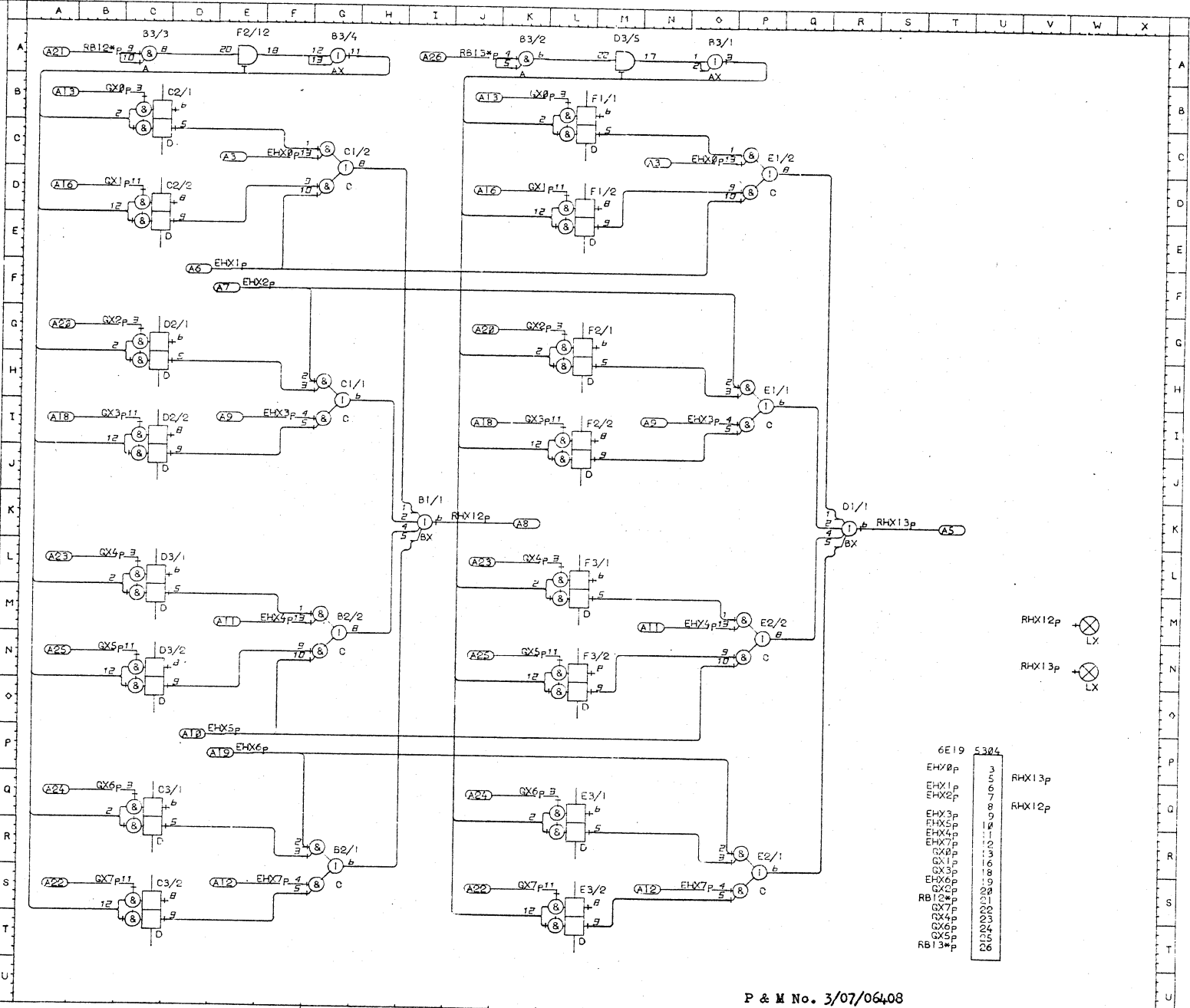
P & M No. 3/07/06408

CCW:0199 28/02/70 X REGISTERS (10,11)

WGH01***/0233

ISSUE:	TYPE	MOD:	TYPE	MOD:	TYPE	MOD:	TYPE	MOD:	TYPE	MOD:
1		3								
ACD: 2767	ECC:	3285	ECC:		ECC:		ECC:		ECC:	

EHX0p 240
 EHX1p 240
 EHX2p 240
 EHX3p 240
 EHX4p 240
 EHX5p 240
 EHX6p 240
 EHX7p 240
 RB12mp 251
 RB13mp 251
 RHX12p 205
 RHX13p 205
 208



6E19	5304
EHX0p	3
EHX1p	5
EHX2p	6
EHX3p	7
EHX4p	8
EHX5p	9
EHX6p	10
EHX7p	11
GX0p	12
GX1p	13
GX2p	14
GX3p	15
GX4p	16
GX5p	17
GX6p	18
GX7p	19
RB12mp	20
RB13mp	21
RHX12p	22
RHX13p	23

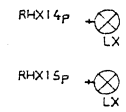
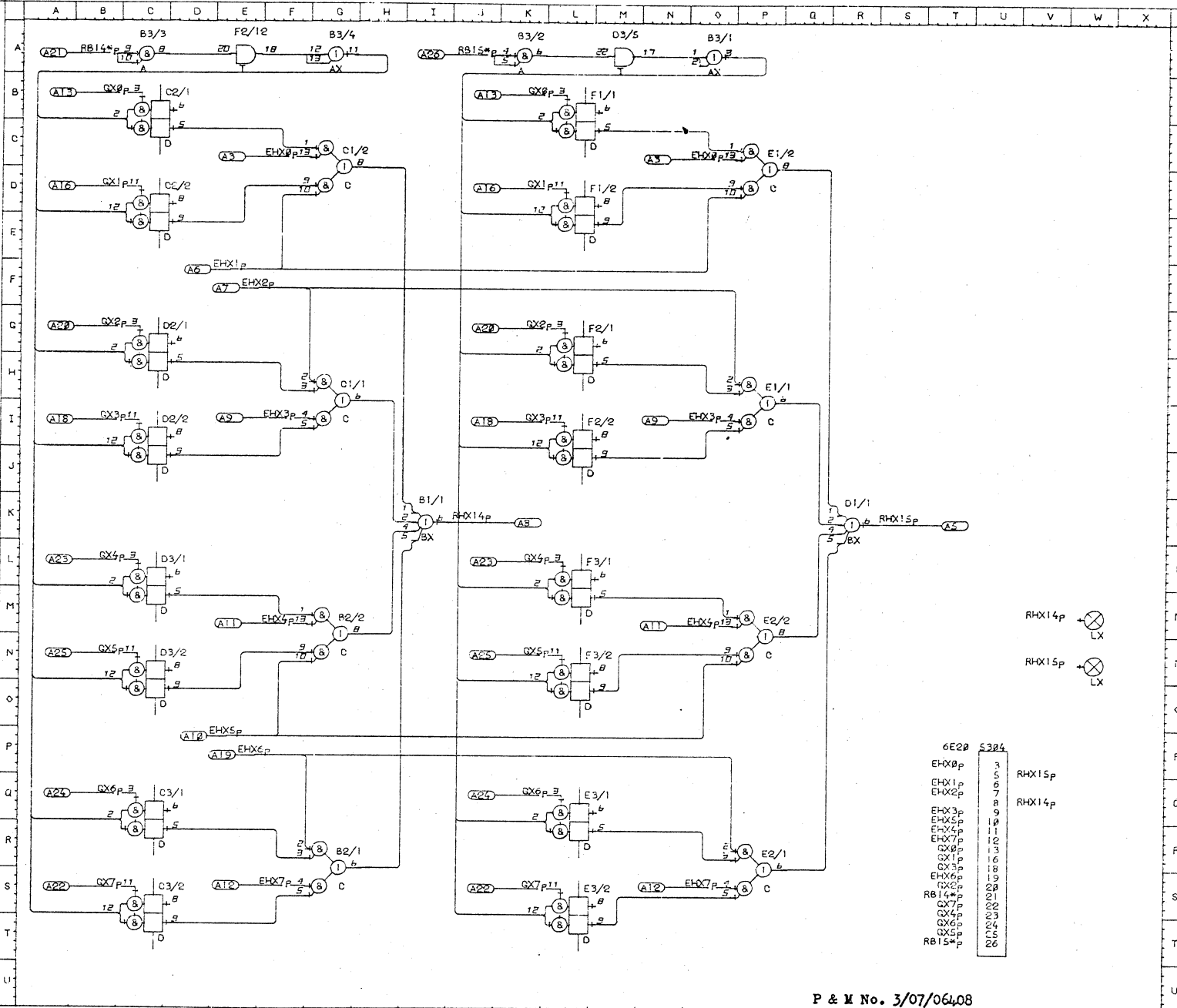
P & M No. 3/07/06408

28/02/70 X REGISTERS (12, 13)

WGH01***/0234

ISSUE: 1	TYPE MOD: 3	TYPE MOD:	TYPE MOD:	TYPE MOD:	TYPE MOD:	TYPE MOD:
ACD: 2767	ECC: 3285	ECC:	ECC:	ECC:	ECC:	ECC:

EHX0p	240	00	PP	UP
EHX1p	240	01	PP	UP
EHX2p	240	02	PP	UP
EHX3p	240	03	PP	UP
EHX4p	240	04	PP	UP
EHX5p	240	05	PP	UP
EHX6p	240	06	PP	UP
EHX7p	240	07	PP	UP
GX2p	240	08	CC	UP
GX1p	240	09	CC	UP
GX2p	240	10	CC	UP
GX3p	240	11	CC	UP
GX4p	240	12	CC	UP
GX5p	240	13	CC	UP
GX6p	240	14	CC	UP
GX7p	240	15	CC	UP
RB14p	251	00	KA	UP
RB15p	251	01	KA	UP
RHX14p	285	00	KA	UP
RHX15p	285	01	KA	UP
288				
RHX15p	288			
288				



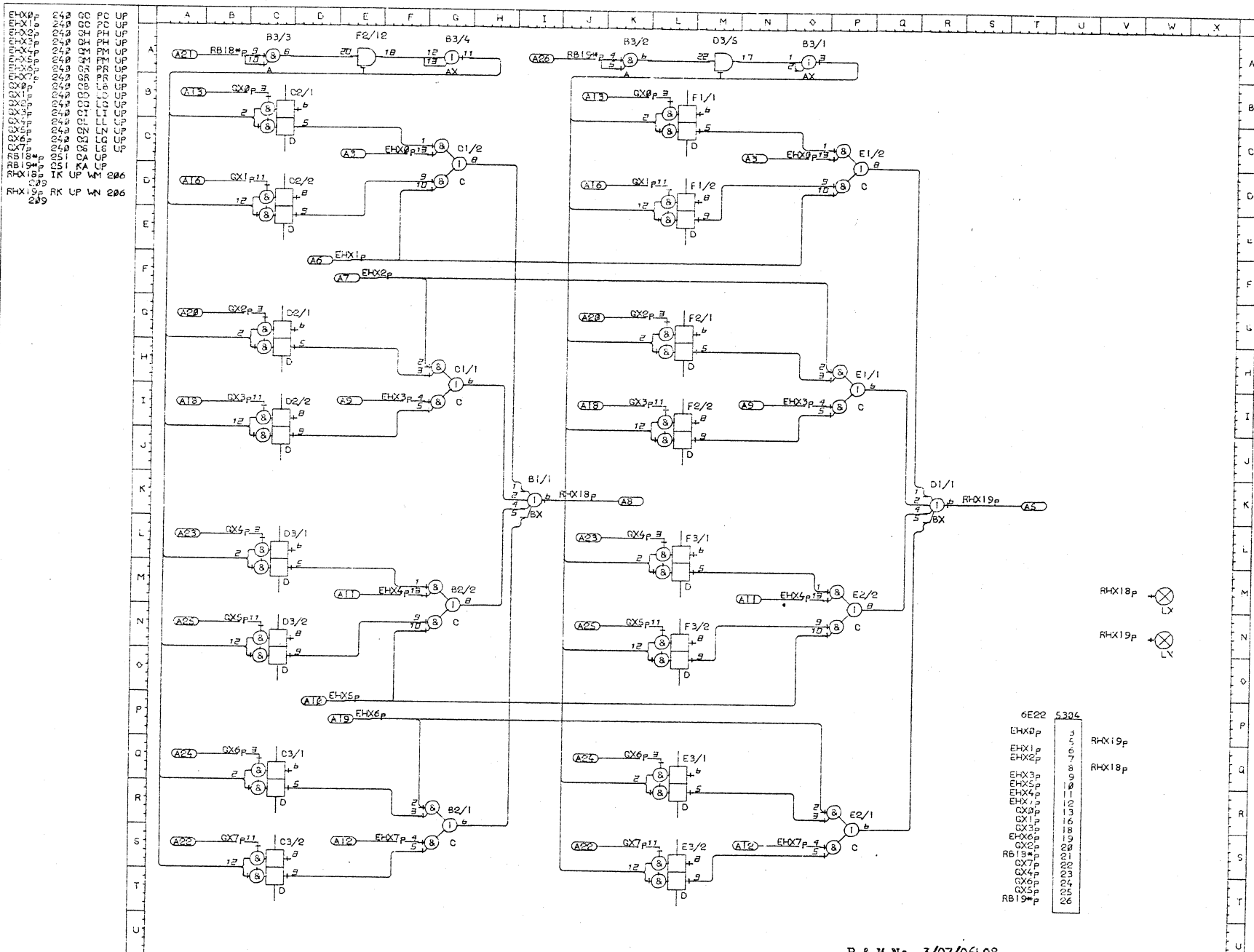
6E20	5385
EHX0p	3
EHX1p	5
EHX2p	6
EHX3p	7
EHX4p	8
EHX5p	9
EHX6p	10
EHX7p	11
GX2p	12
GX1p	13
GX2p	16
GX3p	18
GX4p	19
GX5p	20
GX6p	21
GX7p	22
RB14p	23
RB15p	24
RHX14p	25
RHX15p	26

P & M No. 3/07/06408

28/02/70 X REGISTERS 14, 15

WGH01 *** / 0235

ISSUE: 1	TYPE MOD: 3	TYPE MOD:	TYPE MOD:	TYPE MOD:	TYPE MOD:	TYPE MOD:
ACD: 2767	ECC: 3285	ECC:	ECC:	ECC:	ECC:	ECC:

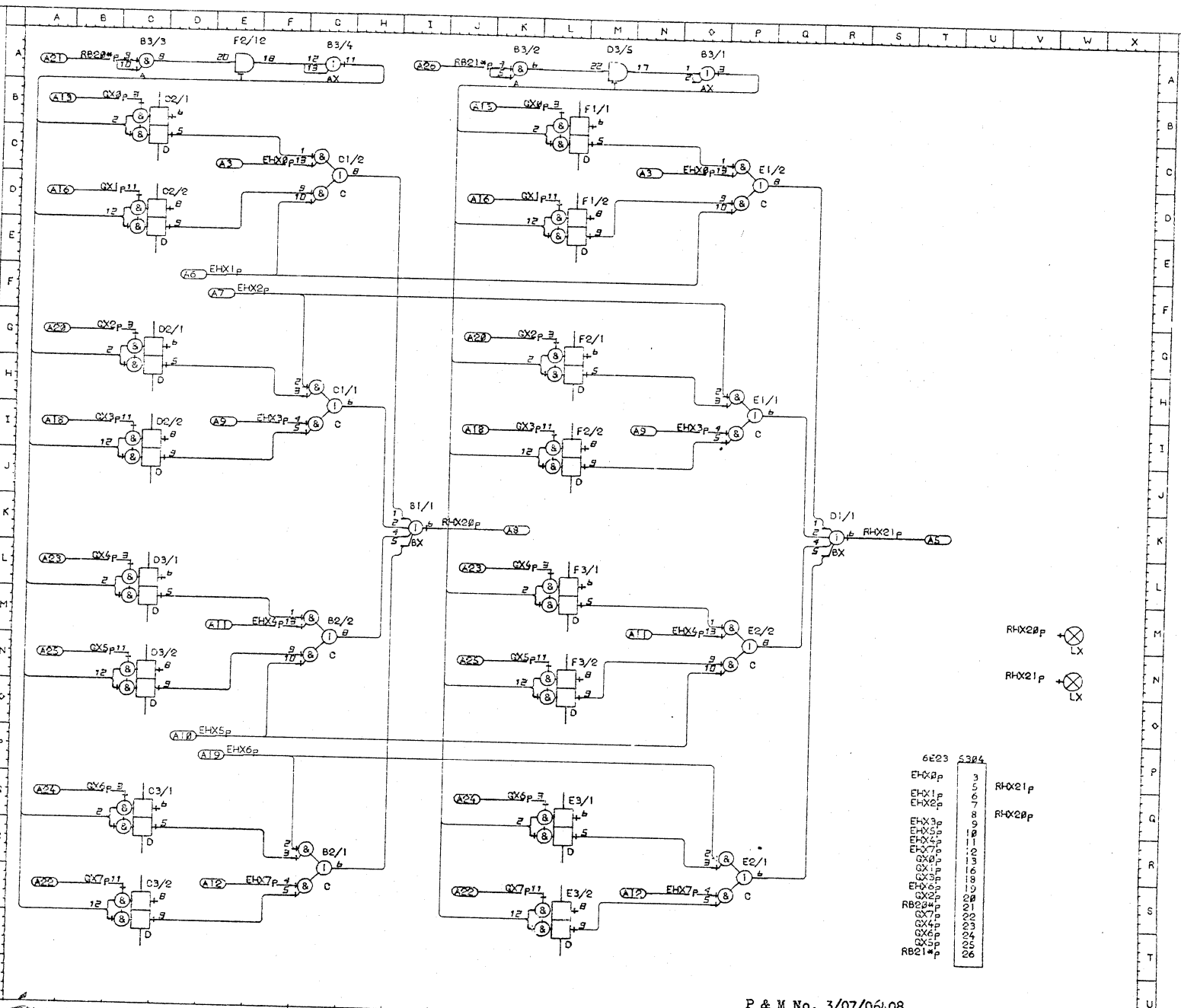


6E22	5304	
EHX0p	3	
EHX1p	5	RHX19p
EHX2p	4	
EHX3p	8	
EHX4p	9	RHX18p
EHX5p	11	
EHX6p	10	
GX0p	12	
GX1p	13	
GX2p	6	
GX3p	18	
EHX0p	19	
GX2p	20	
RB19p	21	
GX1p	22	
GX4p	23	
GX6p	24	
GX5p	25	
RB19p	26	

28/02/70 X REGISTERS (18, 19) P & M No. 3/07/06408 WGH01***/0237

ISSUE:	TYPE MOD: 3	TYPE MOD:	TYPE MOD:	TYPE MOD:	TYPE MOD:	TYPE MOD:
ACD: 2767	ECC: 3285	ECC:	ECC:	ECC:	ECC:	ECC:

EHX8p 243
 EHX7p 244
 EHX6p 245
 EHX5p 246
 EHX4p 247
 EHX3p 248
 EHX2p 249
 EHX1p 250
 GX8p 251
 GX7p 252
 GX6p 253
 GX5p 254
 GX4p 255
 GX3p 256
 GX2p 257
 GX1p 258
 RB21p 259
 RB20p 260
 RB19p 261
 RB18p 262
 RB17p 263
 RB16p 264
 RB15p 265
 RB14p 266
 RB13p 267
 RB12p 268
 RB11p 269
 RB10p 270
 RB9p 271
 RB8p 272
 RB7p 273
 RB6p 274
 RB5p 275
 RB4p 276
 RB3p 277
 RB2p 278
 RB1p 279
 RK UP VN 286
 RHX21p 289



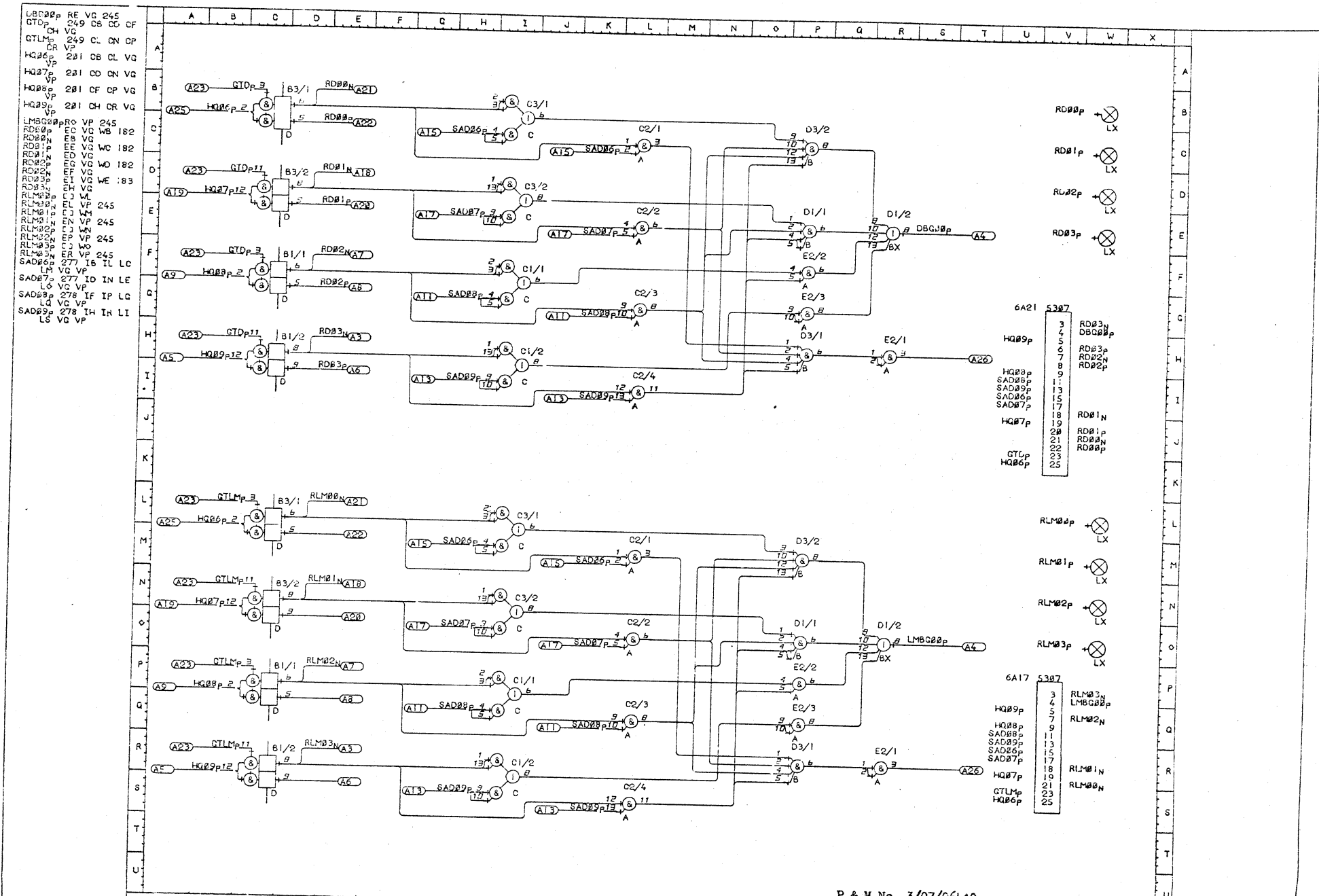
6E23	53B4
EHX8p	3
EHX1p	5
EHX2p	6
EHX3p	7
EHX4p	8
EHX5p	9
EHX6p	10
EHX7p	11
GX8p	12
GX7p	13
GX6p	14
GX5p	15
GX4p	16
GX3p	17
GX2p	18
GX1p	19
RB20p	20
RB19p	21
RB18p	22
RB17p	23
RB16p	24
RB15p	25
RB14p	26

28/02/70 X REGISTERS (20, 21)

P & M No. 3/07/06408

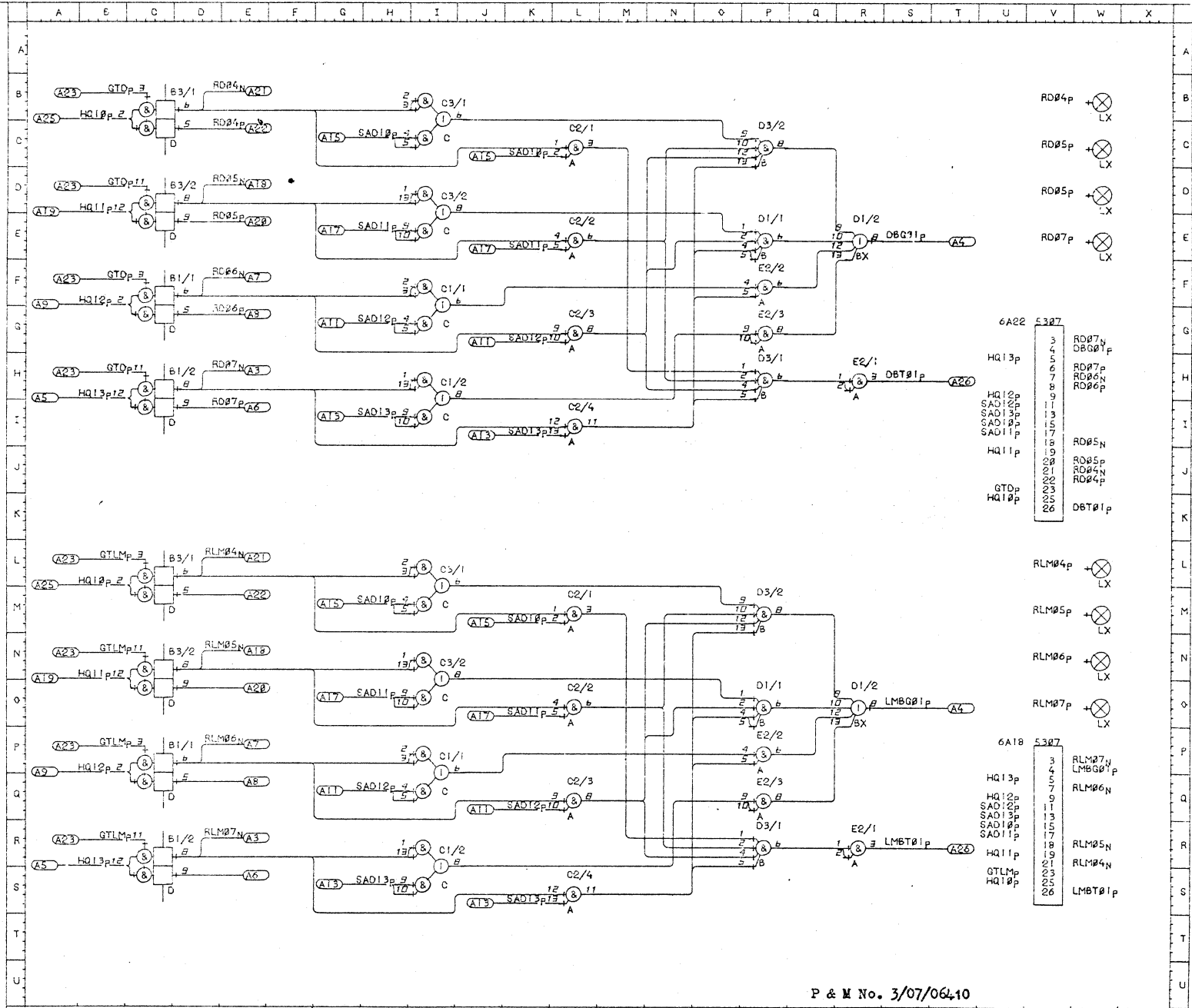
ISSUE: 1	TYPE MOD: 3	TYPE MOD:	TYPE MOD:	TYPE MOD:	WGHO1***/0238
ACC: 2767	ECC: 3285	ECC:	ECC:	ECC:	TYPE MOD: TYPE MOD: TYPE MOD: TYPE MOD: TYPE MOD: TYPE MOD:

CBZ-Xp98 IM RC RE
RG RI RK RM RO
CBZ-Xp98 IM PD RF
RH RJ RL RN RP
CHXp DD IM 228
229 230 231 232
233 234 235 236
237 238 239
EHX1p DD IM 228
229 230 231 232
233 234 235 236
237 238 239
EHX2p DD IM 228
229 230 231 232
233 234 235 236
237 238 239
EHX3p D1 IM 228
229 230 231 232
233 234 235 236
237 238 239
EHX4p DK IM 228
229 230 231 232
233 234 235 236
237 238 239
EHX5p CM IM 228
229 230 231 232
233 234 235 236
237 238 239
EHX6p DO IM 228
229 230 231 232
233 234 235 236
237 238 239
EHX7p DD IM 228
229 230 231 232
233 234 235 236
237 238 239
EHX8p AN 108 CB IM
109 110 111 112
113 114 115 116
117 118 119 120
121 122 123 124
125 126 127 128
129 130 131 132
133 134 135 136
137 138 139 140
141 142 143 144
145 146 147 148
149 150 151 152
153 154 155 156
157 158 159 160
161 162 163 164
165 166 167 168
169 170 171 172
173 174 175 176
177 178 179 180
181 182 183 184
185 186 187 188
189 190 191 192
193 194 195 196
197 198 199 200
201 202 203 204
205 206 207 208
209 210 211 212
213 214 215 216
217 218 219 220
221 222 223 224
225 226 227 228
229 230 231 232
233 234 235 236
237 238 239
240 241 242 243
244 245 246 247
248 249 250 251
252 253 254 255
256 257 258 259
260 261 262 263
264 265 266 267
268 269 270 271
272 273 274 275
276 277 278 279
280 281 282 283
284 285 286 287
288 289 290 291
292 293 294 295
296 297 298 299
300 301 302 303
304 305 306 307
308 309 310 311
312 313 314 315
316 317 318 319
320 321 322 323
324 325 326 327
328 329 330 331
332 333 334 335
336 337 338 339
340 341 342 343
344 345 346 347
348 349 350 351
352 353 354 355
356 357 358 359
360 361 362 363
364 365 366 367
368 369 370 371
372 373 374 375
376 377 378 379
380 381 382 383
384 385 386 387
388 389 390 391
392 393 394 395
396 397 398 399
400 401 402 403
404 405 406 407
408 409 410 411
412 413 414 415
416 417 418 419
420 421 422 423
424 425 426 427
428 429 430 431
432 433 434 435
436 437 438 439
440 441 442 443
444 445 446 447
448 449 450 451
452 453 454 455
456 457 458 459
460 461 462 463
464 465 466 467
468 469 470 471
472 473 474 475
476 477 478 479
480 481 482 483
484 485 486 487
488 489 490 491
492 493 494 495
496 497 498 499
500 501 502 503
504 505 506 507
508 509 510 511
512 513 514 515
516 517 518 519
520 521 522 523
524 525 526 527
528 529 530 531
532 533 534 535
536 537 538 539
540 541 542 543
544 545 546 547
548 549 550 551
552 553 554 555
556 557 558 559
560 561 562 563
564 565 566 567
568 569 570 571
572 573 574 575
576 577 578 579
580 581 582 583
584 585 586 587
588 589 590 591
592 593 594 595
596 597 598 599
600 601 602 603
604 605 606 607
608 609 610 611
612 613 614 615
616 617 618 619
620 621 622 623
624 625 626 627
628 629 630 631
632 633 634 635
636 637 638 639
640 641 642 643
644 645 646 647
648 649 650 651
652 653 654 655
656 657 658 659
660 661 662 663
664 665 666 667
668 669 670 671
672 673 674 675
676 677 678 679
680 681 682 683
684 685 686 687
688 689 690 691
692 693 694 695
696 697 698 699
700 701 702 703
704 705 706 707
708 709 710 711
712 713 714 715
716 717 718 719
720 721 722 723
724 725 726 727
728 729 730 731
732 733 734 735
736 737 738 739
740 741 742 743
744 745 746 747
748 749 750 751
752 753 754 755
756 757 758 759
760 761 762 763
764 765 766 767
768 769 770 771
772 773 774 775
776 777 778 779
780 781 782 783
784 785 786 787
788 789 790 791
792 793 794 795
796 797 798 799
800 801 802 803
804 805 806 807
808 809 810 811
812 813 814 815
816 817 818 819
820 821 822 823
824 825 826 827
828 829 830 831
832 833 834 835
836 837 838 839
840 841 842 843
844 845 846 847
848 849 850 851
852 853 854 855
856 857 858 859
860 861 862 863
864 865 866 867
868 869 870 871
872 873 874 875
876 877 878 879
880 881 882 883
884 885 886 887
888 889 890 891
892 893 894 895
896 897 898 899
900 901 902 903
904 905 906 907
908 909 910 911
912 913 914 915
916 917 918 919
920 921 922 923
924 925 926 927
928 929 930 931
932 933 934 935
936 937 938 939
940 941 942 943
944 945 946 947
948 949 950 951
952 953 954 955
956 957 958 959
960 961 962 963
964 965 966 967
968 969 970 971
972 973 974 975
976 977 978 979
980 981 982 983
984 985 986 987
988 989 990 991
992 993 994 995
996 997 998 999
1000 1001 1002 1003
1004 1005 1006 1007
1008 1009 1010 1011
1012 1013 1014 1015
1016 1017 1018 1019
1020 1021 1022 1023
1024 1025 1026 1027
1028 1029 1030 1031
1032 1033 1034 1035
1036 1037 1038 1039
1040 1041 1042 1043
1044 1045 1046 1047
1048 1049 1050 1051
1052 1053 1054 1055
1056 1057 1058 1059
1060 1061 1062 1063
1064 1065 1066 1067
1068 1069 1070 1071
1072 1073 1074 1075
1076 1077 1078 1079
1080 1081 1082 1083
1084 1085 1086 1087
1088 1089 1090 1091
1092 1093 1094 1095
1096 1097 1098 1099
1100 1101 1102 1103
1104 1105 1106 1107
1108 1109 1110 1111
1112 1113 1114 1115
1116 1117 1118 1119
1120 1121 1122 1123
1124 1125 1126 1127
1128 1129 1130 1131
1132 1133 1134 1135
1136 1137 1138 1139
1140 1141 1142 1143
1144 1145 1146 1147
1148 1149 1150 1151
1152 1153 1154 1155
1156 1157 1158 1159
1160 1161 1162 1163
1164 1165 1166 1167
1168 1169 1170 1171
1172 1173 1174 1175
1176 1177 1178 1179
1180 1181 1182 1183
1184 1185 1186 1187
1188 1189 1190 1191
1192 1193 1194 1195
1196 1197 1198 1199
1200 1201 1202 1203
1204 1205 1206 1207
1208 1209 1210 1211
1212 1213 1214 1215
1216 1217 1218 1219
1220 1221 1222 1223
1224 1225 1226 1227
1228 1229 1230 1231
1232 1233 1234 1235
1236 1237 1238 1239
1240 1241 1242 1243
1244 1245 1246 1247
1248 1249 1250 1251
1252 1253 1254 1255
1256 1257 1258 1259
1260 1261 1262 1263
1264 1265 1266 1267
1268 1269 1270 1271
1272 1273 1274 1275
1276 1277 1278 1279
1280 1281 1282 1283
1284 1285 1286 1287
1288 1289 1290 1291
1292 1293 1294 1295
1296 1297 1298 1299
1300 1301 1302 1303
1304 1305 1306 1307
1308 1309 1310 1311
1312 1313 1314 1315
1316 1317 1318 1319
1320 1321 1322 1323
1324 1325 1326 1327
1328 1329 1330 1331
1332 1333 1334 1335
1336 1337 1338 1339
1340 1341 1342 1343
1344 1345 1346 1347
1348 1349 1350 1351
1352 1353 1354 1355
1356 1357 1358 1359
1360 1361 1362 1363
1364 1365 1366 1367
1368 1369 1370 1371
1372 1373 1374 1375
1376 1377 1378 1379
1380 1381 1382 1383
1384 1385 1386 1387
1388 1389 1390 1391
1392 1393 1394 1395
1396 1397 1398 1399
1400 1401 1402 1403
1404 1405 1406 1407
1408 1409 1410 1411
1412 1413 1414 1415
1416 1417 1418 1419
1420 1421 1422 1423
1424 1425 1426 1427
1428 1429 1430 1431
1432 1433 1434 1435
1436 1437 1438 1439
1440 1441 1442 1443
1444 1445 1446 1447
1448 1449 1450 1451
1452 1453 1454 1455
1456 1457 1458 1459
1460 1461 1462 1463
1464 1465 1466 1467
1468 1469 1470 1471
1472 1473 1474 1475
1476 1477 1478 1479
1480 1481 1482 1483
1484 1485 1486 1487
1488 1489 1490 1491
1492 1493 1494 1495
1496 1497 1498 1499
1500 1501 1502 1503
1504 1505 1506 1507
1508 1509 1510 1511
1512 1513 1514 1515
1516 1517 1518 1519
1520 1521 1522 1523
1524 1525 1526 1527
1528 1529 1530 1531
1532 1533 1534 1535
1536 1537 1538 1539
1540 1541 1542 1543
1544 1545 1546 1547
1548 1549 1550 1551
1552 1553 1554 1555
1556 1557 1558 1559
1560 1561 1562 1563
1564 1565 1566 1567
1568 1569 1570 1571
1572 1573 1574 1575
1576 1577 1578 1579
1580 1581 1582 1583
1584 1585 1586 1587
1588 1589 1590 1591
1592 1593 1594 1595
1596 1597 1598 1599
1600 1601 1602 1603
1604 1605 1606 1607
1608 1609 1610 1611
1612 1613 1614 1615
1616 1617 1618 1619
1620 1621 1622 1623
1624 1625 1626 1627
1628 1629 1630 1631
1632 1633 1634 1635
1636 1637 1638 1639
1640 1641 1642 1643
1644 1645 1646 1647
1648 1649 1650 1651
1652 1653 1654 1655
1656 1657 1658 1659
1660 1661 1662 1663
1664 1665 1666 1667
1668 1669 1670 1671
1672 1673 1674 1675
1676 1677 1678 1679
1680 1681 1682 1683
1684 1685 1686 1687
1688 1689 1690 1691
1692 1693 1694 1695
1696 1697 1698 1699
1700 1701 1702 1703
1704 1705 1706 1707
1708 1709 1710 1711
1712 1713 1714 1715
1716 1717 1718 1719
1720 1721 1722 1723
1724 1725 1726 1727
1728 1729 1730 1731
1732 1733 1734 1735
1736 1737 1738 1739
1740 1741 1742 1743
1744 1745 1746 1747
1748 1749 1750 1751
1752 1753 1754 1755
1756 1757 1758 1759
1760 1761 1762 1763
1764 1765 1766 1767
1768 1769 1770 1771
1772 1773 1774 1775
1776 1777 1778 1779
1780 1781 1782 1783
1784 1785 1786 1787
1788 1789 1790 1791
1792 1793 1794 1795
1796 1797 1798 1799
1800 1801 1802 1803
1804 1805 1806 1807
1808 1809 1810 1811
1812 1813 1814 1815
1816 1817 1818 1819
1820 1821 1



ISSUE: 1		TYPE MOD: 1		TYPE MOD:		TYPE MOD:		TYPE MOD:		TYPE MOD:		TYPE MOD:		TYPE MOD:	
ACD: 2767		ECC: 1155		ECC:		ECC:		ECC:		ECC:		ECC:		ECC:	
26/02/70 DATUM & LIMIT (00-03)										P & M No. 3/07/06410					
										WGH01***/0241					

DSG1P	RE	VG	245	
DSG1P	RH	VG	245	
GTDP	249	C3	GO	CF
CH	VG			
GTLN	249	CL	CN	CP
OR	VP			
HQ11P	242	OB	CL	VG
VP				
HQ11P	242	OD	CN	VG
VP				
HQ12P	242	CF	CP	VG
VP				
HQ13P	242	CH	CR	VG
VP				
LM804P	PRG	VP	245	
VP				
LM814P	PRG	VP	245	
VP				
RD84P	PRG	VP	183	
VP				
RD85P	PRG	VP	183	
VP				
RD86P	PRG	VP	183	
VP				
RD87P	PRG	VP	184	
VP				
RD87N	PRG	VP	184	
VP				
RLM84P	PRG	VP	245	
VP				
RLM85P	PRG	VP	245	
VP				
RLM86P	PRG	VP	245	
VP				
RLM87P	PRG	VP	245	
VP				
SAD11P	278	IB	IL	LC
VP				
SAD11P	278	ID	IN	LE
VP				
SAD12P	278	IF	IP	LG
VP				
SAD13P	278	IH	IR	LI
VP				
LS	VP	VP		



RD84P	LX
RD85P	LX
RD85P	LX
RD87P	LX
RD87N	
DBG01P	
HQ13P	
HQ12P	
SAD13P	
SAD12P	
SAD11P	
HQ11P	
RD85N	
RD85P	
RD84N	
RD84P	
GTDP	
HQ10P	
DBT01P	

6A22	5307
3	RD87N
4	DBG01P
5	
6	
7	
8	
9	
10	
11	
12	
13	
14	
15	
16	
17	
18	
19	
20	
21	
22	
23	
24	
25	
26	

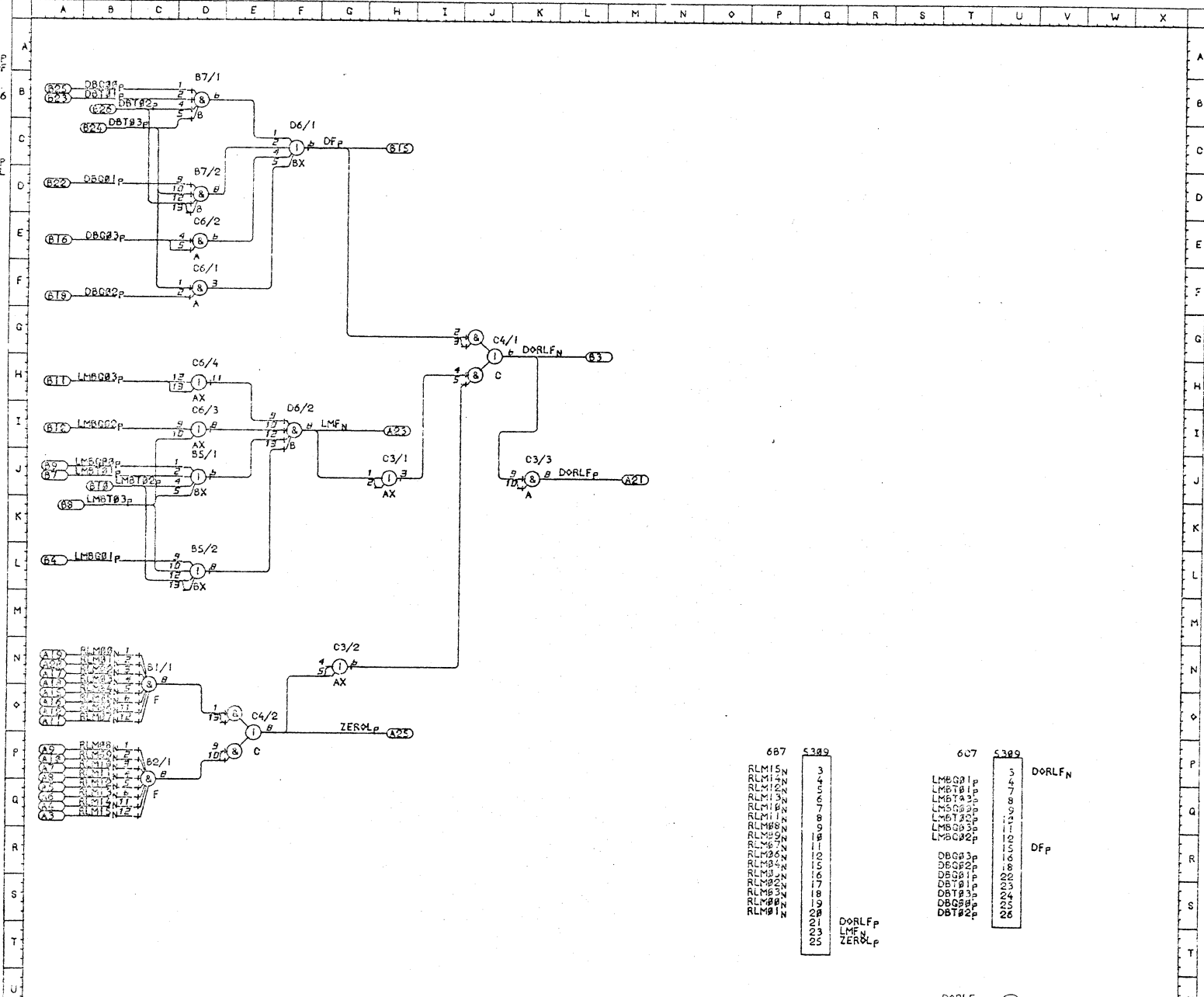
6A18	5307
3	RLM87N
4	LMBT01P
5	
6	
7	
8	
9	
10	
11	
12	
13	
14	
15	
16	
17	
18	
19	
20	
21	
22	
23	
24	
25	
26	

P & M No. 3/07/06410

26/02/70 DATUM & LIMIT (04-07) WGH01***/0242

ISSUE:1	TYPE	MOD:1	TYPE	MOD:	TYPE	MOD:	TYPE	MOD:	TYPE	MOD:	TYPE	MOD:
ACD:2767	ECC:	1155	ECC:		ECC:		ECC:		ECC:		ECC:	

D508P 241 D6 UP
 D509P 242 D6 UP
 D510P 243 D6 UP
 D511P 244 D6 UP
 D512P 245 D6 UP
 D513P 246 D6 UP
 D514P 247 D6 UP
 D515P 248 D6 UP
 D516P 249 D6 UP
 D517P 250 D6 UP
 D518P 251 D6 UP
 D519P 252 D6 UP
 D520P 253 D6 UP
 D521P 254 D6 UP
 D522P 255 D6 UP
 D523P 256 D6 UP
 D524P 257 D6 UP
 D525P 258 D6 UP
 D526P 259 D6 UP
 D527P 260 D6 UP
 D528P 261 D6 UP
 D529P 262 D6 UP
 D530P 263 D6 UP
 D531P 264 D6 UP
 D532P 265 D6 UP
 D533P 266 D6 UP
 D534P 267 D6 UP
 D535P 268 D6 UP
 D536P 269 D6 UP
 D537P 270 D6 UP
 D538P 271 D6 UP
 D539P 272 D6 UP
 D540P 273 D6 UP
 D541P 274 D6 UP
 D542P 275 D6 UP
 D543P 276 D6 UP
 D544P 277 D6 UP
 D545P 278 D6 UP
 D546P 279 D6 UP
 D547P 280 D6 UP
 D548P 281 D6 UP
 D549P 282 D6 UP
 D550P 283 D6 UP
 D551P 284 D6 UP
 D552P 285 D6 UP
 D553P 286 D6 UP
 D554P 287 D6 UP
 D555P 288 D6 UP
 D556P 289 D6 UP
 D557P 290 D6 UP
 D558P 291 D6 UP
 D559P 292 D6 UP
 D560P 293 D6 UP
 D561P 294 D6 UP
 D562P 295 D6 UP
 D563P 296 D6 UP
 D564P 297 D6 UP
 D565P 298 D6 UP
 D566P 299 D6 UP
 D567P 300 D6 UP
 D568P 301 D6 UP
 D569P 302 D6 UP
 D570P 303 D6 UP
 D571P 304 D6 UP
 D572P 305 D6 UP
 D573P 306 D6 UP
 D574P 307 D6 UP
 D575P 308 D6 UP
 D576P 309 D6 UP
 D577P 310 D6 UP
 D578P 311 D6 UP
 D579P 312 D6 UP
 D580P 313 D6 UP
 D581P 314 D6 UP
 D582P 315 D6 UP
 D583P 316 D6 UP
 D584P 317 D6 UP
 D585P 318 D6 UP
 D586P 319 D6 UP
 D587P 320 D6 UP
 D588P 321 D6 UP
 D589P 322 D6 UP
 D590P 323 D6 UP
 D591P 324 D6 UP
 D592P 325 D6 UP
 D593P 326 D6 UP
 D594P 327 D6 UP
 D595P 328 D6 UP
 D596P 329 D6 UP
 D597P 330 D6 UP
 D598P 331 D6 UP
 D599P 332 D6 UP
 D600P 333 D6 UP
 D601P 334 D6 UP
 D602P 335 D6 UP
 D603P 336 D6 UP
 D604P 337 D6 UP
 D605P 338 D6 UP
 D606P 339 D6 UP
 D607P 340 D6 UP
 D608P 341 D6 UP
 D609P 342 D6 UP
 D610P 343 D6 UP
 D611P 344 D6 UP
 D612P 345 D6 UP
 D613P 346 D6 UP
 D614P 347 D6 UP
 D615P 348 D6 UP
 D616P 349 D6 UP
 D617P 350 D6 UP
 D618P 351 D6 UP
 D619P 352 D6 UP
 D620P 353 D6 UP
 D621P 354 D6 UP
 D622P 355 D6 UP
 D623P 356 D6 UP
 D624P 357 D6 UP
 D625P 358 D6 UP
 D626P 359 D6 UP
 D627P 360 D6 UP
 D628P 361 D6 UP
 D629P 362 D6 UP
 D630P 363 D6 UP
 D631P 364 D6 UP
 D632P 365 D6 UP
 D633P 366 D6 UP
 D634P 367 D6 UP
 D635P 368 D6 UP
 D636P 369 D6 UP
 D637P 370 D6 UP
 D638P 371 D6 UP
 D639P 372 D6 UP
 D640P 373 D6 UP
 D641P 374 D6 UP
 D642P 375 D6 UP
 D643P 376 D6 UP
 D644P 377 D6 UP
 D645P 378 D6 UP
 D646P 379 D6 UP
 D647P 380 D6 UP
 D648P 381 D6 UP
 D649P 382 D6 UP
 D650P 383 D6 UP
 D651P 384 D6 UP
 D652P 385 D6 UP
 D653P 386 D6 UP
 D654P 387 D6 UP
 D655P 388 D6 UP
 D656P 389 D6 UP
 D657P 390 D6 UP
 D658P 391 D6 UP
 D659P 392 D6 UP
 D660P 393 D6 UP
 D661P 394 D6 UP
 D662P 395 D6 UP
 D663P 396 D6 UP
 D664P 397 D6 UP
 D665P 398 D6 UP
 D666P 399 D6 UP
 D667P 400 D6 UP
 D668P 401 D6 UP
 D669P 402 D6 UP
 D670P 403 D6 UP
 D671P 404 D6 UP
 D672P 405 D6 UP
 D673P 406 D6 UP
 D674P 407 D6 UP
 D675P 408 D6 UP
 D676P 409 D6 UP
 D677P 410 D6 UP
 D678P 411 D6 UP
 D679P 412 D6 UP
 D680P 413 D6 UP
 D681P 414 D6 UP
 D682P 415 D6 UP
 D683P 416 D6 UP
 D684P 417 D6 UP
 D685P 418 D6 UP
 D686P 419 D6 UP
 D687P 420 D6 UP
 D688P 421 D6 UP
 D689P 422 D6 UP
 D690P 423 D6 UP
 D691P 424 D6 UP
 D692P 425 D6 UP
 D693P 426 D6 UP
 D694P 427 D6 UP
 D695P 428 D6 UP
 D696P 429 D6 UP
 D697P 430 D6 UP
 D698P 431 D6 UP
 D699P 432 D6 UP
 D700P 433 D6 UP
 D701P 434 D6 UP
 D702P 435 D6 UP
 D703P 436 D6 UP
 D704P 437 D6 UP
 D705P 438 D6 UP
 D706P 439 D6 UP
 D707P 440 D6 UP
 D708P 441 D6 UP
 D709P 442 D6 UP
 D710P 443 D6 UP
 D711P 444 D6 UP
 D712P 445 D6 UP
 D713P 446 D6 UP
 D714P 447 D6 UP
 D715P 448 D6 UP
 D716P 449 D6 UP
 D717P 450 D6 UP
 D718P 451 D6 UP
 D719P 452 D6 UP
 D720P 453 D6 UP
 D721P 454 D6 UP
 D722P 455 D6 UP
 D723P 456 D6 UP
 D724P 457 D6 UP
 D725P 458 D6 UP
 D726P 459 D6 UP
 D727P 460 D6 UP
 D728P 461 D6 UP
 D729P 462 D6 UP
 D730P 463 D6 UP
 D731P 464 D6 UP
 D732P 465 D6 UP
 D733P 466 D6 UP
 D734P 467 D6 UP
 D735P 468 D6 UP
 D736P 469 D6 UP
 D737P 470 D6 UP
 D738P 471 D6 UP
 D739P 472 D6 UP
 D740P 473 D6 UP
 D741P 474 D6 UP
 D742P 475 D6 UP
 D743P 476 D6 UP
 D744P 477 D6 UP
 D745P 478 D6 UP
 D746P 479 D6 UP
 D747P 480 D6 UP
 D748P 481 D6 UP
 D749P 482 D6 UP
 D750P 483 D6 UP
 D751P 484 D6 UP
 D752P 485 D6 UP
 D753P 486 D6 UP
 D754P 487 D6 UP
 D755P 488 D6 UP
 D756P 489 D6 UP
 D757P 490 D6 UP
 D758P 491 D6 UP
 D759P 492 D6 UP
 D760P 493 D6 UP
 D761P 494 D6 UP
 D762P 495 D6 UP
 D763P 496 D6 UP
 D764P 497 D6 UP
 D765P 498 D6 UP
 D766P 499 D6 UP
 D767P 500 D6 UP
 D768P 501 D6 UP
 D769P 502 D6 UP
 D770P 503 D6 UP
 D771P 504 D6 UP
 D772P 505 D6 UP
 D773P 506 D6 UP
 D774P 507 D6 UP
 D775P 508 D6 UP
 D776P 509 D6 UP
 D777P 510 D6 UP
 D778P 511 D6 UP
 D779P 512 D6 UP
 D780P 513 D6 UP
 D781P 514 D6 UP
 D782P 515 D6 UP
 D783P 516 D6 UP
 D784P 517 D6 UP
 D785P 518 D6 UP
 D786P 519 D6 UP
 D787P 520 D6 UP
 D788P 521 D6 UP
 D789P 522 D6 UP
 D790P 523 D6 UP
 D791P 524 D6 UP
 D792P 525 D6 UP
 D793P 526 D6 UP
 D794P 527 D6 UP
 D795P 528 D6 UP
 D796P 529 D6 UP
 D797P 530 D6 UP
 D798P 531 D6 UP
 D799P 532 D6 UP
 D800P 533 D6 UP
 D801P 534 D6 UP
 D802P 535 D6 UP
 D803P 536 D6 UP
 D804P 537 D6 UP
 D805P 538 D6 UP
 D806P 539 D6 UP
 D807P 540 D6 UP
 D808P 541 D6 UP
 D809P 542 D6 UP
 D810P 543 D6 UP
 D811P 544 D6 UP
 D812P 545 D6 UP
 D813P 546 D6 UP
 D814P 547 D6 UP
 D815P 548 D6 UP
 D816P 549 D6 UP
 D817P 550 D6 UP
 D818P 551 D6 UP
 D819P 552 D6 UP
 D820P 553 D6 UP
 D821P 554 D6 UP
 D822P 555 D6 UP
 D823P 556 D6 UP
 D824P 557 D6 UP
 D825P 558 D6 UP
 D826P 559 D6 UP
 D827P 560 D6 UP
 D828P 561 D6 UP
 D829P 562 D6 UP
 D830P 563 D6 UP
 D831P 564 D6 UP
 D832P 565 D6 UP
 D833P 566 D6 UP
 D834P 567 D6 UP
 D835P 568 D6 UP
 D836P 569 D6 UP
 D837P 570 D6 UP
 D838P 571 D6 UP
 D839P 572 D6 UP
 D840P 573 D6 UP
 D841P 574 D6 UP
 D842P 575 D6 UP
 D843P 576 D6 UP
 D844P 577 D6 UP
 D845P 578 D6 UP
 D846P 579 D6 UP
 D847P 580 D6 UP
 D848P 581 D6 UP
 D849P 582 D6 UP
 D850P 583 D6 UP
 D851P 584 D6 UP
 D852P 585 D6 UP
 D853P 586 D6 UP
 D854P 587 D6 UP
 D855P 588 D6 UP
 D856P 589 D6 UP
 D857P 590 D6 UP
 D858P 591 D6 UP
 D859P 592 D6 UP
 D860P 593 D6 UP
 D861P 594 D6 UP
 D862P 595 D6 UP
 D863P 596 D6 UP
 D864P 597 D6 UP
 D865P 598 D6 UP
 D866P 599 D6 UP
 D867P 600 D6 UP
 D868P 601 D6 UP
 D869P 602 D6 UP
 D870P 603 D6 UP
 D871P 604 D6 UP
 D872P 605 D6 UP
 D873P 606 D6 UP
 D874P 607 D6 UP
 D875P 608 D6 UP
 D876P 609 D6 UP
 D877P 610 D6 UP
 D878P 611 D6 UP
 D879P 612 D6 UP
 D880P 613 D6 UP
 D881P 614 D6 UP
 D882P 615 D6 UP
 D883P 616 D6 UP
 D884P 617 D6 UP
 D885P 618 D6 UP
 D886P 619 D6 UP
 D887P 620 D6 UP
 D888P 621 D6 UP
 D889P 622 D6 UP
 D890P 623 D6 UP
 D891P 624 D6 UP
 D892P 625 D6 UP
 D893P 626 D6 UP
 D894P 627 D6 UP
 D895P 628 D6 UP
 D896P 629 D6 UP
 D897P 630 D6 UP
 D898P 631 D6 UP
 D899P 632 D6 UP
 D900P 633 D6 UP
 D901P 634 D6 UP
 D902P 635 D6 UP
 D903P 636 D6 UP
 D904P 637 D6 UP
 D905P 638 D6 UP
 D906P 639 D6 UP
 D907P 640 D6 UP
 D908P 641 D6 UP
 D909P 642 D6 UP
 D910P 643 D6 UP
 D911P 644 D6 UP
 D912P 645 D6 UP
 D913P 646 D6 UP
 D914P 647 D6 UP
 D915P 648 D6 UP
 D916P 649 D6 UP
 D917P 650 D6 UP
 D918P 651 D6 UP
 D919P 652 D6 UP
 D920P 653 D6 UP
 D921P 654 D6 UP
 D922P 655 D6 UP
 D923P 656 D6 UP
 D924P 657 D6 UP
 D925P 658 D6 UP
 D926P 659 D6 UP
 D927P 660 D6 UP
 D928P 661 D6 UP
 D929P 662 D6 UP
 D930P 663 D6 UP
 D931P 664 D6 UP
 D932P 665 D6 UP
 D933P 666 D6 UP
 D934P 667 D6 UP
 D935P 668 D6 UP
 D936P 669 D6 UP
 D937P 670 D6 UP
 D938P 671 D6 UP
 D939P 672 D6 UP
 D940P 673 D6 UP
 D941P 674 D6 UP
 D942P 675 D6 UP
 D943P 676 D6 UP
 D944P 677 D6 UP
 D945P 678 D6 UP
 D946P 679 D6 UP
 D947P 680 D6 UP
 D948P 681 D6 UP
 D949P 682 D6 UP
 D950P 683 D6 UP
 D951P 684 D6 UP
 D952P 685 D6 UP
 D953P 686 D6 UP
 D954P 687 D6 UP
 D955P 688 D6 UP
 D956P 689 D6 UP
 D957P 690 D6 UP
 D958P 691 D6 UP
 D959P 692 D6 UP
 D960P 693 D6 UP
 D961P 694 D6 UP
 D962P 695 D6 UP
 D963P 696 D6 UP
 D964P 697 D6 UP
 D965P 698 D6 UP
 D966P 699 D6 UP
 D967P 700 D6 UP
 D968P 701 D6 UP
 D969P 702 D6 UP
 D970P 703 D6 UP
 D971P 704 D6 UP
 D972P 705 D6 UP
 D973P 706 D6 UP
 D974P 707 D6 UP
 D975P 708 D6 UP
 D976P 709 D6 UP
 D977P 710 D6 UP
 D978P 711 D6 UP
 D979P 712 D6 UP
 D980P 713 D6 UP
 D981P 714 D6 UP
 D982P 715 D6 UP
 D983P 716 D6 UP
 D984P 717 D6 UP
 D985P 718 D6 UP
 D986P 719 D6 UP
 D987P 720 D6 UP
 D988P 721 D6 UP
 D989P 722 D6 UP
 D990P 723 D6 UP
 D991P 724 D6 UP
 D992P 725 D6 UP
 D993P 726 D6 UP
 D994P 727 D6 UP
 D995P 728 D6 UP
 D996P 729 D6 UP
 D997P 730 D6 UP
 D998P 731 D6 UP
 D999P 732 D6 UP
 D1000P 733 D6 UP

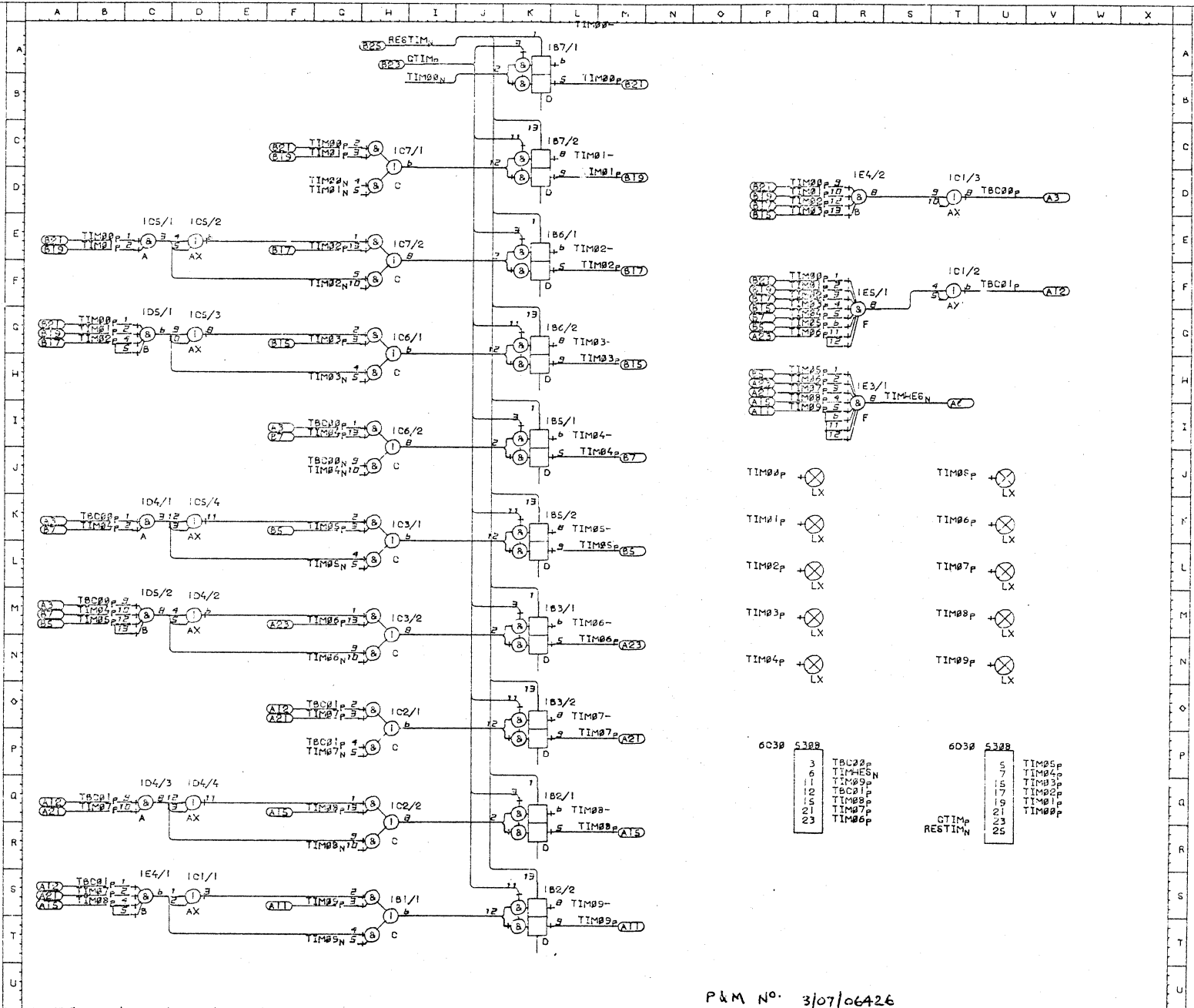


687	5389	607	5389
RLM15N	3	LMB031P	3
RLM16N	4	LMB032P	4
RLM17N	5	DBG03P	5
RLM18N	6	DBG02P	6
RLM19N	7	DBG01P	7
RLM20N	8	DBT03P	8
RLM21N	9	DBG03P	9
RLM22N	10	DBG02P	10
RLM23N	11	DBG01P	11
RLM24N	12	DBT03P	12
RLM25N	13	DBG03P	13
RLM26N	14	DBG02P	14
RLM27N	15	DBG01P	15
RLM28N	16	DBT03P	16
RLM29N	17	DBG03P	17
RLM30N	18	DBG02P	18
RLM31N	19	DBG01P	19
RLM32N	20	DBT03P	20
RLM33N	21	DBG03P	21
RLM34N	22	DBG02P	22
RLM35N	23	DBG01P	23
RLM36N	24	DBT03P	24
RLM37N	25	DBG03P	25

P & M No 3/07/06412

DORLP ⊗

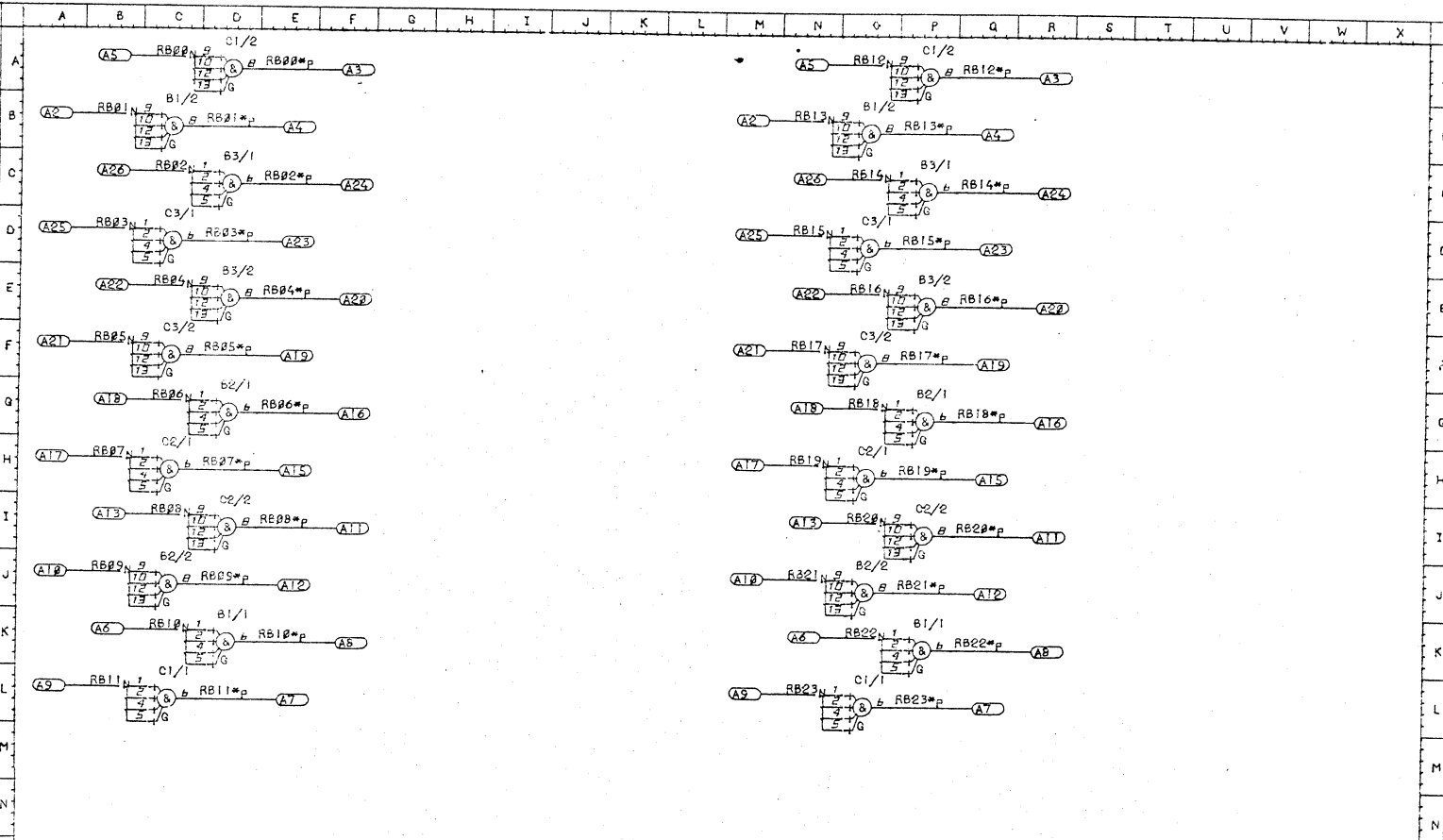
QTIMP 249 KA KC KE
 KQ KI KK KM KO
 KQ KG UP
 RE6TIM 249 KA KC KE
 KQ KI KK KM KO
 KQ KG UP
 TBC20P TD TO CK CH
 HI QP
 TBC21P TF TT CQ C6
 HQ GP S302
 TIM02P MB MB CE CQ
 HQ GJ RO RF UP
 189
 TIM01P MD MD DE CQ
 HQ GK RO RF UP
 184
 TIM02P MF MF CQ HE
 HQ RD RF UP
 182
 TIM03P MH MH HQ QH
 HQ RF UP 181
 TIM04P MJ MJ CK CH
 HI QN RF UP
 18
 TIM05P ML ML QH HK
 HQ RH UP 181
 TIM06P MN MN HQ QP
 HQ RH UP 182
 TIM07P MP MP CQ C6
 HQ QP RH UL
 182
 TIM08P MR MR CQ HQ
 HQ RH LM 182
 TIM09P MT MT HQ CQ
 HQ UN 183
 TIM06P 1: UJ
 TIM0EE, RH QP 23



P&M No. 3/07/06426

CCW: 0225 20/05/70		MILL TIMER		WGH01***/0246		DATA CCW0226	
ISSUE: 2	TYPE MOD: 01	TYPE MOD:	TYPE MOD:	TYPE MOD:	TYPE MOD:	TYPE MOD:	TYPE MOD:
ACC: 3017 (ECC4107)	ECC: 1693	ECC:	ECC:	ECC:	ECC:	ECC:	ECC:

RB02N 210 DA JP
RB02P DA JP 169
228 230 230
RB01N 210 CB JP
RB01P CB JP 169
228 230 230
RB03N 210 DC JP
RB03P DC JP 229
228 230
RB04N 210 DE JP
RB04P DE JP 161
228 230 230
RB05N 210 EF JP
RB05P EF JP 230
228 230
RB06N 210 FG JP
RB06P FG JP 231
228 230
RB07N 210 GH JP
RB07P GH JP 231
228 230
RB08N 210 IJ JP
RB08P IJ JP 232
228 230 230
RB09N 210 JK JP
RB09P JK JP 232
228 230
RB10N 210 KL JP
RB10P KL JP 233
228 230
RB11N 210 LM JP
RB11P LM JP 233
228 230
RB12N 210 NO VP
RB12P NO VP 234
228 230
RB13N 210 OP VP
RB13P OP VP 235
228 230
RB14N 210 PQ VP
RB14P PQ VP 237
228 230
RB15N 210 RS VP
RB15P RS VP 235
228 230
RB16N 210 TU VP
RB16P TU VP 236
228 230
RB17N 210 UV VP
RB17P UV VP 236
228 230
RB18N 210 VW VP
RB18P VW VP 237
228 230
RB19N 210 XY VP
RB19P XY VP 237
228 230
RB20N 212 PI VP
RB20P PI VP 238
228 230
RB21N 212 QJ VP
RB21P QJ VP 238
228 230
RB22N 212 PK VP
RB22P PK VP 239
228 230
RB23N 212 QL VP
RB23P QL VP 100
228 230 231 230



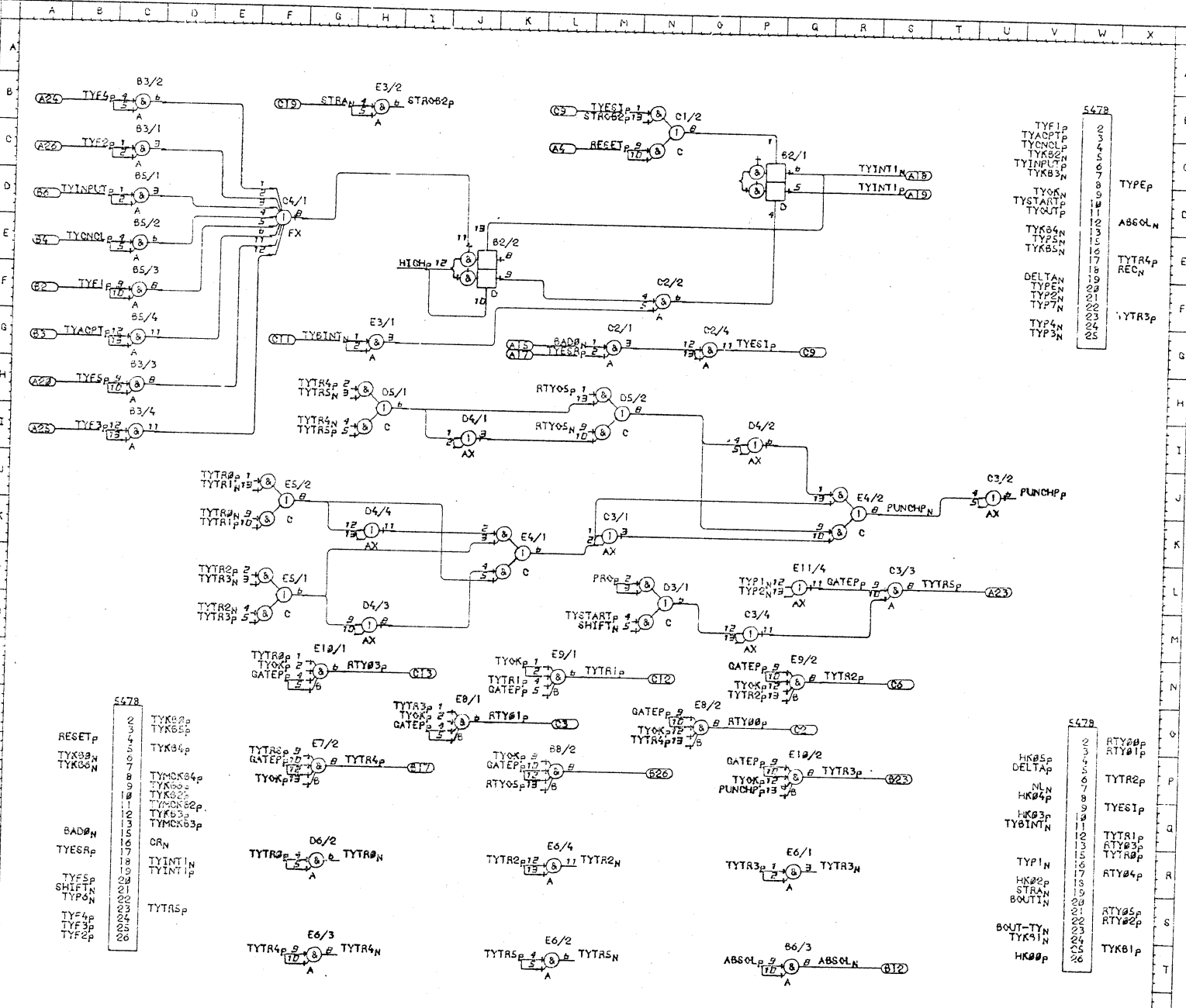
6E5	5375		
RB01N	2	RB00**p	
	3	RB01**p	
	4		
RB09N	5		
RB10N	6	RB11**p	
	7	RB10**p	
RB11N	8		
RB09N	9		
	10	RB08**p	
	11	RB09**p	
RB08N	12		
	13	RB07**p	
	14	RB06**p	
RB07N	15		
RB06N	16		
	17	RB05**p	
	18	RB04**p	
	19		
RB05N	20		
RB04N	21		
	22	RB03**p	
	23	RB02**p	
RB03N	24		
RB02N	25		
	26		

6E6	5375		
RB13N	2	RB12**p	
	3	RB13**p	
	4		
RB22N	5		
	6	RB23**p	
	7	RB22**p	
RB23N	8		
RB21N	9		
	10	RB20**p	
	11	RB21**p	
RB20N	12		
	13	RB19**p	
	14	RB18**p	
RB19N	15		
RB18N	16		
	17	RB17**p	
	18	RB16**p	
	19		
RB17N	20		
RB16N	21		
	22	RB15**p	
	23	RB14**p	
RB15N	24		
RB14N	25		
	26		

P & M No. 3/07/06647

26/02/70		B AMPLIFIERS		WGHO1***/0251	
ISSUE: 1	TYPE MOD: DO	TYPE MOD:	TYPE MOD:	TYPE MOD:	TYPE MOD:
ACC: 2767	ECC:	ECC:	ECC:	ECC:	ECC:

ABSOLN QT C54 256
 BASHN 262 MG
 RESETP 142 NB
 RTY05P C6 4814
 RTY01P C6 4814
 RTY03P C6 4814
 STRAN 165 HB
 TYACPI 256 CB
 TYBINT 256 CB
 TYCNCL 256 CE
 TYECIP C6 00 NB 173
 174 175 254
 TYES0P 250 MS
 TYF1P 250 CF
 TYF2P 250 CF
 TYF3P 256 CF
 TYF4P 256 CE
 TYF5P 256 CE
 TYINTUT 256 CD
 TYINTIN 19 254
 TYINTIP 269
 TYTR1P LN 4814
 TYTR0P QN 4814
 TYTR3P QP 4814
 TYTR5P QP 4814
 TYTR5P SL 4814



5478
 0
 1
 2
 3
 4
 5
 6
 7
 8
 9
 10
 11
 12
 13
 14
 15
 16
 17
 18
 19
 20
 21
 22
 23
 24
 25
 26

5478
 0
 1
 2
 3
 4
 5
 6
 7
 8
 9
 10
 11
 12
 13
 14
 15
 16
 17
 18
 19
 20
 21
 22
 23
 24
 25
 26

5478
 0
 1
 2
 3
 4
 5
 6
 7
 8
 9
 10
 11
 12
 13
 14
 15
 16
 17
 18
 19
 20
 21
 22
 23
 24
 25
 26

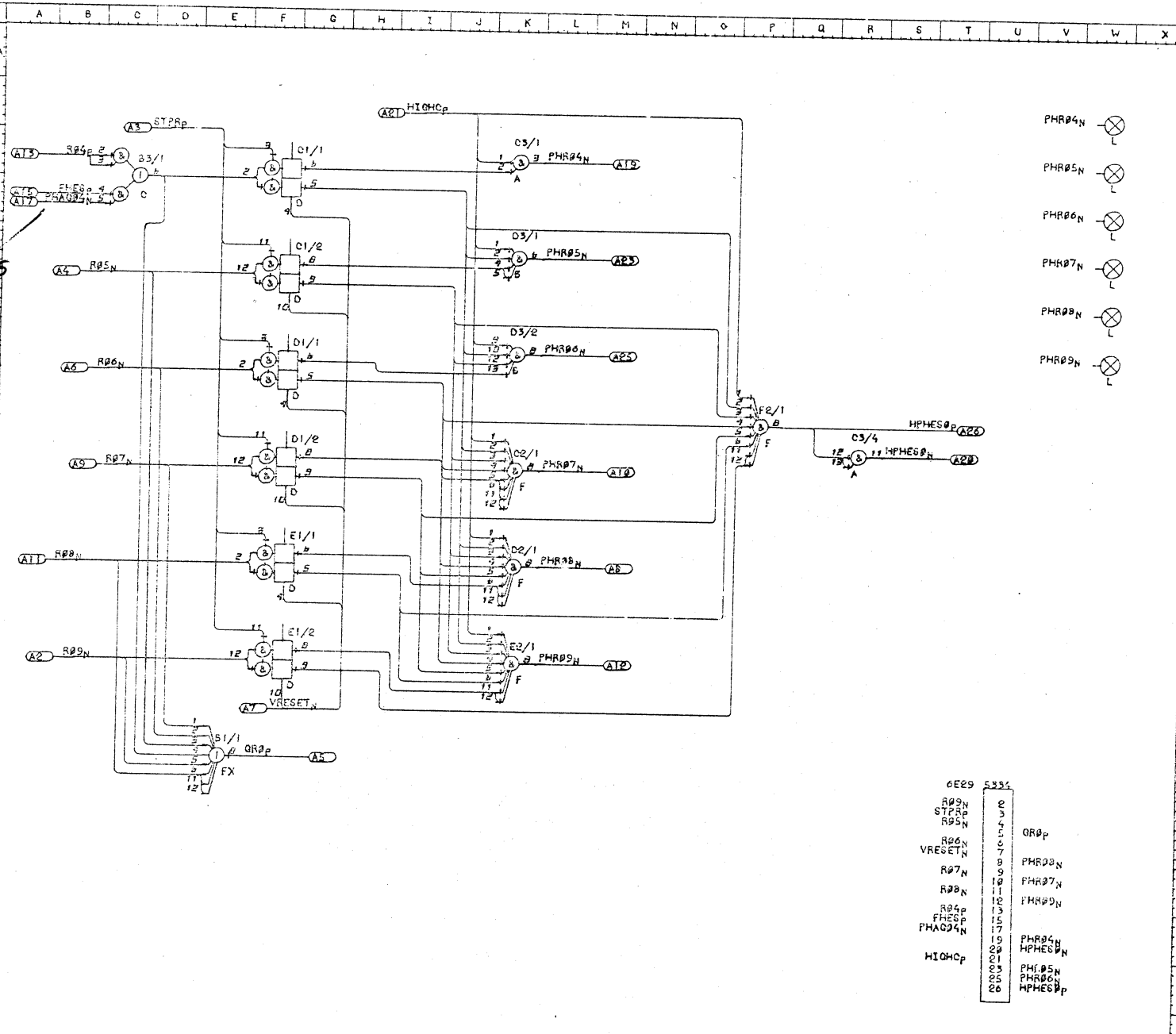
CCW: 0222 30/04/70 TYPEWRITER/LOGGING PUNCH(B)

P & M No.3/07/05146

ISSUE: 2	TYPE MOD: 02	TYPE MOD:	TYPE MOD:	TYPE MOD:	TYPE MOD:	TYPE MOD:	TYPE MOD:
ACC: 3009	ECC: 3885	ECC:	ECC:	ECC:	ECC:	ECC:	ECC:
WGHO1***/0255				DATA CCW0222			

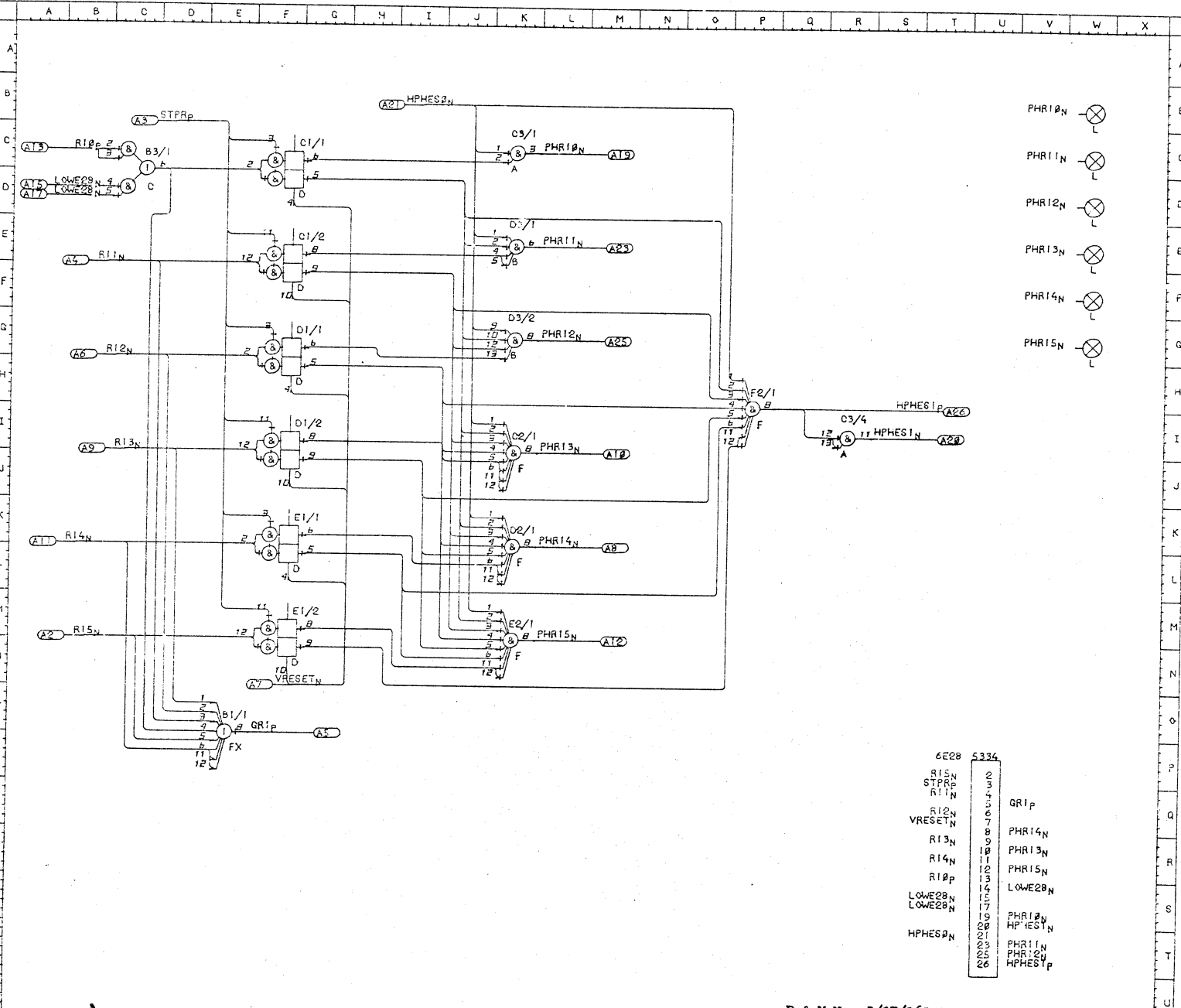
FHESp CJ OD UP
 HIGP 167 KC KE KG
 HPHE2TI UP
 HPHE3NFI 48 UP 252
 PHA034N 002 CC UP
 PHR034N KO UP WB 263
 PHR05N KE UP WO 263
 PHR06N KO UP WO 263
 PHR07N AT UP WR 263
 PHR08N KK UP WR 263
 PHR09N KM UP WO 263
 R04p 275
 R05N 276
 R06N 277
 R07N 278
 R08N 279
 R09N 280
 VRESETN 49 FC FE FG
 F1 FK FM LP
 F2 FK FM LP

Incomparable
 This
 HES.



0E29	5335	
R09N	3	
STP2p	4	
R05N	7	
R06N	8	OR0p
VRESETN	9	
R07N	10	PHR03N
R08N	11	PHR07N
R04p	12	PHR09N
FHESp	13	
PHA034N	14	
	15	PHR04N
	16	HPHE0p
	17	
	18	PHR05N
	19	PHR08N
	20	HPHE0p
	21	
	22	PHR06N
	23	
	24	PHR09N
	25	
	26	HPHE0p

GR1a EQ UP
 HPHE28 257 KC KE KG
 KI KK KM PH UP
 HPHE10 P1 UP
 HPHE01 V1 4B UP 252
 255 262
 LOWE28 NUP CC
 PHR10 NUP CC
 PHR11 NUP CC
 PHR12 NUP CC
 PHR13 NUP CC
 PHR14 NUP CC
 PHR15 NUP CC
 R10P 075 CC UP
 R11N 071 CC UP
 R12N 071 CC UP
 R13N 071 CC UP
 R14N 071 CC UP
 R15N 071 CC UP
 STPR 249 FC FG
 VRESET 149 FC FE FG
 FI FK FM UP

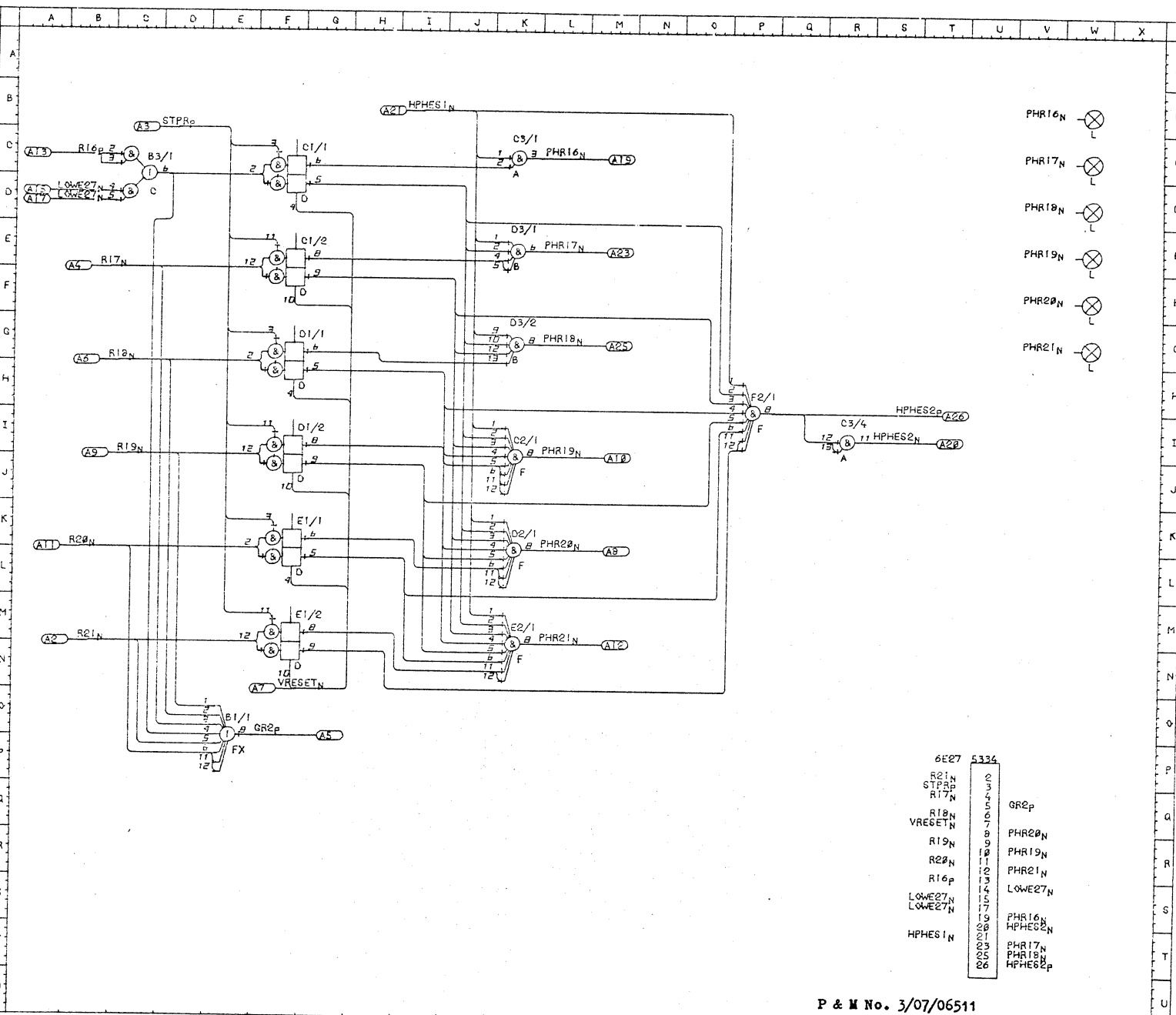


6E28	5336
R15N	2
STPRP	3
R11N	4
R12N	5
VRESETN	6
R13N	7
R14N	8
R10P	9
LOWE28N	10
LOWE28N	11
HPHE28N	12
HPHE28N	13
HPHE28N	14
HPHE28N	15
HPHE28N	16
HPHE28N	17
HPHE28N	18
HPHE28N	19
HPHE28N	20
HPHE28N	21
HPHE28N	22
HPHE28N	23
HPHE28N	24
HPHE28N	25
HPHE28N	26

26/02/70 SLOW HES PRIORITY TREE (I) P & M No. 3/07/06511 WGH01***/0258

ISSUE: I	TYPE MOD: 2	TYPE MOD:	TYPE MOD:	TYPE MOD:	TYPE MOD:	TYPE MOD:
ADD: 2767	ECC: 3553	ECC:	ECC:	ECC:	ECC:	ECC:

GR2p EO UP
 HPHE1N KI KK KM PH UP
 HPHE2N KI UP 183
 HPHE3N KI UP 252
 LOWE27N LP DO
 PHR16N KK UP WB 203
 PHR17N KK UP WD 203
 PHR18N KK UP WE 203
 PHR19N KK UP WF 203
 PHR20N KK UP WG 203
 PHR21N KK UP WH 203
 R16N 275 CC UP
 R17N 275 CC UP
 R18N 275 CC UP
 R19N 275 CC UP
 R20N 275 CC UP
 R21N 275 CC UP
 STPRp FI FK FM UP
 VRESET 49 FC FE FG
 FI FK FM UP



6E27	5334	
R21N	2	GR2p
STPRp	3	
R17N	4	
R18N	5	PHR20N
VRESETN	6	
R19N	7	PHR19N
R20N	8	PHR21N
R16p	9	LOWE27N
LOWE27N	10	
LOWE27N	11	PHR16N
HPHE1N	12	HPHE2N
	13	PHR17N
	14	PHR18N
	15	HPHE2p
	16	
	17	
	18	
	19	
	20	
	21	
	22	
	23	
	24	
	25	
	26	

P & M No. 3/07/06511

26/02/70		SLOW HES PRIORITY TREE (2)		WGH01***/0259	
ISSUE:1	TYPE MOD:2	TYPE MOD:	TYPE MOD:	TYPE MOD:	TYPE MOD:
ACC:2767	ECC:3553	ECC:	ECC:	ECC:	ECC:

PHCW2500 279
 PHCW2501 08
 PHCW2502 08
 PHCW2503 08
 PHCW2504 08
 PHCW2505 08
 PHCW2506 08
 PHCW2507 08
 PHCW2508 08
 PHCW2509 08
 PHCW2510 08
 PHCW2511 08
 PHCW2512 08
 PHCW2513 08
 PHCW2514 08
 PHCW2515 08
 PHCW2516 08
 PHCW2517 08
 PHCW2518 08
 PHCW2519 08
 PHCW2520 08
 PHCW2521 08
 PHCW2522 08
 PHCW2523 08
 PHCW2524 08
 PHCW2525 08
 PHCW2526 08
 PHCW2527 08
 PHCW2528 08
 PHCW2529 08
 PHCW2530 08
 PHCW2531 08
 PHCW2532 08
 PHCW2533 08
 PHCW2534 08
 PHCW2535 08
 PHCW2536 08
 PHCW2537 08
 PHCW2538 08
 PHCW2539 08
 PHCW2540 08
 PHCW2541 08
 PHCW2542 08
 PHCW2543 08
 PHCW2544 08
 PHCW2545 08
 PHCW2546 08
 PHCW2547 08
 PHCW2548 08
 PHCW2549 08
 PHCW2550 08
 PHCW2551 08
 PHCW2552 08
 PHCW2553 08
 PHCW2554 08
 PHCW2555 08
 PHCW2556 08
 PHCW2557 08
 PHCW2558 08
 PHCW2559 08
 PHCW2560 08
 PHCW2561 08
 PHCW2562 08
 PHCW2563 08
 PHCW2564 08
 PHCW2565 08
 PHCW2566 08
 PHCW2567 08
 PHCW2568 08
 PHCW2569 08
 PHCW2570 08
 PHCW2571 08
 PHCW2572 08
 PHCW2573 08
 PHCW2574 08
 PHCW2575 08
 PHCW2576 08
 PHCW2577 08
 PHCW2578 08
 PHCW2579 08
 PHCW2580 08
 PHCW2581 08
 PHCW2582 08
 PHCW2583 08
 PHCW2584 08
 PHCW2585 08
 PHCW2586 08
 PHCW2587 08
 PHCW2588 08
 PHCW2589 08
 PHCW2590 08
 PHCW2591 08
 PHCW2592 08
 PHCW2593 08
 PHCW2594 08
 PHCW2595 08
 PHCW2596 08
 PHCW2597 08
 PHCW2598 08
 PHCW2599 08
 PHCW2600 08

	A	B	C	D	E	F	G	H	I	J	K	L	M	N	O	P	Q	R	S	T	U	V	W	X			
A																										A	
B																											B
C																											C
D																											D
E																											E
F																											F
G																											G
H																											H
I																											I
J																											J
K																											K
L																											L
M																											M
N																											N
O																											O
P																											P
Q																											Q
R																											R
S																											S
T																											T
U																											U

6E30/1
 PHCW08A 0 (256)
 PHCW08C 11 ① PHCW08P
 PHCW08D 12 ①
 PHCW08E 13 ①
 PHCW08F 14 ①
 PHCW08G 15 ①
 PHCW08H 16 ①
 PHCW08I 17 ①
 PHCW08J 18 ①
 PHCW08K 19 ①
 PHCW08L 20 ①
 PHCW08M 21 ①
 PHCW08N 22 ①
 PHCW08O 23 ①
 PHCW08P 24 ①
 PHCW08Q 25 ①
 PHCW08R 26 ①
 PHCW08S 27 ①
 PHCW08T 28 ①
 PHCW08U 29 ①
 PHCW08V 30 ①
 PHCW08W 31 ①
 PHCW08X 32 ①
 PHCW08Y 33 ①
 PHCW08Z 34 ①

6E30/2
 PHCW09A 0 (512)
 PHCW09C 11 ① PHCW09P
 PHCW09D 12 ①
 PHCW09E 13 ①
 PHCW09F 14 ①
 PHCW09G 15 ①
 PHCW09H 16 ①
 PHCW09I 17 ①
 PHCW09J 18 ①
 PHCW09K 19 ①
 PHCW09L 20 ①
 PHCW09M 21 ①
 PHCW09N 22 ①
 PHCW09O 23 ①
 PHCW09P 24 ①
 PHCW09Q 25 ①
 PHCW09R 26 ①
 PHCW09S 27 ①
 PHCW09T 28 ①
 PHCW09U 29 ①
 PHCW09V 30 ①
 PHCW09W 31 ①
 PHCW09X 32 ①
 PHCW09Y 33 ①
 PHCW09Z 34 ①

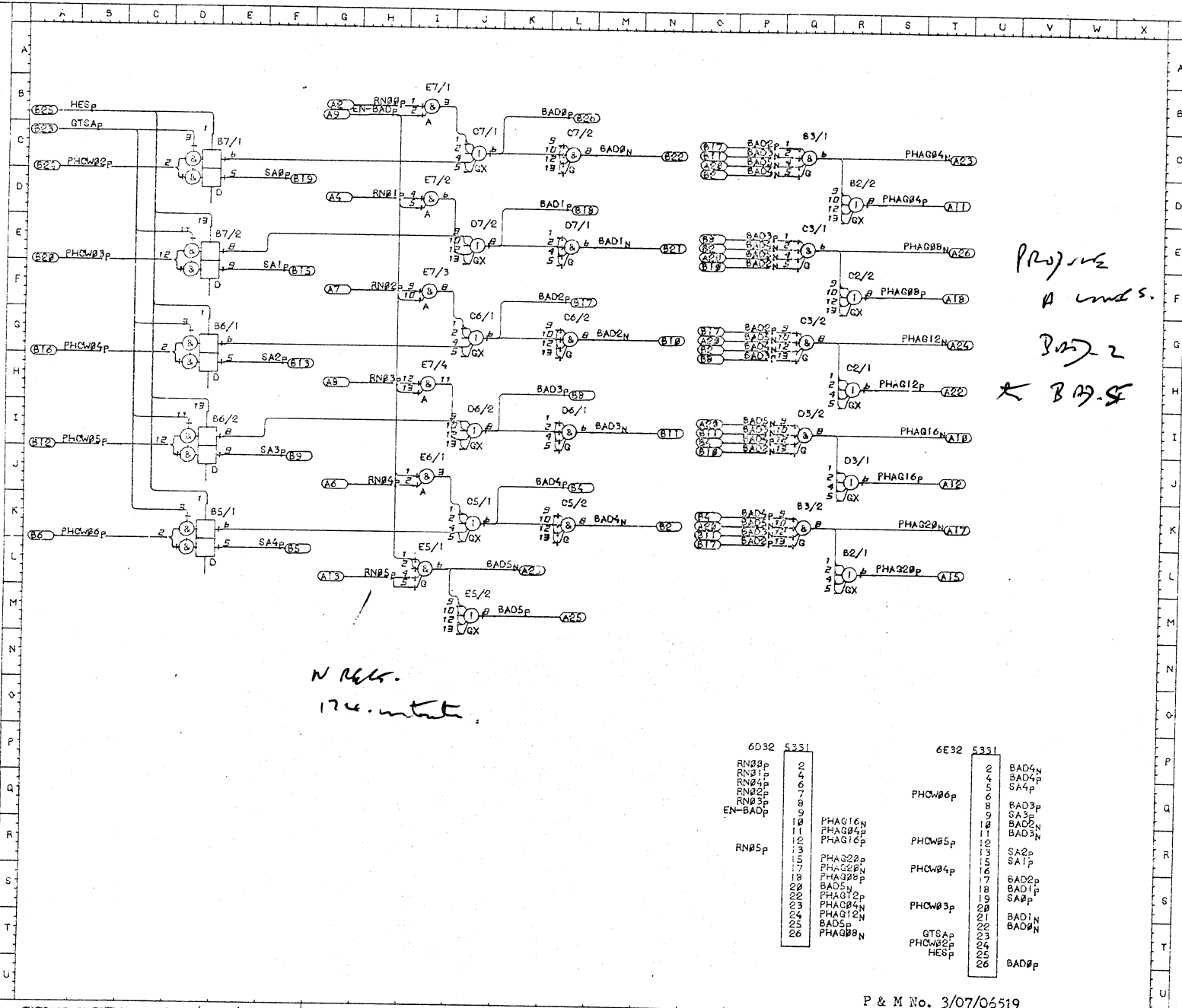
6E30/3
 PHCW10A 0 (1024)
 PHCW10C 11 ① PHCW10P
 PHCW10D 12 ①
 PHCW10E 13 ①
 PHCW10F 14 ①
 PHCW10G 15 ①
 PHCW10H 16 ①
 PHCW10I 17 ①
 PHCW10J 18 ①
 PHCW10K 19 ①
 PHCW10L 20 ①
 PHCW10M 21 ①
 PHCW10N 22 ①
 PHCW10O 23 ①
 PHCW10P 24 ①
 PHCW10Q 25 ①
 PHCW10R 26 ①
 PHCW10S 27 ①
 PHCW10T 28 ①
 PHCW10U 29 ①
 PHCW10V 30 ①
 PHCW10W 31 ①
 PHCW10X 32 ①
 PHCW10Y 33 ①
 PHCW10Z 34 ①

6E30/4
 PHCW12A 0 (2048)
 PHCW12C 11 ① PHCW12P
 PHCW12D 12 ①
 PHCW12E 13 ①
 PHCW12F 14 ①
 PHCW12G 15 ①
 PHCW12H 16 ①
 PHCW12I 17 ①
 PHCW12J 18 ①
 PHCW12K 19 ①
 PHCW12L 20 ①
 PHCW12M 21 ①
 PHCW12N 22 ①
 PHCW12O 23 ①
 PHCW12P 24 ①
 PHCW12Q 25 ①
 PHCW12R 26 ①
 PHCW12S 27 ①
 PHCW12T 28 ①
 PHCW12U 29 ①
 PHCW12V 30 ①
 PHCW12W 31 ①
 PHCW12X 32 ①
 PHCW12Y 33 ①
 PHCW12Z 34 ①

PHCW No. 3/07/0

26/02/70		B QMNIS		WGH01***/0261	
ISSUE: 1	TYPE MOD:	TYPE MOD:	TYPE MOD:	TYPE MOD:	TYPE MOD:
ACC: 2767	ECC:	ECC:	ECC:	ECC:	ECC:

BAD2p LS UP 252
 274 289
 BAD2p LC UP 252
 254 274 289
 BAD1p LD UP 252
 274 289
 BAD1p LE UP 274
 289
 BAD2p LF QC QG QK
 UP 289
 BAD2p LG QE QI UP
 252 289
 BAD3p LH QE QG QF
 289
 BAD3p LI QC QI QK
 UP 252 289
 BAD4p LJ QI QK UP
 289
 BAD4p LK QC CE QG
 UP 252 289
 BAD5p JM QP 289
 BAD5p KL KL JM QC
 QE QG QI QK QP
 252 289
 EN-BAD109 IB ID IF
 IH IJ IL IP
 GTSAp 249 AC UP
 HESAp 146 AB UP
 PHAG04RD QP 274
 PHAG04TO QP 257
 PHAG06RF QP 274
 PHAG06TE QP 274
 PHAG12RH QP 274
 PHAG12TO QP 274
 PHAG12RJ QP 274
 PHAG12TI QP 274
 PHAG22HL QP 274
 PHAG22NK QP 274
 PHCW02263 DC UP
 PHCW03263 DE UP
 PHCW04263 DG UP
 PHCW05263 DI UP
 PHCW06263 DK UP
 RN01p 200 IS QP
 RN02p 200 IO QP
 RN03p 200 IJ QP
 RN04p 200 IL QP
 RN05p 200 IM QP
 SA01p FDI UP
 SA1p FFF QP
 SA2p FFJ UP
 SA3p FL UP
 SA4p

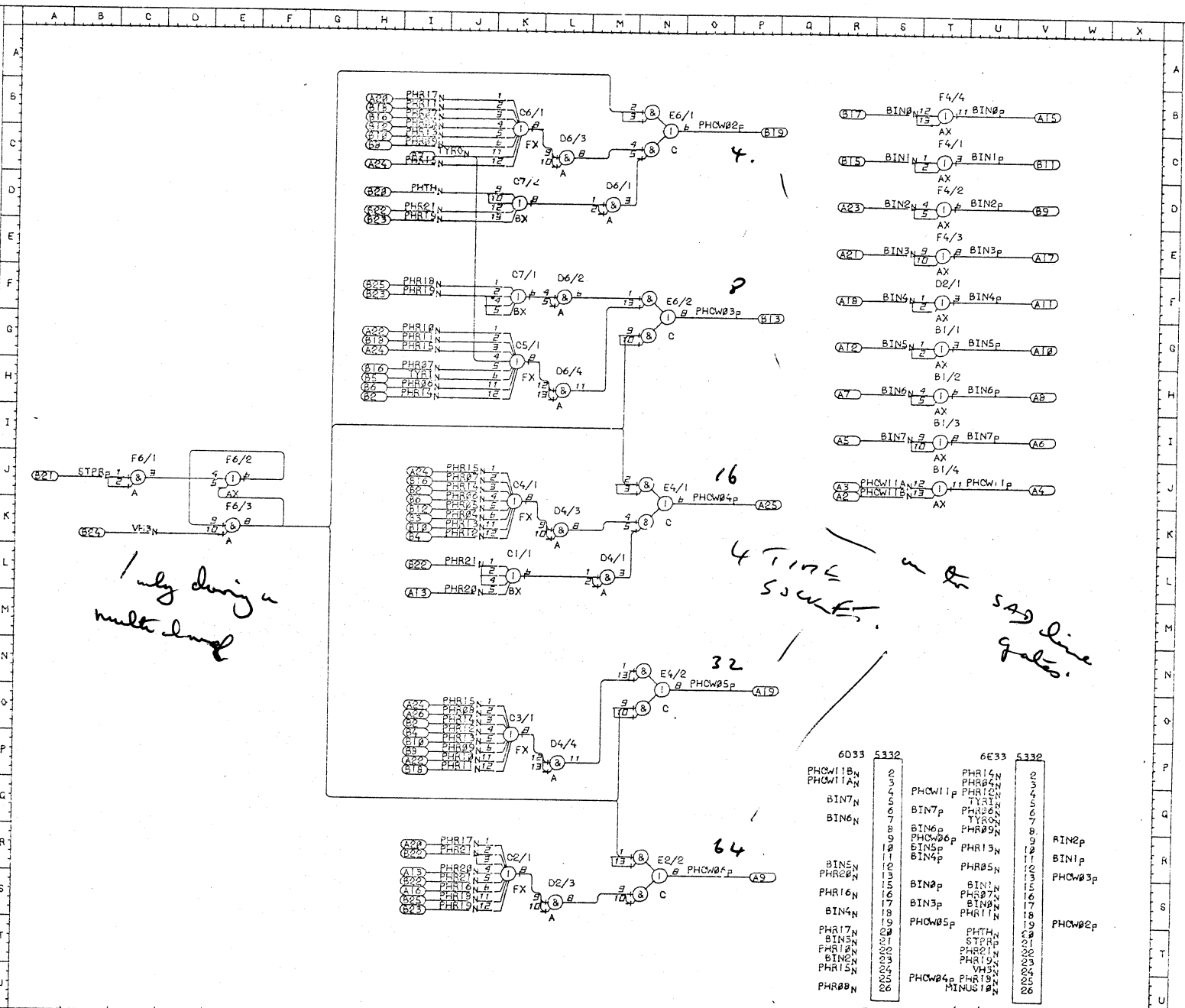


PHCW
A units.
PHCW
K BMS

N R66.
174 units.

6032	5331	6E32	5331
RN01p	2	PHCW06p	2
RN02p	4	PHCW05p	4
RN03p	6	PHCW04p	6
RN04p	7	PHCW03p	7
RN05p	8	GTSAp	8
EN-BADp	9	HESAp	9
	10	PHAG04p	10
	11	PHAG06p	11
	12	PHAG12p	12
	13	PHAG16p	13
	14	PHAG20p	14
	15	PHAG26p	15
	16	BAD0p	16
	17	BAD1p	17
	18	BAD2p	18
	19	BAD3p	19
	20	BAD4p	20
	21	BAD5p	21
	22	PHAG04N	22
	23	PHAG06N	23
	24	PHAG12N	24
	25	PHAG16N	25
	26	PHAG20N	26
	27	PHAG26N	27
	28	BAD0N	28
	29	BAD1N	29
	30	BAD2N	30
	31	BAD3N	31
	32	BAD4N	32
	33	BAD5N	33
	34	PHAG04N	34
	35	PHAG06N	35
	36	PHAG12N	36
	37	PHAG16N	37
	38	PHAG20N	38
	39	PHAG26N	39
	40	BAD0N	40
	41	BAD1N	41
	42	BAD2N	42
	43	BAD3N	43
	44	BAD4N	44
	45	BAD5N	45

BIN9p	TB	SP	194
BIN10p	TC	VP	194
BIN11p	TD	VP	194
BIN12p	TE	SP	194
BIN13p	TF	SP	194
BIN14p	TF	SP	194
BIN15p	TG	SP	194
BIN16p	TH	SP	194
BIN17p	TI	SP	194
BIN18p	TI	SP	194
MINUS1	OC1	VP	163
164			265
PHCW02p	VP	VP	262
277			
PHCW01p	VP	VP	262
277			
PHCW04p	SP	SP	262
277			
PHCW05p	SP	SP	262
277			
PHCW06p	SP	SP	262
277			
PHCW11p	SP	SP	278
PHCW11A	SP	SP	278
PHCW11B	SP	SP	278
PHR05N	KU	VP	VP
PHR06N	KB	KU	VP
PHR07N	KB	KU	VP
PHR08N	KB	KU	VP
PHR09N	KB	KU	VP
PHR10N	KU	KU	VP
PHR11N	KB	KU	VP
PHR12N	KB	KU	VP
PHR13N	KB	KU	VP
PHR14N	KB	KU	VP
PHR15N	KB	KU	VP
PHR16N	KB	KU	VP
PHR17N	KB	KU	VP
PHR18N	KB	KU	VP
PHR19N	KB	KU	VP
PHR20N	KB	KU	VP
PHR21N	KB	KU	VP
PHR22N	KB	KU	VP
PHR23N	KB	KU	VP
PHR24N	KB	KU	VP
PHR25N	KB	KU	VP
PHR26N	KB	KU	VP
PHR27N	KB	KU	VP
PHR28N	KB	KU	VP
PHR29N	KB	KU	VP
PHR30N	KB	KU	VP
PHR31N	KB	KU	VP
PHR32N	KB	KU	VP
PHR33N	KB	KU	VP
PHR34N	KB	KU	VP
PHR35N	KB	KU	VP
PHR36N	KB	KU	VP
PHR37N	KB	KU	VP
PHR38N	KB	KU	VP
PHR39N	KB	KU	VP
PHR40N	KB	KU	VP
PHR41N	KB	KU	VP
PHR42N	KB	KU	VP
PHR43N	KB	KU	VP
PHR44N	KB	KU	VP
PHR45N	KB	KU	VP
PHR46N	KB	KU	VP
PHR47N	KB	KU	VP
PHR48N	KB	KU	VP
PHR49N	KB	KU	VP
PHR50N	KB	KU	VP
PHR51N	KB	KU	VP
PHR52N	KB	KU	VP
PHR53N	KB	KU	VP
PHR54N	KB	KU	VP
PHR55N	KB	KU	VP
PHR56N	KB	KU	VP
PHR57N	KB	KU	VP
PHR58N	KB	KU	VP
PHR59N	KB	KU	VP
PHR60N	KB	KU	VP
PHR61N	KB	KU	VP
PHR62N	KB	KU	VP
PHR63N	KB	KU	VP
PHR64N	KB	KU	VP
PHR65N	KB	KU	VP
PHR66N	KB	KU	VP
PHR67N	KB	KU	VP
PHR68N	KB	KU	VP
PHR69N	KB	KU	VP
PHR70N	KB	KU	VP
PHR71N	KB	KU	VP
PHR72N	KB	KU	VP
PHR73N	KB	KU	VP
PHR74N	KB	KU	VP
PHR75N	KB	KU	VP
PHR76N	KB	KU	VP
PHR77N	KB	KU	VP
PHR78N	KB	KU	VP
PHR79N	KB	KU	VP
PHR80N	KB	KU	VP
PHR81N	KB	KU	VP
PHR82N	KB	KU	VP
PHR83N	KB	KU	VP
PHR84N	KB	KU	VP
PHR85N	KB	KU	VP
PHR86N	KB	KU	VP
PHR87N	KB	KU	VP
PHR88N	KB	KU	VP
PHR89N	KB	KU	VP
PHR90N	KB	KU	VP
PHR91N	KB	KU	VP
PHR92N	KB	KU	VP
PHR93N	KB	KU	VP
PHR94N	KB	KU	VP
PHR95N	KB	KU	VP
PHR96N	KB	KU	VP
PHR97N	KB	KU	VP
PHR98N	KB	KU	VP
PHR99N	KB	KU	VP
PHR00N	KB	KU	VP



6033	5332	6E33	5332
PHCW11B	8	PHR12N	20
PHCW11A	9	PHR13N	21
BIN7N	4	PHR14N	22
BIN6N	5	PHR15N	23
BIN5N	6	PHR16N	24
PHCW06p	7	PHR17N	25
BIN6p	8	PHR18N	26
PHCW06p	9	PHR19N	27
BIN5p	10	PHR20N	28
PHCW06p	11	PHR21N	29
BIN4p	12	PHR22N	30
BIN3p	13	PHR23N	31
BIN2p	14	PHR24N	32
BIN1p	15	PHR25N	33
PHCW03p	16	PHR26N	34
PHCW02p	17	PHR27N	35
PHCW02p	18	PHR28N	36
PHCW02p	19	PHR29N	37
PHCW02p	20	PHR30N	38
PHCW02p	21	PHR31N	39
PHCW02p	22	PHR32N	40
PHCW02p	23	PHR33N	41
PHCW02p	24	PHR34N	42
PHCW02p	25	PHR35N	43
PHCW02p	26	PHR36N	44
PHCW02p	27	PHR37N	45
PHCW02p	28	PHR38N	46
PHCW02p	29	PHR39N	47
PHCW02p	30	PHR40N	48
PHCW02p	31	PHR41N	49
PHCW02p	32	PHR42N	50
PHCW02p	33	PHR43N	51
PHCW02p	34	PHR44N	52
PHCW02p	35	PHR45N	53
PHCW02p	36	PHR46N	54
PHCW02p	37	PHR47N	55
PHCW02p	38	PHR48N	56
PHCW02p	39	PHR49N	57
PHCW02p	40	PHR50N	58
PHCW02p	41	PHR51N	59
PHCW02p	42	PHR52N	60
PHCW02p	43	PHR53N	61
PHCW02p	44	PHR54N	62
PHCW02p	45	PHR55N	63
PHCW02p	46	PHR56N	64
PHCW02p	47	PHR57N	65
PHCW02p	48	PHR58N	66
PHCW02p	49	PHR59N	67
PHCW02p	50	PHR60N	68
PHCW02p	51	PHR61N	69
PHCW02p	52	PHR62N	70
PHCW02p	53	PHR63N	71
PHCW02p	54	PHR64N	72
PHCW02p	55	PHR65N	73
PHCW02p	56	PHR66N	74
PHCW02p	57	PHR67N	75
PHCW02p	58	PHR68N	76
PHCW02p	59	PHR69N	77
PHCW02p	60	PHR70N	78
PHCW02p	61	PHR71N	79
PHCW02p	62	PHR72N	80
PHCW02p	63	PHR73N	81
PHCW02p	64	PHR74N	82
PHCW02p	65	PHR75N	83
PHCW02p	66	PHR76N	84
PHCW02p	67	PHR77N	85
PHCW02p	68	PHR78N	86
PHCW02p	69	PHR79N	87
PHCW02p	70	PHR80N	88
PHCW02p	71	PHR81N	89
PHCW02p	72	PHR82N	90
PHCW02p	73	PHR83N	91
PHCW02p	74	PHR84N	92
PHCW02p	75	PHR85N	93
PHCW02p	76	PHR86N	94
PHCW02p	77	PHR87N	95
PHCW02p	78	PHR88N	96
PHCW02p	79	PHR89N	97
PHCW02p	80	PHR90N	98
PHCW02p	81	PHR91N	99
PHCW02p	82	PHR92N	100

A B C D E F G H I J K L M N O P Q R S T U V W X

A
B
C
D
E
F
G
H
I
J
K
L
M
N
O
P
Q
R
S
T
U

A
B
C
D
E
F
G
H
I
J
K
L
M
N
O
P
Q
R
S
T
U

TO SPECIFY THE CONTROL WORD
BASE ADDRESS OF NORMAL
PERIPHERAL LINK FROM
PHOMIX (SEE PAGE 260) TO
THE RELEVANT PHOM-SIGNAL
(SEE PAGES 261/263)
E.G.

6E31/11-6E30/8 MAKES A
BASE ADDRESS OF 256
TO SPECIFY THE CONTROL WORD
BASE ADDRESS OF A MULTI-
CHANNEL PERIPHERAL LINK
FROM THE PER-(SEE PAGE 5
257-259) TO ONE OF THE
MIX-INPUTS (SEE PAGE 266)
AND ALSO TO THE RELEVANT
PHOM-INPUT
E.G.

6E23/12-6E31/17-6E30/49
MAKES SOCKET 9 MULTI-
CHANNEL WITH A BASE
ADDRESS OF 512

(2048)

~~25/09/69~~

25/09/69

BASE ADDRESS LINKS

WGH01***/0264

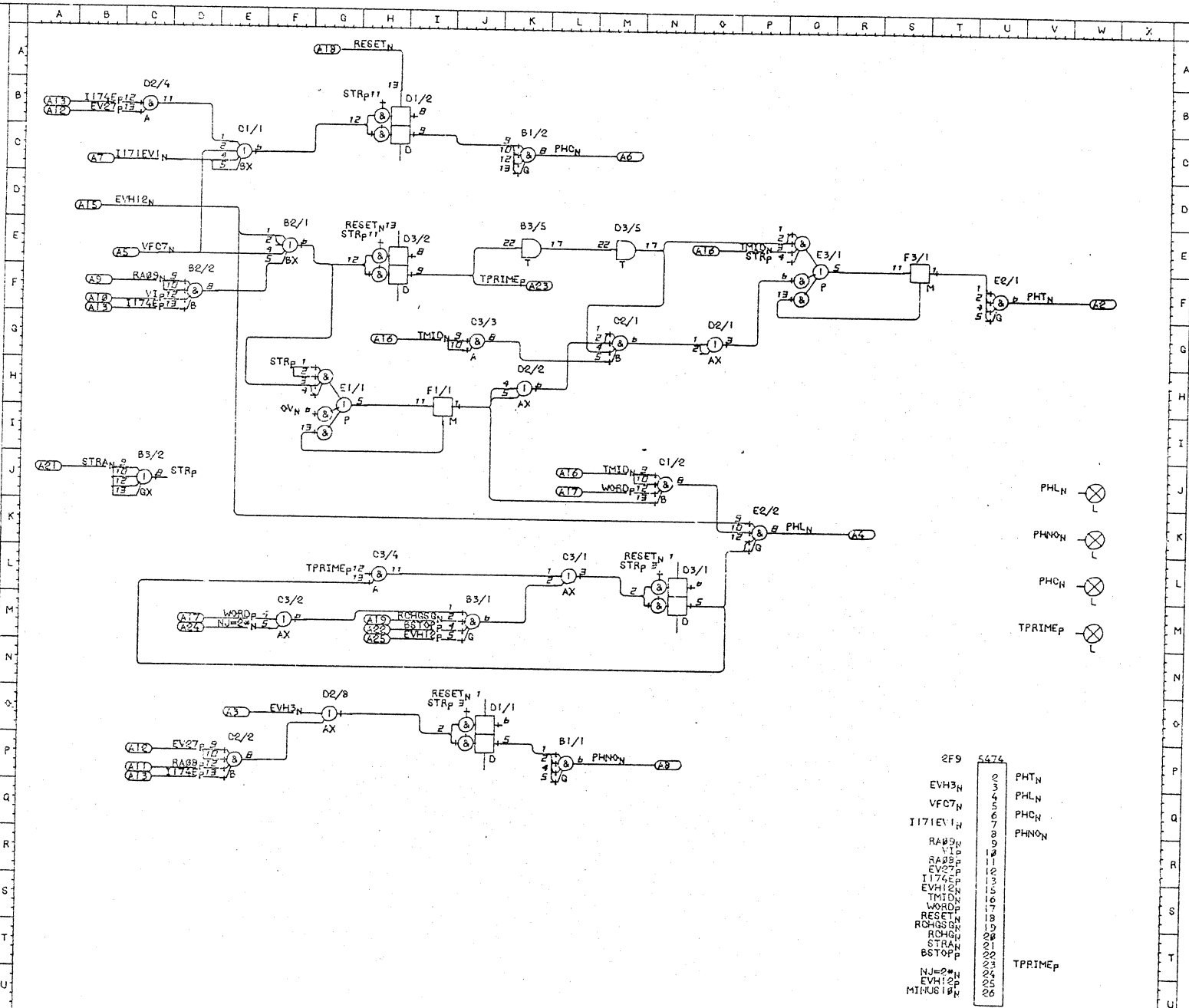
ISSUE: 155

ACD: 2259

PKG MOD:

ECG: 2566

BSTOPP 157 JM UP
 EV27P 29 CB EP UP
 EVH12P 44 JB UP
 EVH12N 44 BO UP
 EVH12N 45 BO UP
 I171EVI 45 EC UP
 I174EP 126 GB DF EP
 UP
 MINUS19 CJ UP 163
 164 263
 NJ=2#N 223 FM UP
 PHCN 271 KC UP WL 276
 PHL 271 272
 PHL 271 272
 PHN 271 272
 PHT 271 272
 RA89P 272 289
 RA89N 285 EP UP
 RCHGN 285 DF UP
 RCHGN 286 UP
 RCHGSON 17 JM UP
 RESETN 144 GA UP
 STRAN 165 CJ UP
 TM1DN 149 JB NU QE
 UP
 TPRIMEKF UP WM
 1474
 VFCTN 57 EC FE UP
 V1P 51 DF UP
 WORDP 266 FM NU UP



2F9	5474	
EVH3N	2	PHLN
EVH12N	3	PHLN
VFCTN	4	PHLN
I171EVIH	6	PHCN
	7	PHN
	8	PHN
RA89N	9	
V1P	10	
RA89P	11	
EV27P	12	
I174EP	13	
EVH12N	15	
TM1DN	16	
WORDP	17	
RESETN	18	
RCHGSON	19	
RCHGN	20	
STRAN	21	
BSTOPP	23	
NJ=2#N	24	TPRIMEP
EVH12P	25	
MINUS19N	26	

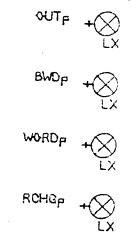
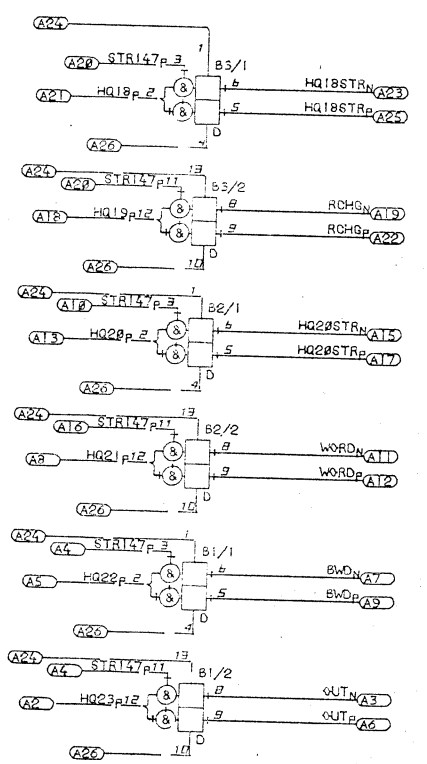
02/03/70

PERIPHERAL CONTROL LOGIC

P & M No. 3/07/05058
 WGH01***/0265

ISSUE: 1	TYPE MOD: 2	TYPE MOD:	TYPE MOD:	TYPE MOD:	TYPE MOD:	TYPE MOD:
ACD: 2767	ECC: 2644	ECC:	ECC:	ECC:	ECC:	ECC:

BWOp 141 GL DQ UP 113
 BwDn 141 SK 76 UP 113
 HQ18p 202 DC UP
 HQ18STRp 202 UP 167
 HQ19p 203 DE UP
 HQ20p 203 DG UP
 HQ20STRp 203 UP
 HQ21p 203 DI UP
 HQ22p 203 DK UP
 HQ23p 203 DM UP
 OUTp GN 17 42 59
 71 DP UP 142
 88 SM 17 45 48
 98 UP 107
 102
 RCHGp SF DG UP 106
 RCHGp GE 12 17 43
 UP 115 265
 STR147p 165 DC DE DQ
 D15 DK DM UP
 WORDp GJ 17 42 44
 OR UP 113 140
 141 265
 WORDN GI 76 UP 104
 141 162



30 Pin	5327	
2	HQ23p	OUTN
3	STR147p	OUTp
4	HQ22p	BwDn
5		BwOp
6		WORDp
7	HQ21p	WORDN
8	STR147p	WORDp
9		HQ20STRp
10		HQ20STRp
11	HQ20p	RCHGp
12	STR147p	HQ18STRp
13		HQ18STRp
14	HQ19p	RCHGp
15	STR147p	HQ18STRp
16		HQ18STRp
17	HQ18p	
18		
19		
20		
21		
22		
23		
24		
25		

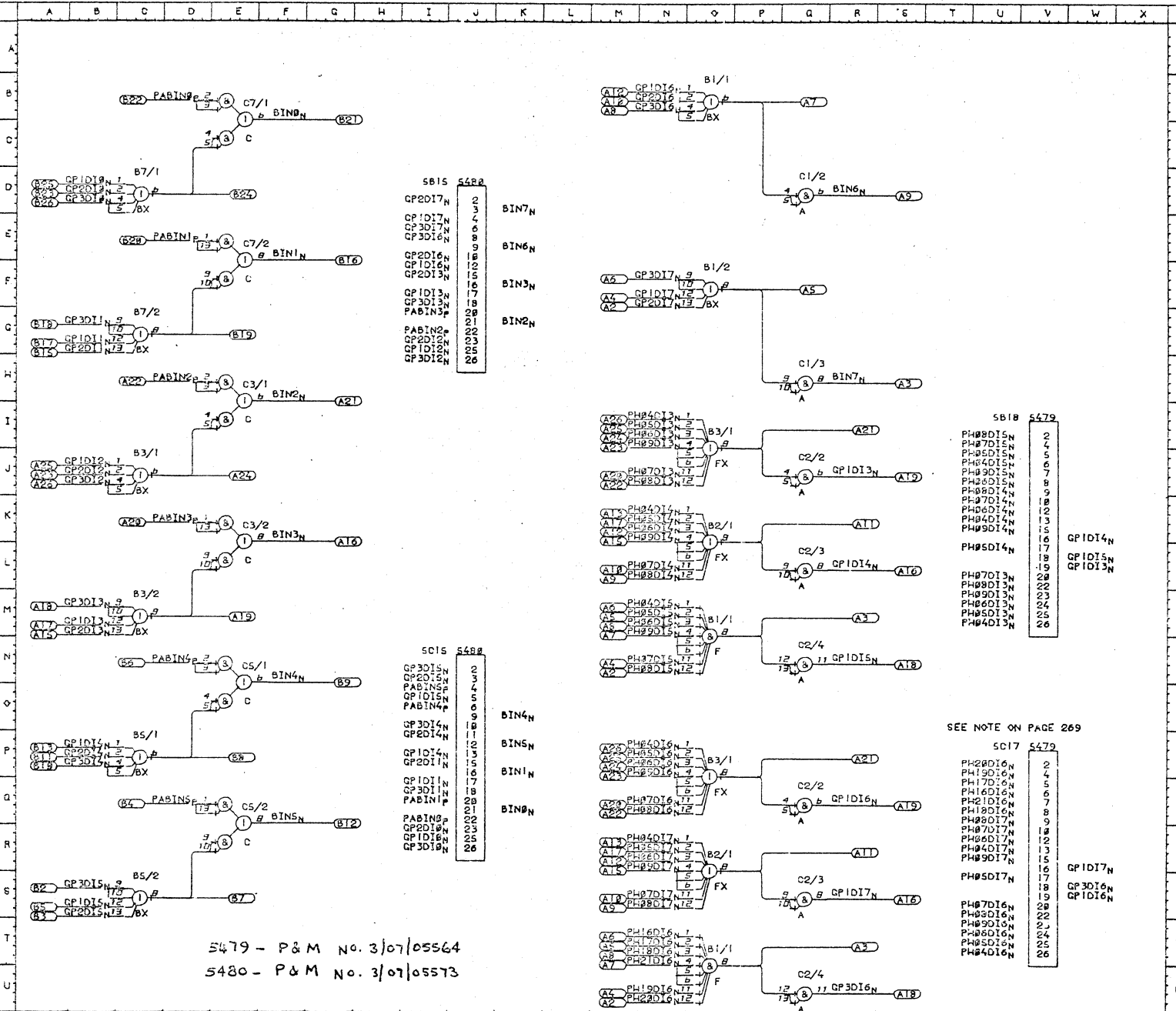
03/03/70 REGISTER S

P & M No. 3/07/06434

WGH01***/0266

ISSUE: 1	TYPE MOD: 1	TYPE MOD:	TYPE MOD:	TYPE MOD:	TYPE MOD:	TYPE MOD:
ACD: 2767	ECC: 1157	ECC:	ECC:	ECC:	ECC:	ECC:

BIN₈ EB JN 263
 BIN₁ EE JN 263
 BIN₂ EH JD 263
 BIN₃ EY JD 263
 BIN₄ EN JN 263
 BIN₅ FJ JN 263
 BIN₆ GD JD 263
 BIN₇ QH JD 263
 CPID₁ ND JN 268
 CPID₂ ND JN 268
 CPID₃ ND JN 268
 CPID₄ ND JN 268
 CPID₅ ND JN 268
 CPID₆ ND JN 268
 CPID₇ ND JN 268
 CPID₈ ND JN 268
 CPID₉ ND JN 268
 CPID₁₀ ND JN 268
 CPID₁₁ ND JN 268
 CPID₁₂ ND JN 268
 CPID₁₃ ND JN 268
 CPID₁₄ ND JN 268
 CPID₁₅ ND JN 268
 CPID₁₆ ND JN 268
 CPID₁₇ ND JN 268
 CPID₁₈ ND JN 268
 CPID₁₉ ND JN 268
 CPID₂₀ ND JN 268
 CPID₂₁ ND JN 268
 CPID₂₂ ND JN 268
 CPID₂₃ ND JN 268
 CPID₂₄ ND JN 268
 CPID₂₅ ND JN 268
 CPID₂₆ ND JN 268
 CPID₂₇ ND JN 268
 CPID₂₈ ND JN 268
 CPID₂₉ ND JN 268
 CPID₃₀ ND JN 268
 CPID₃₁ ND JN 268
 CPID₃₂ ND JN 268
 CPID₃₃ ND JN 268
 CPID₃₄ ND JN 268
 CPID₃₅ ND JN 268
 CPID₃₆ ND JN 268
 CPID₃₇ ND JN 268
 CPID₃₈ ND JN 268
 CPID₃₉ ND JN 268
 CPID₄₀ ND JN 268
 CPID₄₁ ND JN 268
 CPID₄₂ ND JN 268
 CPID₄₃ ND JN 268
 CPID₄₄ ND JN 268
 CPID₄₅ ND JN 268
 CPID₄₆ ND JN 268
 CPID₄₇ ND JN 268
 CPID₄₈ ND JN 268
 CPID₄₉ ND JN 268
 CPID₅₀ ND JN 268
 PH₄₀ ND JN 268
 PH₄₁ ND JN 268
 PH₄₂ ND JN 268
 PH₄₃ ND JN 268
 PH₄₄ ND JN 268
 PH₄₅ ND JN 268
 PH₄₆ ND JN 268
 PH₄₇ ND JN 268
 PH₄₈ ND JN 268
 PH₄₉ ND JN 268
 PH₅₀ ND JN 268
 PH₅₁ ND JN 268
 PH₅₂ ND JN 268
 PH₅₃ ND JN 268
 PH₅₄ ND JN 268
 PH₅₅ ND JN 268
 PH₅₆ ND JN 268
 PH₅₇ ND JN 268
 PH₅₈ ND JN 268
 PH₅₉ ND JN 268
 PH₆₀ ND JN 268
 PH₆₁ ND JN 268
 PH₆₂ ND JN 268
 PH₆₃ ND JN 268
 PH₆₄ ND JN 268
 PH₆₅ ND JN 268
 PH₆₆ ND JN 268
 PH₆₇ ND JN 268
 PH₆₈ ND JN 268
 PH₆₉ ND JN 268
 PH₇₀ ND JN 268
 PH₇₁ ND JN 268
 PH₇₂ ND JN 268
 PH₇₃ ND JN 268
 PH₇₄ ND JN 268
 PH₇₅ ND JN 268
 PH₇₆ ND JN 268
 PH₇₇ ND JN 268
 PH₇₈ ND JN 268
 PH₇₉ ND JN 268
 PH₈₀ ND JN 268
 PH₈₁ ND JN 268
 PH₈₂ ND JN 268
 PH₈₃ ND JN 268
 PH₈₄ ND JN 268
 PH₈₅ ND JN 268
 PH₈₆ ND JN 268
 PH₈₇ ND JN 268
 PH₈₈ ND JN 268
 PH₈₉ ND JN 268
 PH₉₀ ND JN 268
 PH₉₁ ND JN 268
 PH₉₂ ND JN 268
 PH₉₃ ND JN 268
 PH₉₄ ND JN 268
 PH₉₅ ND JN 268
 PH₉₆ ND JN 268
 PH₉₇ ND JN 268
 PH₉₈ ND JN 268
 PH₉₉ ND JN 268
 PH₁₀₀ ND JN 268



SB15 5480

GP2017N	2
GP1017N	3
GP3017N	4
GP3016N	5
GP2016N	6
GP1016N	7
GP2015N	8
GP1015N	9
GP2014N	10
GP1014N	11
GP2013N	12
GP1013N	13
GP2012N	14
GP1012N	15
GP2011N	16
GP1011N	17
PABIN2P	18
GP2012N	19
GP1012N	20
GP2011N	21
GP1011N	22
GP2010N	23
GP1010N	24
GP2009N	25
GP1009N	26

SC15 5488

GP3014N	2
GP2014N	3
PABIN4P	4
GP1014N	5
GP2013N	6
GP1013N	7
GP2012N	8
GP1012N	9
GP2011N	10
GP1011N	11
GP2010N	12
GP1010N	13
GP2009N	14
GP1009N	15
GP2008N	16
GP1008N	17
GP2007N	18
GP1007N	19
GP2006N	20
GP1006N	21
GP2005N	22
GP1005N	23
GP2004N	24
GP1004N	25
GP2003N	26
GP1003N	27

SB18 5479

PH8015N	2
PH7015N	3
PH6015N	4
PH5015N	5
PH4015N	6
PH3015N	7
PH2015N	8
PH1015N	9
PH0015N	10
PH9014N	11
PH8014N	12
PH7014N	13
PH6014N	14
PH5014N	15
PH4014N	16
PH3014N	17
PH2014N	18
PH1014N	19
PH0014N	20
PH9013N	21
PH8013N	22
PH7013N	23
PH6013N	24
PH5013N	25
PH4013N	26

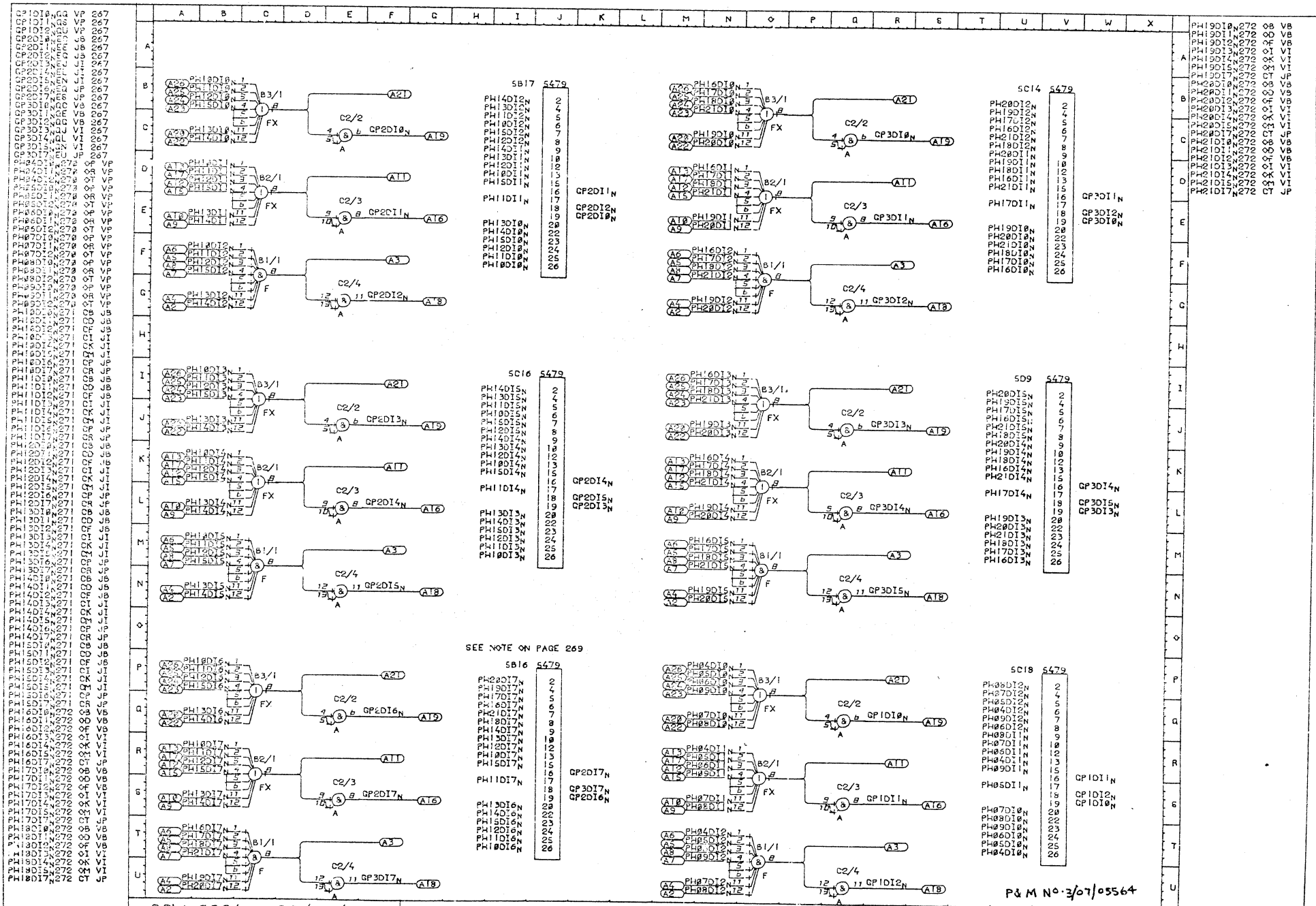
SC17 5479

PH2016N	2
PH1016N	3
PH0016N	4
PH9015N	5
PH8015N	6
PH7015N	7
PH6015N	8
PH5015N	9
PH4015N	10
PH3015N	11
PH2015N	12
PH1015N	13
PH0015N	14
PH9014N	15
PH8014N	16
PH7014N	17
PH6014N	18
PH5014N	19
PH4014N	20
PH3014N	21
PH2014N	22
PH1014N	23
PH0014N	24
PH9013N	25
PH8013N	26

5479 - P&M No. 3/07/05564
 5480 - P&M No. 3/07/05573

CCW:0224 20/05/70 PERIPHERAL GATING 4-9, BIN0-T07- WGH01***/0267 DATA CFW0226

IS&UE: 2	TYPE MOD: 5479-00	TYPE MOD: 5480-00	TYPE MOD:	TYPE MOD:	TYPE MOD:	TYPE MOD:
ACC: 3017 (ECC4107)	ECC:	ECC:	ECC:	ECC:	ECC:	ECC:



CCW:0224

20/05/70

PERIPHERAL GATING 10-21

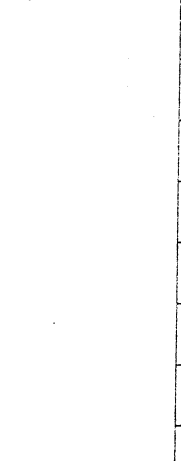
WG401***/0268

DATA CCW#226

ISSUE: 1	TYPE MOD: 00	TYPE MOD: 00	TYPE MOD: 00	TYPE MOD: 00	TYPE MOD: 00	TYPE MOD: 00	TYPE MOD: 00
ADD: 3017 (ECC4107)	ECC:	ECC:	ECC:	ECC:	ECC:	ECC:	ECC:

P & M No. 3/07/05564

BIN6N	267	MS	CP
BIN6N	267	MD	CP
BIN6N	267	MF	CP
BIN6N	267	MJ	CP
BIN6N	267	ML	CP
BIN6N	267	UP	CP
BIN7N	267	US	CP
BIN7N	267	UD	CP
CWR022P	277	CP	
CWR023P	277	CP	
CWR024P	277	CP	
CWR025P	277	CP	
CWR026P	277	CP	
CWR027P	277	CP	
CWR028P	277	CP	
CWR029P	277	CP	
CWR030P	277	CP	
CWR031P	277	CP	
CWR032P	277	CP	
CWR033P	277	CP	
CWR034P	277	CP	
CWR035P	277	CP	
CWR036P	277	CP	
CWR037P	277	CP	
CWR038P	277	CP	
CWR039P	277	CP	
CWR040P	277	CP	
CWR041P	277	CP	
CWR042P	277	CP	
CWR043P	277	CP	
CWR044P	277	CP	
CWR045P	277	CP	
CWR046P	277	CP	
CWR047P	277	CP	
CWR048P	277	CP	
CWR049P	277	CP	
CWR050P	277	CP	
CWR051P	277	CP	
CWR052P	277	CP	
CWR053P	277	CP	
CWR054P	277	CP	
CWR055P	277	CP	
CWR056P	277	CP	
CWR057P	277	CP	
CWR058P	277	CP	
CWR059P	277	CP	
CWR060P	277	CP	
CWR061P	277	CP	
CWR062P	277	CP	
CWR063P	277	CP	
CWR064P	277	CP	
CWR065P	277	CP	
CWR066P	277	CP	
CWR067P	277	CP	
CWR068P	277	CP	
CWR069P	277	CP	
CWR070P	277	CP	
CWR071P	277	CP	
CWR072P	277	CP	
CWR073P	277	CP	
CWR074P	277	CP	
CWR075P	277	CP	
CWR076P	277	CP	
CWR077P	277	CP	
CWR078P	277	CP	
CWR079P	277	CP	
CWR080P	277	CP	
CWR081P	277	CP	
CWR082P	277	CP	
CWR083P	277	CP	
CWR084P	277	CP	
CWR085P	277	CP	
CWR086P	277	CP	
CWR087P	277	CP	
CWR088P	277	CP	
CWR089P	277	CP	
CWR090P	277	CP	
CWR091P	277	CP	
CWR092P	277	CP	
CWR093P	277	CP	
CWR094P	277	CP	
CWR095P	277	CP	
CWR096P	277	CP	
CWR097P	277	CP	
CWR098P	277	CP	
CWR099P	277	CP	
CWR100P	277	CP	



SA4	5392
VH3N	2
STRAN	3
HIGH2-7P	4
HIGH2-7P	5
HIGH2-7P	6
V25N	7
I116N	8
HIGH2-7P	9
ENHNEIH	10
HIGH2-7P	11
HIGH2-7P	12
HIGH2-7P	13

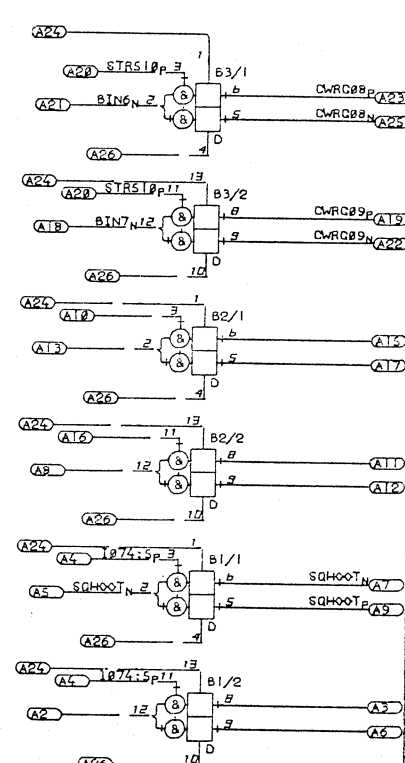
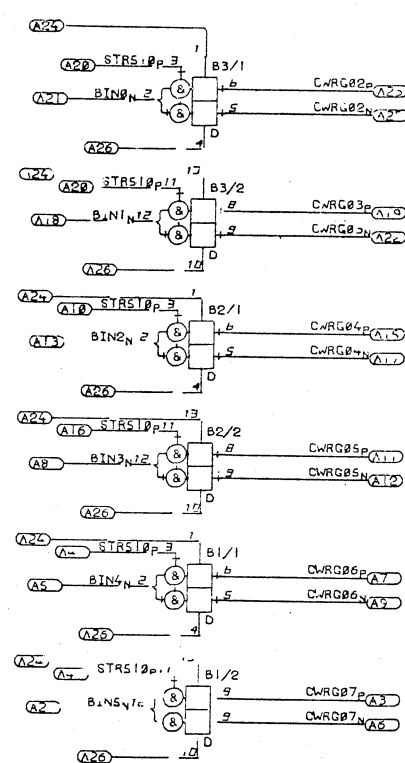
ON INSTALLATIONS WITHOUT MULTIPLEX DEVICES 5479 PACKAGES IN 5B16 AND 5C17 (PAGES 268 AND 267) AND 5327 PACKAGES IN 5A3 MAY BE REMOVED

ON INSTALLATIONS WITH MULTIPLEX DEVICES WITH LESS THAN 64 STATIONS, 5B16 AND 5C17 ARE REPLACED BY TYPE 610S POSITIVE LEVEL BOARDS

ON INSTALLATIONS WITH MULTIPLEX DEVICES WITH MORE THAN 64 STATIONS, BIN6 AND BIN7 WILL BE LINKED UP WITH SPECIAL WIRING

SA3	5327
BIN6N	2
STR510P	3
BIN4N	4
CWR022P	5
CWR023P	6
CWR024P	7
CWR025P	8
CWR026P	9
CWR027P	10
CWR028P	11
CWR029P	12
CWR030P	13
CWR031P	14
CWR032P	15
CWR033P	16
CWR034P	17
CWR035P	18
CWR036P	19
CWR037P	20
CWR038P	21
CWR039P	22
CWR040P	23
CWR041P	24
CWR042P	25

SA2	5327
I074:5P	4
SQH00T	5
BIN7N	9
STR510P	18
BIN6N	19
CWR022P	20
CWR023P	21
CWR024P	22
CWR025P	23
CWR026P	24
CWR027P	25

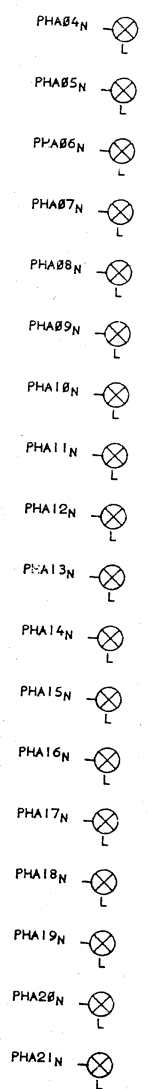
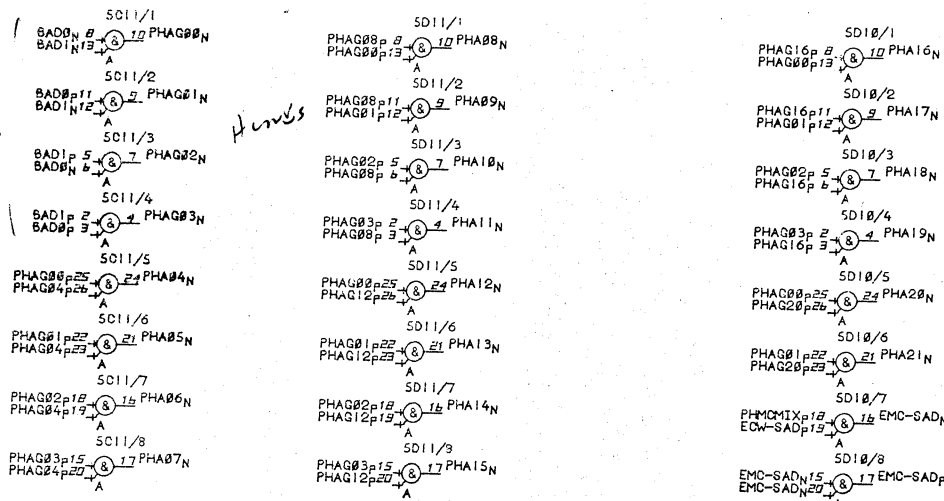
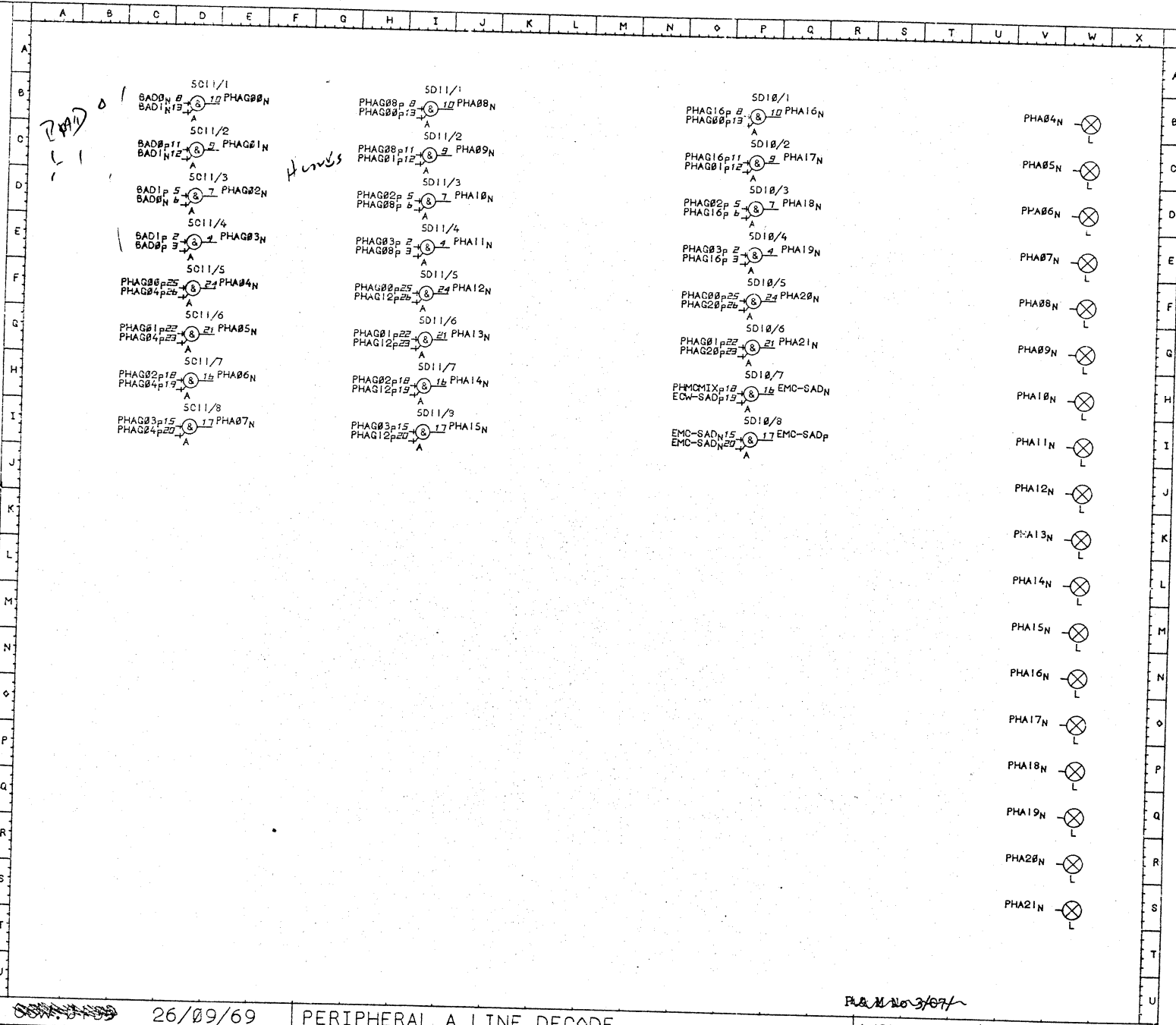


5327 - P & M No. 3/07/06434

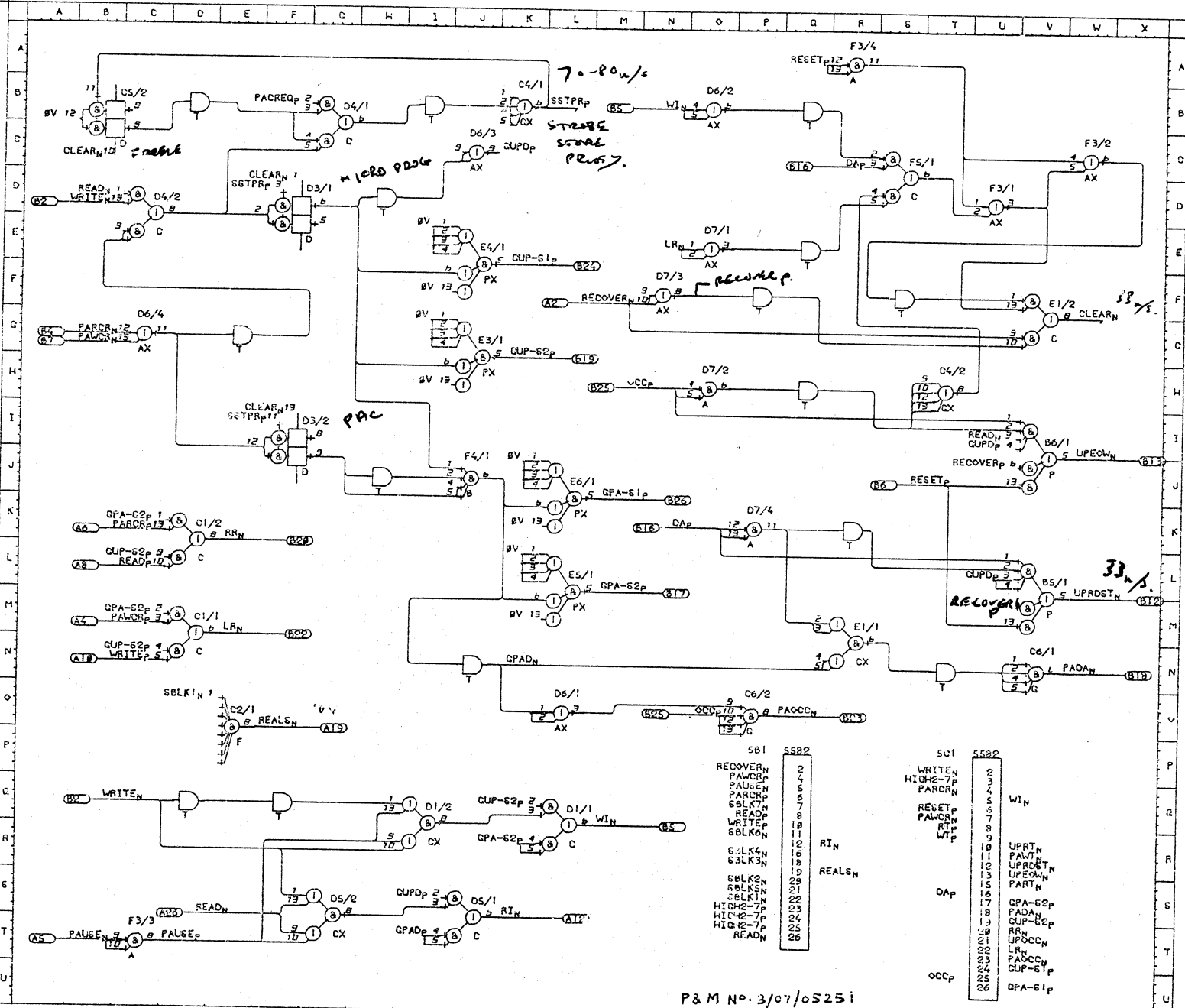
5392 - P & M No. 3/07/06673

CCW:0225 20/05/70		CONTROL ADDRESS REGISTER		WGH01***/0269		DATA CCW0226
166UE: 2	TYPE MOD: 01 (5327)	TYPE MOD: 00 (5392)	TYPE MOD:	TYPE MOD:	TYPE MOD:	TYPE MOD:
ACC: 3017 (ECC4107)	ECC: 1157	ECC:	ECC:	ECC:	ECC:	ECC:

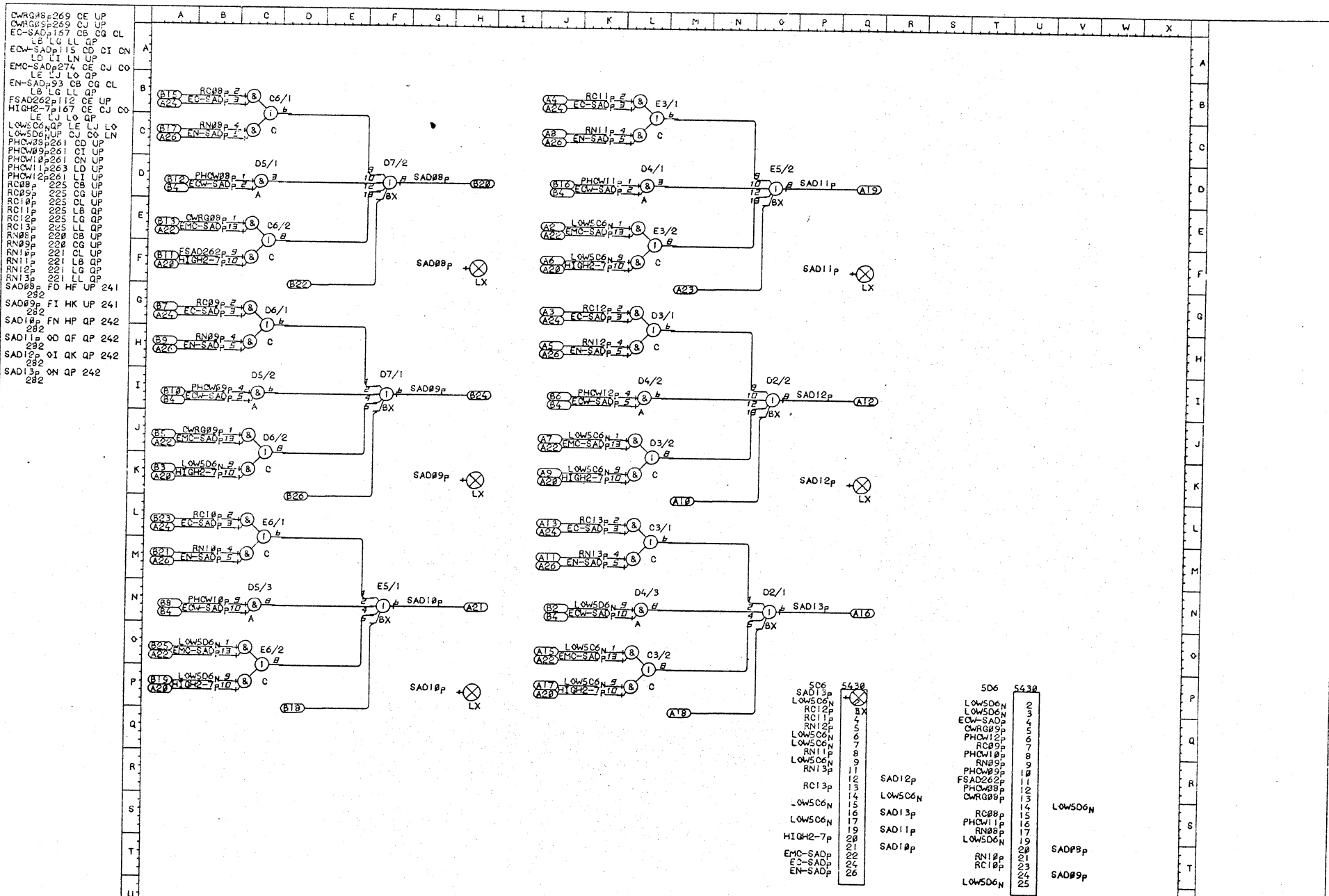
BAD0P 262 DC DE
 253 269 DB DD
 BAD0N 253 254 289
 BAD1P 252 DD DE
 253 289 DB DD
 BAD1N 262 DB DC
 289
 ECW-SADP 115 PH 115
 277 278
 EMC-SADP 271 277 278
 EMC-SADP PH FI
 PHA04N DF WB 278
 PHA05N DG WC 278
 PHA06N DH WD 278
 PHA07N DI WE 278
 PHA08N IB WF 278
 PHA09N IC WG 278
 PHA10N ID WH 271
 PHA11N IE WI 271
 PHA12N IF WJ 271
 PHA13N IQ WK 271
 PHA14N IH WL 271
 PHA15N II WM 271
 PHA16N PJ VN 272
 PHA17N PC WO 272
 PHA18N PD WP 272
 PHA19N PE WQ 272
 PHA20N PF WR 272
 PHA21N PG WS 272
 PHAG00P 275 DF 16 IF
 FB PF
 PHAG00N DE 275
 PHAG01P 275 DG 1C IG
 PC PG
 PHAG01N DC 275
 PHAG02P 273 DH 1D IH
 PD
 PHAG02N DD 273
 PHAG03P 273 DI 1E II
 PE
 PHAG03N DE 273
 PHAG04P 262 DF 1G IH
 DI
 PHAG04N 262 IB 1C ID
 IE
 PHAG05P 262 IF 1G IH
 IF
 PHAG05N 262 PB 1C PD
 PE
 PHAG06P 262 PF 1G
 PHMCMIXP 260 45 59 P
 260



DAP-51 LJ UP 289
 GPA-52 LL UP 214
 287 283 5567
 5581 5592 5583
 5584 5585 5586
 GUP-61 JE UP 214
 289 282
 GUP-62 JG UP 161
 184 281 283
 5587 5581 5582
 5583 5584 5585
 5586
 HIGH-7 P UP 161
 LFN 184 UP 161
 285 5587 5582
 5583 5584 5585
 5586
 OCCP 286 H4 PO UP
 PADAN VN UP 294
 PACCN PO UP 294
 PARCRP 294 DK OP
 PARCRN 294 CC UP
 PARTN UP
 PAUSEH 143 CT GP
 PAUWRP 294 DM OP
 PAUWRN 294 CC UP
 P-UPN UP
 RECOVH 161 DK GP
 RECOVH 161 DT GP
 RECOVH 161 LP GP
 RECOVER 164 LF OP
 RESETP 143 SJ UP
 RIN 16 OP 284
 RRN 285
 DK UP 284
 285
 RTP 286 UP
 SBLKIN 283 GP
 SBLKSN 282 GP
 SBLKSN 282 GP
 SBLKSN 282 GP
 SBLKSN 282 GP
 SBLKSN 282 GP
 SBLKSN 281 GP
 UPEOWN VI UP 143
 UPEOWN 161
 UPDOWN UP
 UPDOWN VL UP 161
 UPRTN UP
 WIN LG 5581 08
 UP 161 DM GP
 WRITEH 161 3Q CD UP
 WTP 286 UP



561	5582	561	5582
RECOVERN	2	WRITEH	2
PAUWRP	3	PAUWRN	3
PAUSEH	4	HIGH2-7P	4
PARCRP	5	PARCRN	5
PARCRN	6	RESETP	6
SBLK7N	7	PAUWRP	7
SBLK7N	8	RTP	8
READP	9	WTP	9
WRITEP	10	UPRTN	10
SBLK6N	11	PAUWRN	11
SBLK4N	12	UPDOWN	12
SBLK3N	13	UPDOWN	13
SBLK2N	14	UPDOWN	14
SBLKSN	15	PARTN	15
SBLKIN	16	GPA-62P	16
HIGH2-7P	17	PADAN	17
HIGH2-7P	18	GUP-62P	18
HIGH2-7P	19	GUP-63P	19
HIGH2-7P	20	RRN	20
READN	21	UPEOWN	21
	22	LRN	22
	23	PACCN	23
	24	GUP-61P	24
	25	GUP-61P	25
	26	GPA-61P	26



CWRG8p-269 CE UP
 CWRG8p-269 CJ UP
 EC-SADp167 CB CG CL
 EC-SADp115 CD CI CN
 LO LI LN UP
 EMC-SADp274 CE CJ CO
 LE LJ LQ QP
 EN-SADp93 CB CG CL
 LB LG LL QP
 FSAD262p112 CE UP
 HIGH2-7p167 CE CJ CO
 LE LJ LQ QP
 LOW506N QP LE LJ LQ QP
 LOW506N UP CJ CO LN
 PHCW8p261 OD QP
 PHCW8p261 OI UP
 PHCW11p263 LD UP
 PHCW12p261 LI UP
 RC8p 225 CB UP
 RC8p 225 CG UP
 RC10p 225 CL UP
 RC11p 225 LB QP
 RC12p 225 LG QP
 RC13p 225 LL QP
 RN8p 220 CB UP
 RN8p 220 CG UP
 RN11p 221 CL UP
 RN11p 221 LB QP
 RN12p 221 LD QP
 RN13p 221 LL QP
 SAD8p 241
 SAD8p 241
 SAD10p FN HP QP 242
 SAD11p QO QF QP 242
 SAD12p QI QK QP 242
 SAD13p QN QP 242

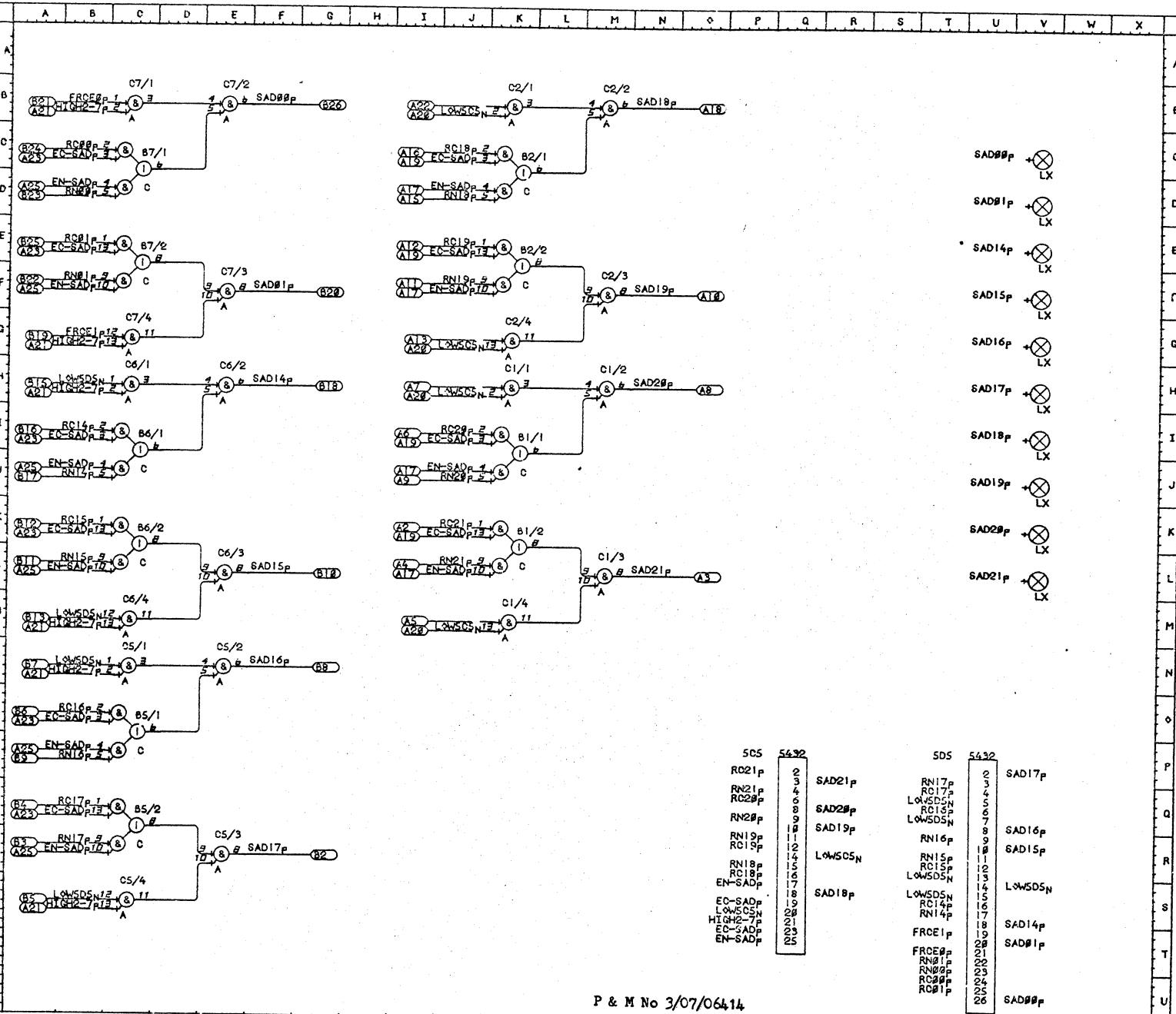
SAD8p 241
 SAD10p FN HP QP 242
 SAD11p QO QF QP 242
 SAD12p QI QK QP 242
 SAD13p QN QP 242

SAD8p 241
 SAD10p FN HP QP 242
 SAD11p QO QF QP 242
 SAD12p QI QK QP 242
 SAD13p QN QP 242

P & M No. 3/07/06409

26/02/70		SAD HIGHWAY (08-13)		WGHO1***/0278	
ISSUE: 1	TYPE MOD: 00	TYPE MOD:	TYPE MOD:	TYPE MOD:	TYPE MOD:
ACC: 2.767	ECC:	ECC:	ECC:	ECC:	ECC:

EC-SADp 167 67 92 CC
 CE 01 CK 00 00
 KC RE KI KK QP
 167 277 278
 EN-SADp 95 63 95 93
 CC CE CI CK 00
 00 KC KE KI KK
 QP 277 278
 FRCE#p 115 CB UP
 FRCE1p 115 CG UP
 HIGH2-p 167 CB CQ
 CH CN CS QP
 166 269 276 277
 278
 LOWSDSN QP KB KG KH
 KM UP
 LOWSDS UP CH CM CN
 CS UP
 RC#p 225 CC UP
 RC#1p 225 CE UP
 RC#1p 225 CI UP
 RC15p 225 CK UP
 RC16p 225 CO UP
 RC17p 225 CQ UP
 RC18p 225 KC QP
 RC19p 225 KE QP
 RC20p 225 KI QP
 RC21p 225 KK QP
 RN#p 223 22 CC UP
 178 220 224
 232
 RN#1p 228 CE UP
 178 220 224 262
 RN14p 221 CI UP
 RN15p 221 CK UP
 RN16p 221 CO UP
 RN17p 221 CQ UP
 RN18p 221 KC QP
 RN19p 221 KE QP
 RN20p 221 KI QP
 RN21p 221 KK QP
 SAD#p EB UP VC 291
 SAD#1p EF UP VD 291
 SAD14p EH UP VE 243
 292
 SAD15p EL UP VF 243
 293
 SAD16p EN UP VG 243
 293
 SAD17p ER UP VH 243
 293
 SAD18p MB QP VI 244
 SAD19p MF QP VJ 244
 SAD20p PH QP VK 244
 SAD21p PL QP VL 244



SDS	5432	SDS	5432
RC21p	2	RN17p	2
RC21p	3	RC17p	3
RC20p	4	LOWSDSN	4
RN20p	5	RC15p	5
RN20p	6	LOWSDSN	6
RN19p	7	RN16p	7
RC19p	8	RN15p	8
RN18p	9	RC15p	9
RC18p	10	LOWSDSN	10
EN-SADp	11	LOWSDSN	11
EC-SADp	12	RC14p	12
LOWSDSN	13	RN14p	13
HIGH2-p	14	LOWSDSN	14
EC-SADp	15	FRCE1p	15
EN-SADp	16	FRCE#p	16
EN-SADp	17	RN#1p	17
EN-SADp	18	RN#p	18
EN-SADp	19	RC#p	19
EN-SADp	20	RC#1p	20
EN-SADp	21	RC#1p	21
EN-SADp	22	RC#1p	22
EN-SADp	23	RC#1p	23
EN-SADp	24	RC#1p	24
EN-SADp	25	RC#1p	25
EN-SADp	26	RC#1p	26

P & M No 3/07/06414

ISSUE: 155
ACD: 2239

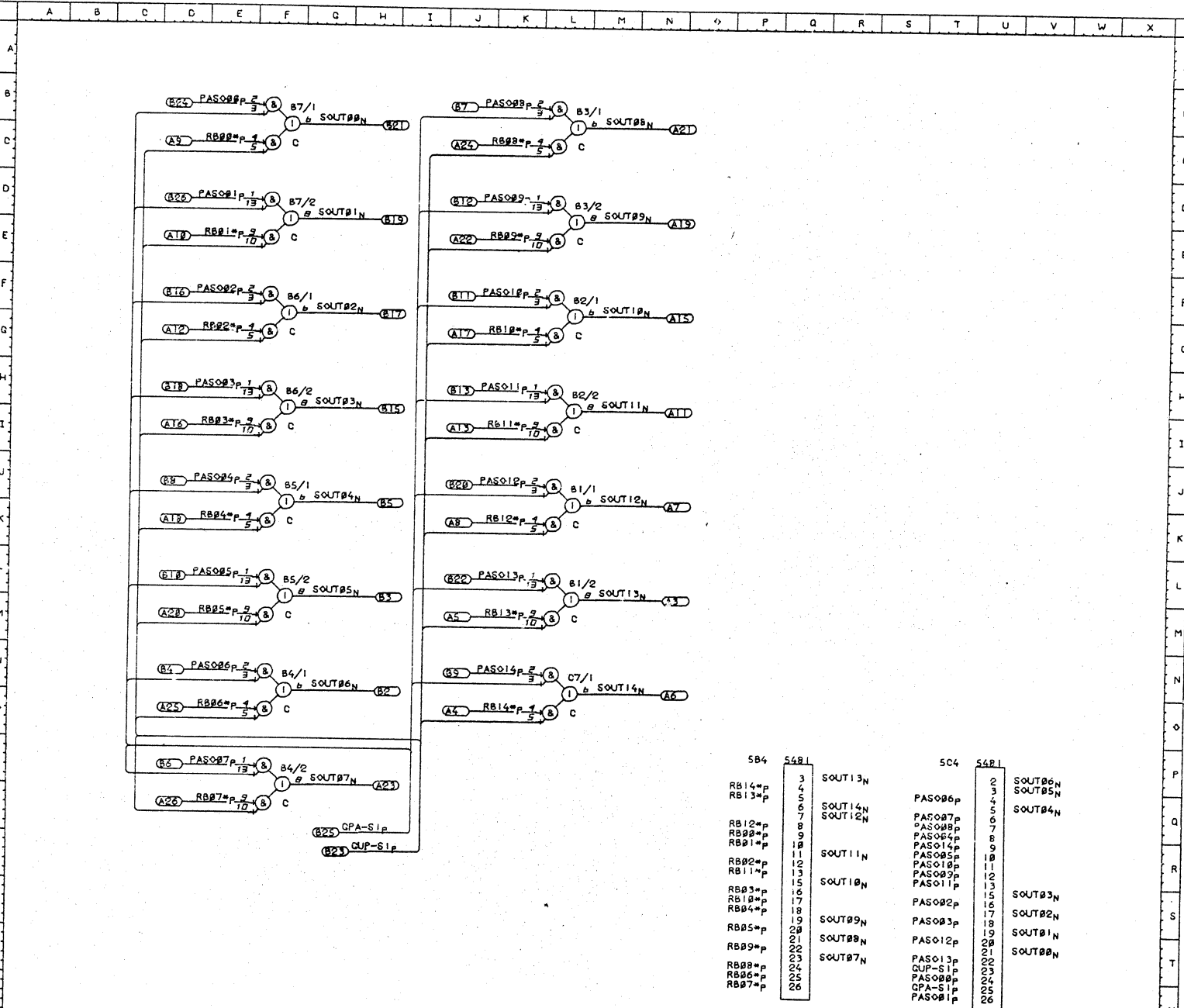
26/09/69

SAD HIGHWAY (00,01,14-21)

WGH01***/0279

PKG MOD: 00
ECC: 2532

GPA-S1P276 FB FD FF
 FH FU FL FN FP
 LB LD LF LH LJ
 LL LN LP
 GUP-S1P276 FB FD FF
 FH FU FL FN FP
 LB LD LF LH LJ
 LL LN LP
 PAS000P288 FB UP
 PAS001P288 FO UP
 PAS002P288 FF UP
 PAS003P288 FH UP
 PAS004P288 FJ UP
 PAS005P288 FL UP
 PAS006P288 FN UP
 PAS007P288 FP UP
 PAS008P288 LB UP
 PAS009P288 LO UP
 PAS010P288 LF UP
 PAS011P288 LH UP
 PAS012P288 LL UP
 PAS013P288 LJ UP
 PAS014P288 LN UP
 RB00P 251 FB QP
 RB01P 251 FO QP
 RB02P 251 FF QP
 RB03P 251 FH QP
 RB04P 251 FJ QP
 RB05P 251 FL QP
 RB06P 251 FN QP
 RB07P 251 FP QP
 RB08P 251 LB QP
 RB09P 251 LO QP
 RB10P 251 LF QP
 RB11P 251 LH QP
 RB12P 251 LJ QP
 RB13P 251 LL QP
 RB14P 251 LN QP
 SOUT00P FB UP 287
 SOUT01P FO UP 287
 SOUT02P FF UP 287
 SOUT03P FH UP 287
 SOUT04P FJ UP 287
 SOUT05P FL UP 287
 SOUT06P FN UP 287
 SOUT07P FP UP 287
 SOUT08P LB UP 287
 SOUT09P LO UP 287
 SOUT10P LF UP 287
 SOUT11P LH UP 287
 SOUT12P LL UP 287
 SOUT13P LJ UP 287
 SOUT14P LN UP 287

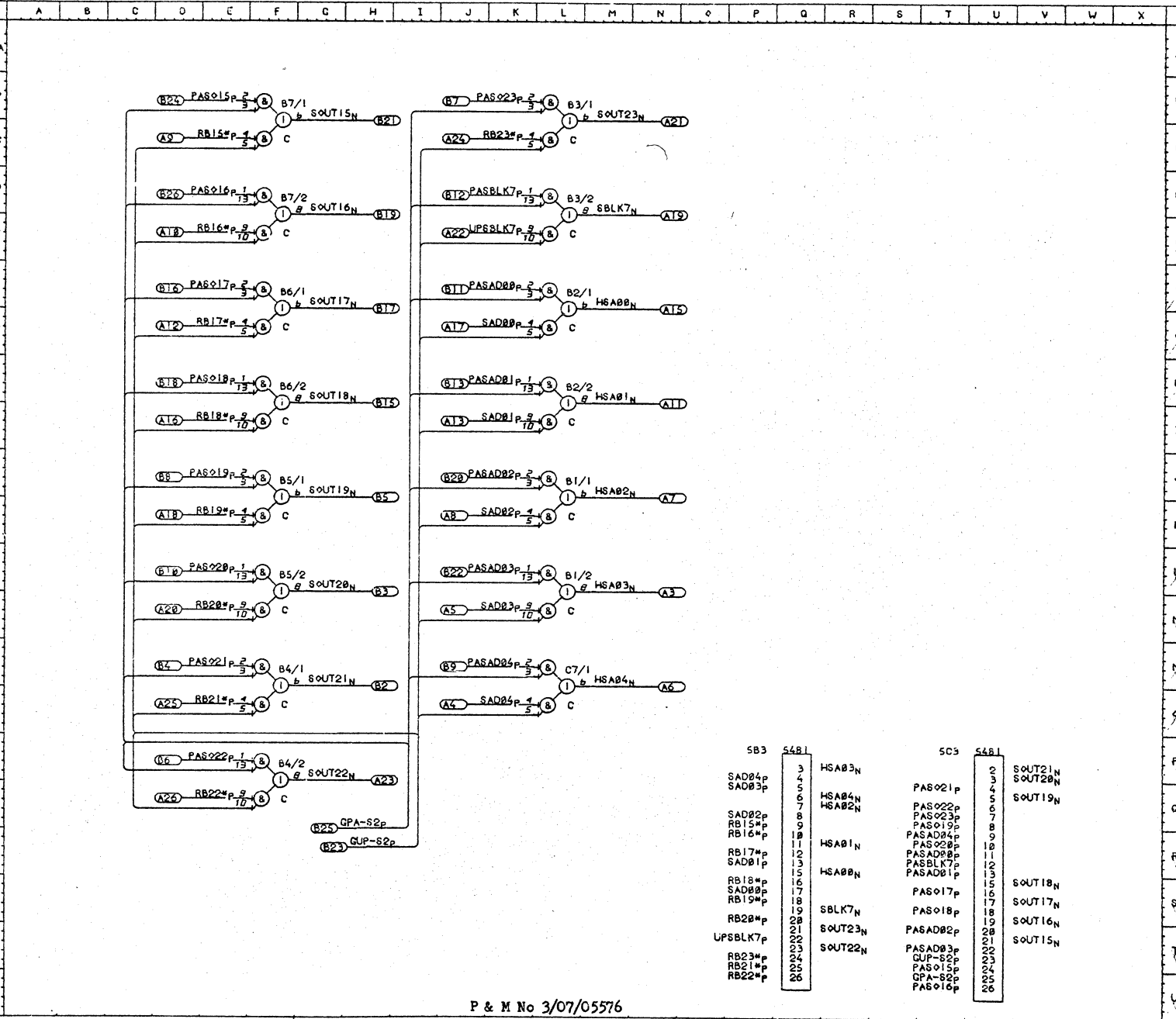


584	5481		504	5481
RB14P	3	SOUT13N		
RB13P	4		PAS006P	2
	5			3
	6	SOUT14N		4
	7	SOUT12N		5
RB12P	8		PAS007P	6
RB00P	9		PAS008P	7
RB01P	10		PAS004P	8
	11	SOUT11N	PAS014P	9
RB02P	12		PAS005P	10
RB11P	13		PAS010P	11
	14	SOUT10N	PAS009P	12
RB03P	15		PAS011P	13
RB10P	16		PAS002P	14
RB04P	17			15
	18	SOUT09N	PAS003P	16
RB05P	19			17
	20	SOUT08N	PAS012P	18
RB09P	21			19
	22	SOUT07N		20
RB08P	23		PAS013P	21
RB06P	24		GUP-S1P	22
RB07P	25		PAS000P	23
	26		GPA-S1P	24
			PAS001P	25
			PAS002P	26

26/02/70 STORE WRITE GATING P & M No. 3/07/05576 WGH01*** / 0280

ISSUE: 1	TYPE MOD: 00	TYPE MOD:	TYPE MOD:	TYPE MOD:	TYPE MOD:	TYPE MOD:
ACD: 2767	ECC:	ECC:	ECC:	ECC:	ECC:	ECC:

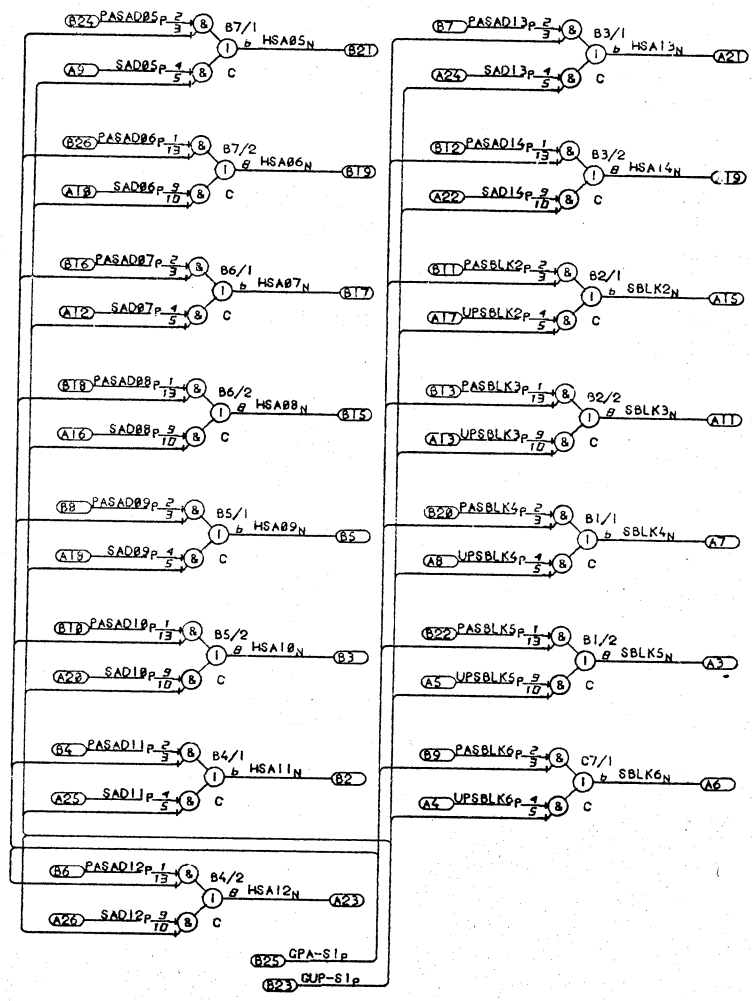
QPA-S2p 276 FB FD FF
 FH FJ FL FN FP
 LB LD LF LH LJ
 LL LN LP 214
 283
 CUP-S2p 276 FB FD FF
 FH FJ FL FN FP
 LB LD LF LH LJ
 LL LN LP 162
 164 283
 HSA00p 284 LF QP 284
 HSA01p 284 LH QP 284
 HSA02p 284 LJ QP 284
 HSA03p 284 LL QP 284
 HSA04p 284 LN QP 284
 PASA00p 288 LF UP
 PASA01p 288 LH UP
 PASA02p 288 LJ UP
 PASA03p 288 LL UP
 PASA04p 288 LN UP
 PASBLK7p 288 LD UP
 PAS015p 288 FB UP
 PAS016p 288 FD UP
 PAS017p 288 FF UP
 PAS018p 288 FH UP
 PAS019p 288 FJ UP
 PAS020p 288 FL UP
 PAS021p 288 FN UP
 PAS022p 288 FP UP
 PAS023p 288 LB UP
 RB15*_p 251 FB QP
 235 290
 RB16*_p 251 FD QP
 236 290
 RB17*_p 251 FF QP
 236 290
 RB18*_p 251 FH QP
 237 290
 RB19*_p 251 FJ QP
 237 290
 RB20*_p 251 48 FL QP
 238 290
 RB21*_p 251 FN QP
 238 290
 RB22*_p 251 FP QP
 239 290
 RB23*_p 251 LB QP
 180 239 290
 SADB0p 279 LF QP
 279
 SADB1p 279 LH QP
 279
 SADB2p 279 LJ QP
 277
 SADB3p 277 LL QP
 277
 SADB4p 277 LN QP
 277
 SBLK7p 276 LD QP 276
 286
 SOUT15N FB UP 287
 SOUT16N FD UP 287
 SOUT17N FF UP 287
 SOUT18N FH UP 287
 SOUT19N FJ UP 287
 SOUT20N FL UP 287
 SOUT21N FN UP 287
 SOUT22N FP UP 287
 SOUT23N LB QP 287
 UPSBLK7p 283 LD QP



583	5481		5C3	5481
SADB4p	3	HSA03N	2	SOUT21N
SADB3p	4		3	SOUT20N
	5	HSA04N	4	SOUT19N
	6	HSA02N	5	
	7		6	
SADB2p	8		7	
RB15* _p	9		8	
RB16* _p	10	HSA01N	9	
	11		10	
RB17* _p	12		11	
SADB1p	13	HSA00N	12	SOUT18N
	14		13	SOUT17N
RB18* _p	15		14	SOUT16N
SADB0p	16		15	SOUT15N
RB19* _p	17		16	
	18	SBLK7N	17	
RB20* _p	19		18	
	20	SOUT23N	19	
UPSBLK7p	21		20	
	22		21	
	23	SOUT22N	22	
RB23* _p	24		23	
RB21* _p	25		24	
RB22* _p	26		25	
			26	

P & M No 3/07/05576

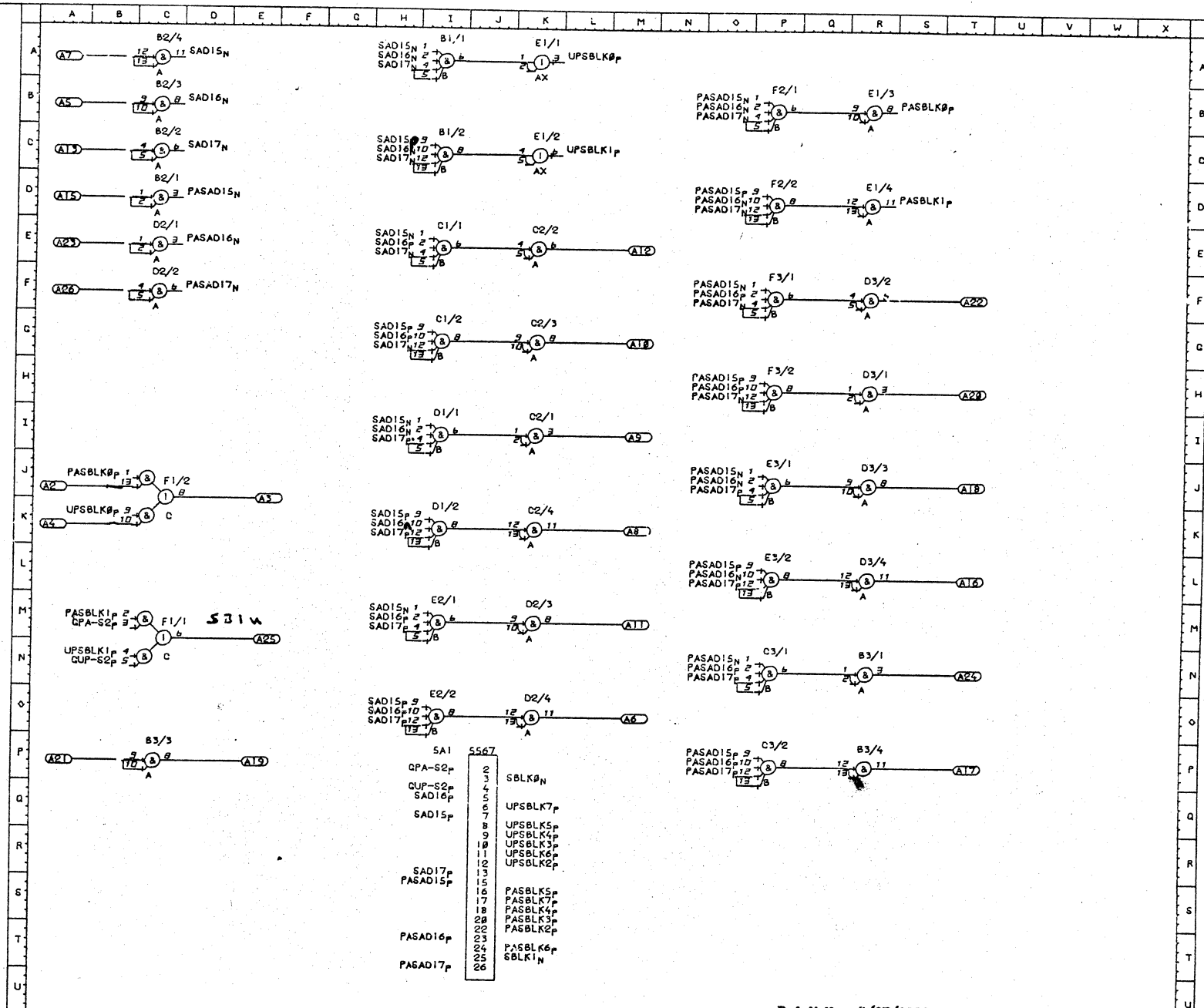
GPA-S1P 276 FB FD FF
 FH LD FL FN FP
 LS LF LH LU
 LL LN UP 288
 GUP-S1P 276 FB FD FF
 FH LD FL FN FP
 LS LF LH LU
 LL LN UP 214
 280
 HSA05N FB UP 284
 285
 HSA06N FD UP 284
 285
 HSA07N FF UP 284
 285
 HSA08N FH UP 284
 285
 HSA09N FJ UP 284
 285
 HSA10N FL UP 284
 285
 HSA11N FN UP 284
 285
 HSA12N FP QP 284
 285
 HSA13N LB QP 284
 285
 HSA14N LD QP 284
 285
 PASAD05P 289 FB UP
 PASAD06P 288 FD UP
 PASAD07P 288 FF UP
 PASAD08P 288 FH UP
 PASAD09P 288 FJ UP
 PASAD10P 288 FL UP
 PASAD11P 288 FN UP
 PASAD12P 288 FP UP
 PASAD13P 288 LB UP
 PASAD14P 288 LD UP
 PASBLK2P 283 LF UP
 PASBLK3P 283 LH UP
 PASBLK4P 283 LJ UP
 PASBLK5P 283 LL UP
 PASBLK6P 283 LN UP
 SAD05P 277 FB QP
 277
 SAD06P 277 FD QP
 277
 SAD07P 277 FF QP
 277
 SAD08P 278 FH QP
 278
 SAD09P 278 FJ QP
 278
 SADI0P 278 FN QP
 278
 SADI1P 278 FP QP
 278
 SADI2P 278 LB QP
 278
 SADI3P 278 LD QP
 278
 SADI4P 279 LF QP
 279
 SBLK2N 285 LH QP 276
 285
 SBLK3N 285 LJ QP 276
 285
 SBLK4N 285 LL QP 276
 285
 SBLK5N 285 LN QP 276
 285
 SBLK6N 285 LN QP 276
 285
 UPSBLK2P 283 LF QP
 UPSBLK3P 283 LH QP
 UPSBLK4P 283 LJ QP
 UPSBLK5P 283 LL QP
 UPSBLK6P 283 LN QP



582	5481	5C2	5481
UPSBLK6P	3	SBLK5N	2
UPSBLK5P	4		3
	5	PASAD11P	4
	6		5
UPSBLK4P	7	SBLK6N	6
SAD05P	8	SBLK4N	7
SAD06P	9		8
SAD07P	10	PASAD12P	9
UPSBLK3P	11	PASAD13P	10
	12	PASAD09P	11
SAD08P	13	PASAD08P	12
UPSBLK2P	14	PASBLK6P	13
	15	PASAD10P	14
SAD09P	16	PASAD07P	15
SADI0P	17	PASAD06P	16
SADI1P	18		17
SADI2P	19	HSA14N	18
	20	HSA13N	19
	21	HSA12N	20
	22		21
	23	PASBLK5P	22
	24	GUP-S1P	23
	25	PASAD05P	24
	26	GPA-S1P	25
		PASAD06P	26

P & M No 3/07/05576

GPA-S2p 276 JP
 CUP-S2p 276 JP
 PASAD15p 288 JP
 PASAD16p 288 JP
 PASAD17p 288 JP
 PASBLK2p JP 282
 PASBLK3p JP 282
 PASBLK4p JP 282
 PASBLK5p JP 282
 PASBLK6p JP 282
 PASBLK7p JP 281
 SADI15p 279 JP
 SADI16p 279 JP
 SADI17p 279 JP
 SBLK0p JP 284 286
 SBLK1p JP 276 284
 286 5582
 UPSBLK2p JP 282
 UPSBLK3p JP 282
 UPSBLK4p JP 282
 UPSBLK5p JP 282
 UPSBLK6p JP 282
 UPSBLK7p JP 281



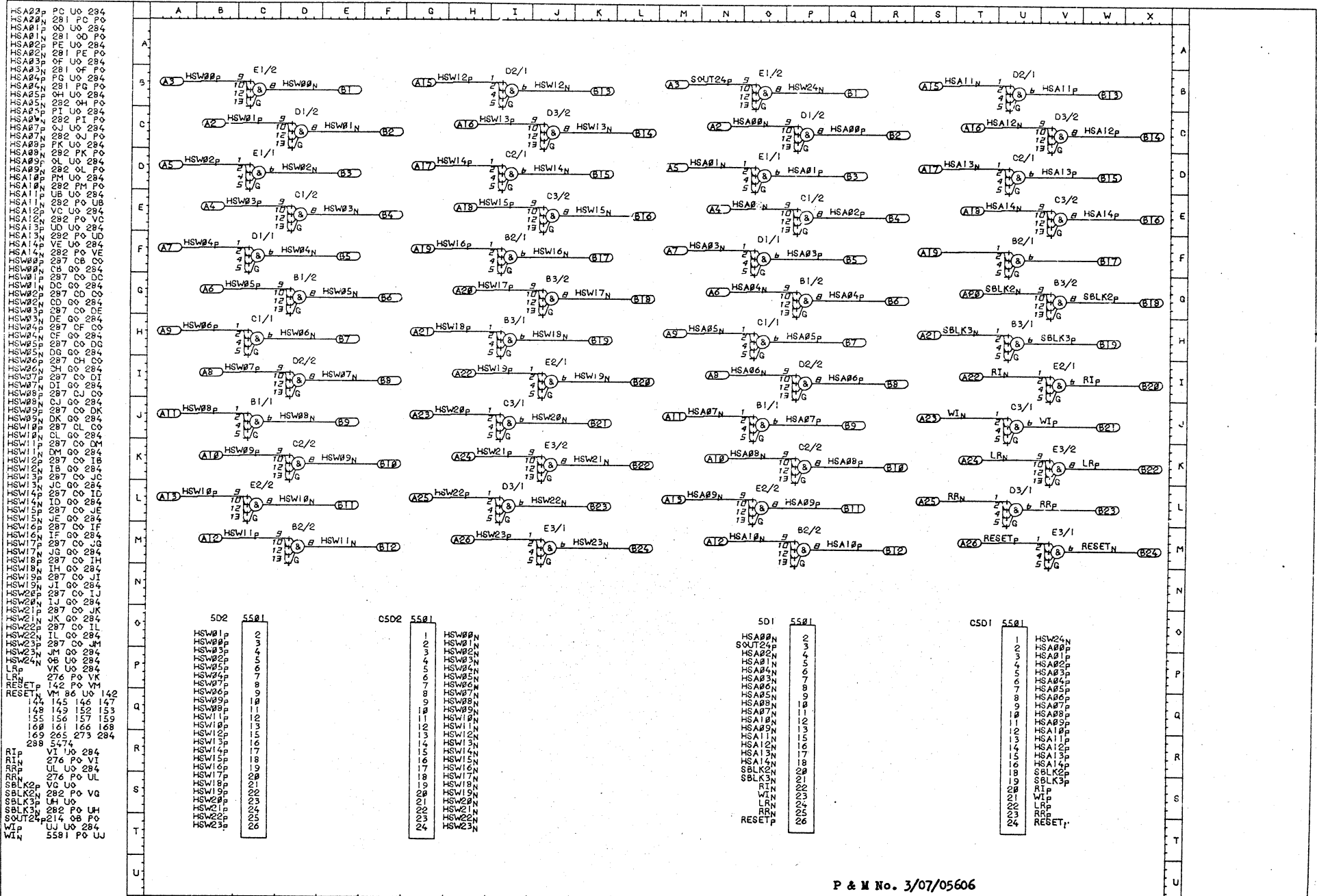
26/02/70

STORE BLOCK DECODE

P & M No. 3/07/05221

WGHO1***/0283

ISSUE: /	TYPE MOD: 432 00	TYPE MOD:	TYPE MOD:	TYPE MOD:	TYPE MOD:	TYPE MOD:
ACC: 2767	ECC:	ECC:	ECC:	ECC:	ECC:	ECC:

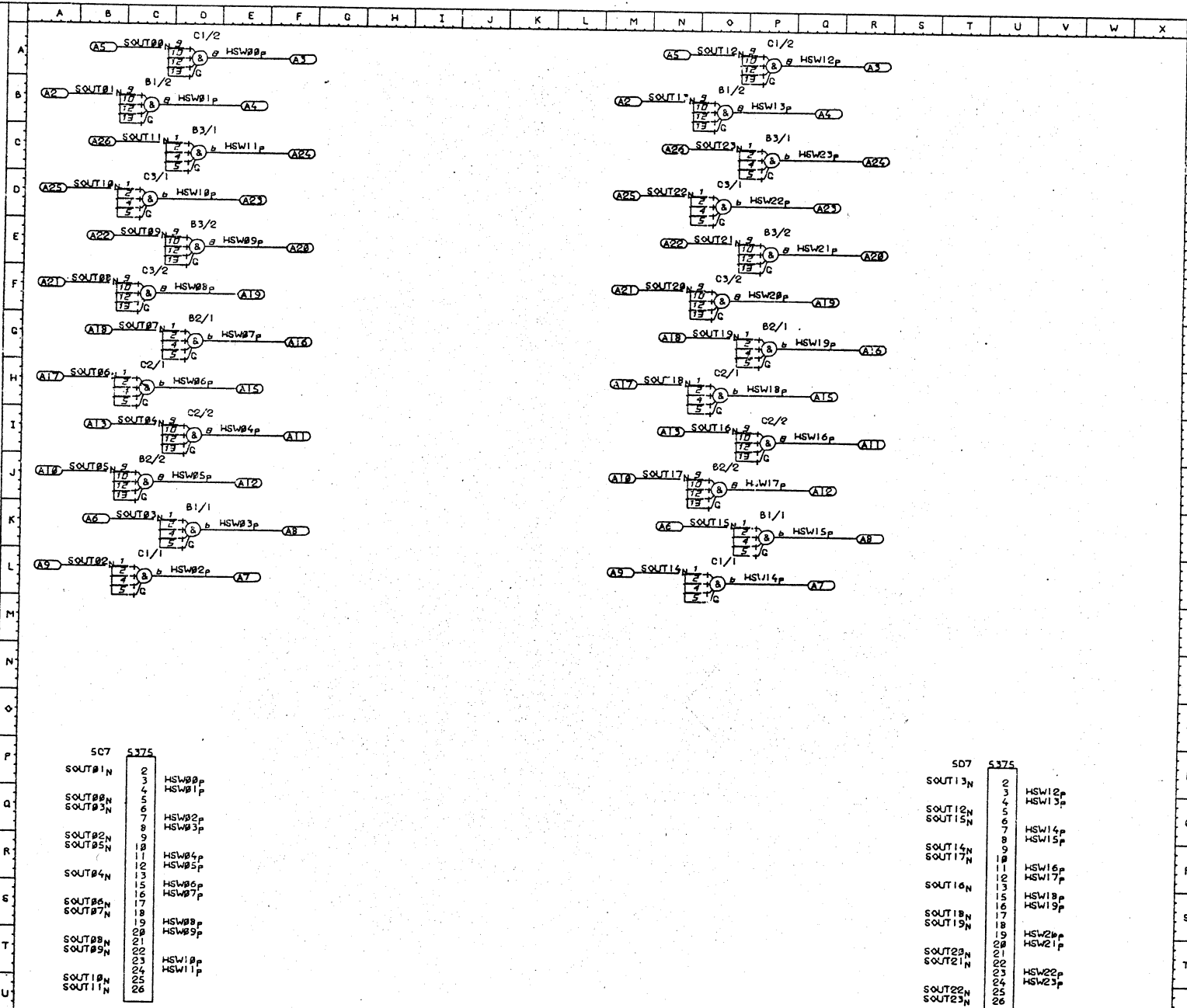


HSA02P PC U0 284
 HSA22P 281 FC P0
 HSA01P 00 U0 284
 HSA01N 281 00 P0
 HSA02P PE U0 284
 HSA02N 281 PE P0
 HSA03P 0F U0 284
 HSA03N 281 0F P0
 HSA04P PG U0 284
 HSA04N 281 PG P0
 HSA05P 0H U0 284
 HSA05N 282 0H P0
 HSA05P 0H U0 284
 HSA05N 282 0H P0
 HSA06P PI U0 284
 HSA06N 282 PI P0
 HSA07P 0J U0 284
 HSA07N 282 0J P0
 HSA08P PK U0 284
 HSA08N 282 PK P0
 HSA09P 0L U0 284
 HSA09N 282 0L P0
 HSA10P PM U0 284
 HSA10N 282 PM P0
 HSA11P UB U0 284
 HSA11N 282 0U P0
 HSA12P VC U0 284
 HSA12N 282 0V P0
 HSA13P UD U0 284
 HSA13N 282 0U P0
 HSA14P VE U0 284
 HSA14N 282 0V P0
 HSW00P CB 00 284
 HSW00N 287 CB 00
 HSW01P 287 CO 00
 HSW01N 00 CO 284
 HSW02P 287 CO 00
 HSW02N 00 CO 284
 HSW03P 287 CO 00
 HSW03N 00 CO 284
 HSW04P 287 CO 00
 HSW04N 00 CO 284
 HSW05P 287 CO 00
 HSW05N 00 CO 284
 HSW06P 287 CO 00
 HSW06N 00 CO 284
 HSW07P 287 CO 00
 HSW07N 00 CO 284
 HSW08P 287 CO 00
 HSW08N 00 CO 284
 HSW09P 287 CO 00
 HSW09N 00 CO 284
 HSW10P 287 CO 00
 HSW10N 00 CO 284
 HSW11P 287 CO 00
 HSW11N 00 CO 284
 HSW12P 287 CO 00
 HSW12N 00 CO 284
 HSW13P 287 CO 00
 HSW13N 00 CO 284
 HSW14P 287 CO 00
 HSW14N 00 CO 284
 HSW15P 287 CO 00
 HSW15N 00 CO 284
 HSW16P 287 CO 00
 HSW16N 00 CO 284
 HSW17P 287 CO 00
 HSW17N 00 CO 284
 HSW18P 287 CO 00
 HSW18N 00 CO 284
 HSW19P 287 CO 00
 HSW19N 00 CO 284
 HSW20P 287 CO 00
 HSW20N 00 CO 284
 HSW21P 287 CO 00
 HSW21N 00 CO 284
 HSW22P 287 CO 00
 HSW22N 00 CO 284
 HSW23P 287 CO 00
 HSW23N 00 CO 284
 RIP 276 P0 V0
 RIN 276 P0 V0
 RRP UL U0 284
 RRN 276 P0 UL
 SBLK2P VG U0
 SBLK2N 282 P0 VG
 SBLK3P UH U0
 SBLK3N 282 P0 UH
 SOUT2P 214 08 P0
 WIP UJ U0 284
 WIN 5501 P0 UJ

28/02/70 STORE DRIVER INTERFACE (2) WGH01***/0285
 P & M No. 3/07/05606

ISSUE: 1	TYPE MOD: 00	TYPE MOD:	TYPE MOD:	TYPE MOD:	TYPE MOD:
ACC: 2767	ECC:	ECC:	ECC:	ECC:	ECC:

HSW28p DA CP 284
 285
 HSW1p CB CP 284
 285
 HSW6p CL CP 284
 285
 HSW3p OK CP 284
 285
 HSW4p DI CP 284
 285
 HSW5p CJ CP 284
 285
 HSW6p CH CP 284
 285
 HSW7p DQ CP 284
 285
 HSW8p CF CP 284
 285
 HSW9p DE CP 284
 285
 HSW10p CD CP 284
 285
 HSW11p DC CP 284
 285
 HSW12p PA UP 284
 285
 HSW13p OB UP 284
 285
 HSW14p OL UP 284
 285
 HSW15p PK UP 284
 285
 HSW16p PI UP 284
 285
 HSW17p OJ UP 284
 285
 HSW18p OH UP 284
 285
 HSW19p OF UP 284
 285
 HSW20p PE UP 284
 285
 HSW22p OD UP 284
 285
 HSW23p PC UP 284
 285
 SOUT00p 280 CP DA
 SOUT01p 280 CP CB
 SOUT02p 280 CP CL
 SOUT03p 280 CP OK
 SOUT04p 280 CP DI
 SOUT05p 280 CP CJ
 SOUT06p 280 CP CH
 SOUT07p 280 CP DQ
 SOUT08p 280 CP CF
 SOUT09p 280 CP DE
 SOUT10p 280 CP CD
 SOUT11p 280 CP DC
 SOUT12p 280 CP PA
 SOUT13p 280 CP OB
 SOUT14p 280 CP OL
 SOUT15p 280 CP PK
 SOUT16p 280 CP PI
 SOUT17p 280 CP OJ
 SOUT18p 280 CP OH
 SOUT19p 280 CP OF
 SOUT20p 280 CP PE
 SOUT22p 280 CP OD
 SOUT23p 280 CP PC



SOUT#N	507	5375	HSW#P
SOUT01N	2	3	HSW00p
SOUT02N	4	5	HSW01p
SOUT03N	6	7	HSW02p
SOUT04N	8	9	HSW03p
SOUT05N	10	11	HSW04p
SOUT06N	12	13	HSW05p
SOUT07N	14	15	HSW06p
SOUT08N	16	17	HSW07p
SOUT09N	18	19	HSW08p
SOUT10N	20	21	HSW09p
SOUT11N	22	23	HSW10p
SOUT12N	24	25	HSW11p
SOUT13N	26		

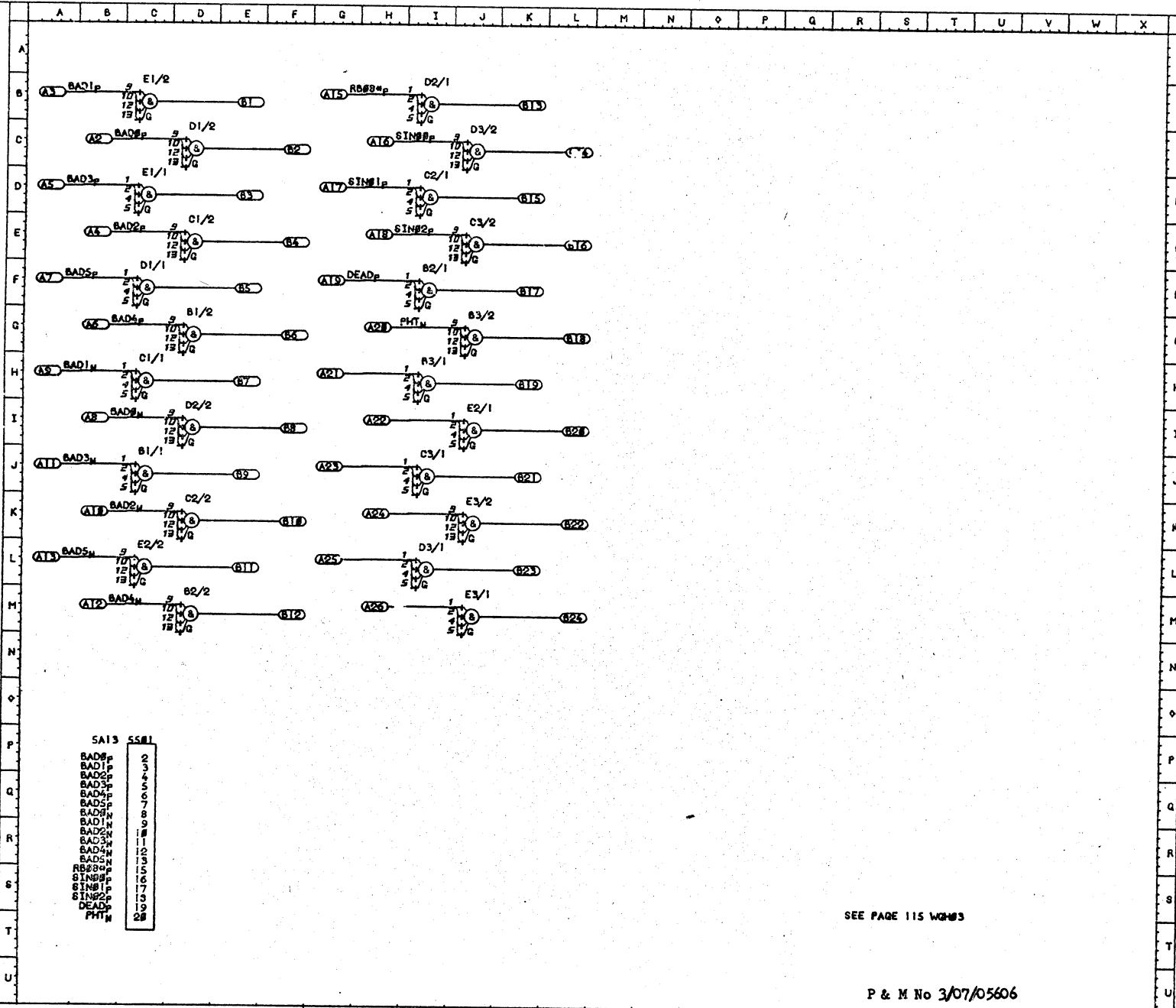
SOUT#N	507	5375	HSW#P
SOUT13N	2	3	HSW12p
SOUT14N	4	5	HSW13p
SOUT15N	6	7	HSW14p
SOUT16N	8	9	HSW15p
SOUT17N	10	11	HSW16p
SOUT18N	12	13	HSW17p
SOUT19N	14	15	HSW18p
SOUT20N	16	17	HSW19p
SOUT21N	18	19	HSW20p
SOUT22N	20	21	HSW21p
SOUT23N	22	23	HSW22p
SOUT24N	24	25	HSW23p
SOUT25N	26		

P & M No. 3/07/06647

26/02/70 STORE WRITE GATING WGH01***/0287

ISSUE:	TYPE	MOD:	TYPE	MOD:	TYPE	MOD:	TYPE	MOD:	TYPE	MOD:
1		00								
ACC: 2747	ECC:		ECC:		ECC:		ECC:		ECC:	

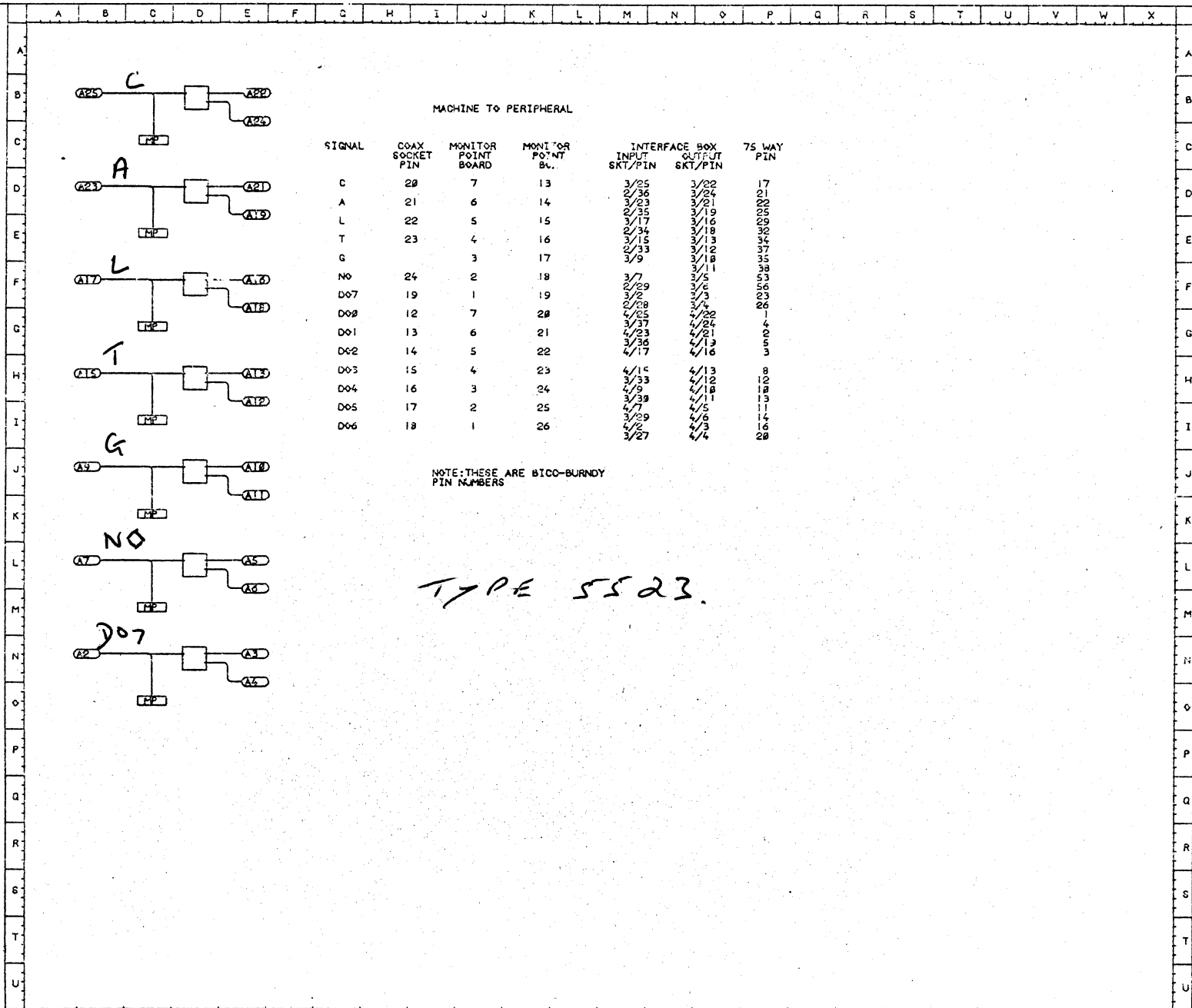
BAD6_p 262 CP DC
 253 274
 BAD3_n 252 CP DI
 253 254 274
 BAD1_p 262 CB CP
 253 274
 BAD1_n 262 CH CP
 274
 BAD2_p 262 CP DE
 BAD2_n 262 CP DK
 253
 BAD3_p 262 CP DJ
 BAD3_n 262 CL CP
 253
 BAD4_p 262 CP DG
 BAD4_n 262 CP DH
 253
 BAD5_p 262 CP DI
 BAD5_n 262 CP DJ
 253
 DEAD_p 164 CP IF
 PHT_n 265 CP JG
 270
 RB8_p 251 CP IB
 232 288 298
 SIN8_p 286 CP JC
 287 288
 SIN8_n 286 CP ID
 287 288
 SIN8_p 286 CP JE
 207 288



SA13	5581
BAD6 _p	2
BAD1 _p	3
BAD2 _p	4
BAD3 _p	5
BAD4 _p	6
BAD5 _p	7
BAD6 _n	8
BAD1 _n	9
BAD2 _n	10
BAD3 _n	11
BAD4 _n	12
BAD5 _n	13
RB8 _p	14
SIN8 _p	15
SIN8 _n	16
SIN8 _p	17
SIN8 _n	18
DEAD _p	19
PHT _n	20

SEE PAGE 115 WGH03

P & M No 3/07/05606



MACHINE TO PERIPHERAL

SIGNAL	COAX SOCKET PIN	MONITOR POINT BOARD	MONITOR POINT BU.	INTERFACE BOX INPUT SKT/PIN	INTERFACE BOX OUTPUT SKT/PIN	75 WAY PIN
C	20	7	13	3/25	3/22	17
A	21	6	14	2/36	3/24	21
L	22	5	15	3/23	3/21	22
T	23	4	16	2/35	3/19	25
G		3	17	3/17	3/16	29
No	24	2	18	2/34	3/18	32
D07	19	1	19	3/15	3/13	34
D00	12	7	20	2/33	3/12	37
D01	13	6	21	3/9	3/11	38
D02	14	5	22	3/7	3/5	53
D03	15	4	23	2/29	3/6	56
D04	16	3	24	3/2	3/3	23
D05	17	2	25	3/28	3/4	26
D06	18	1	26	4/25	4/22	1
				3/37	4/24	4
				4/23	4/21	5
				3/36	4/19	2
				4/17	4/16	3
				4/15	4/13	8
				3/33	4/12	12
				4/9	4/16	15
				3/39	4/11	13
				4/7	4/5	11
				3/29	4/6	14
				4/2	4/3	16
				3/27	4/4	20

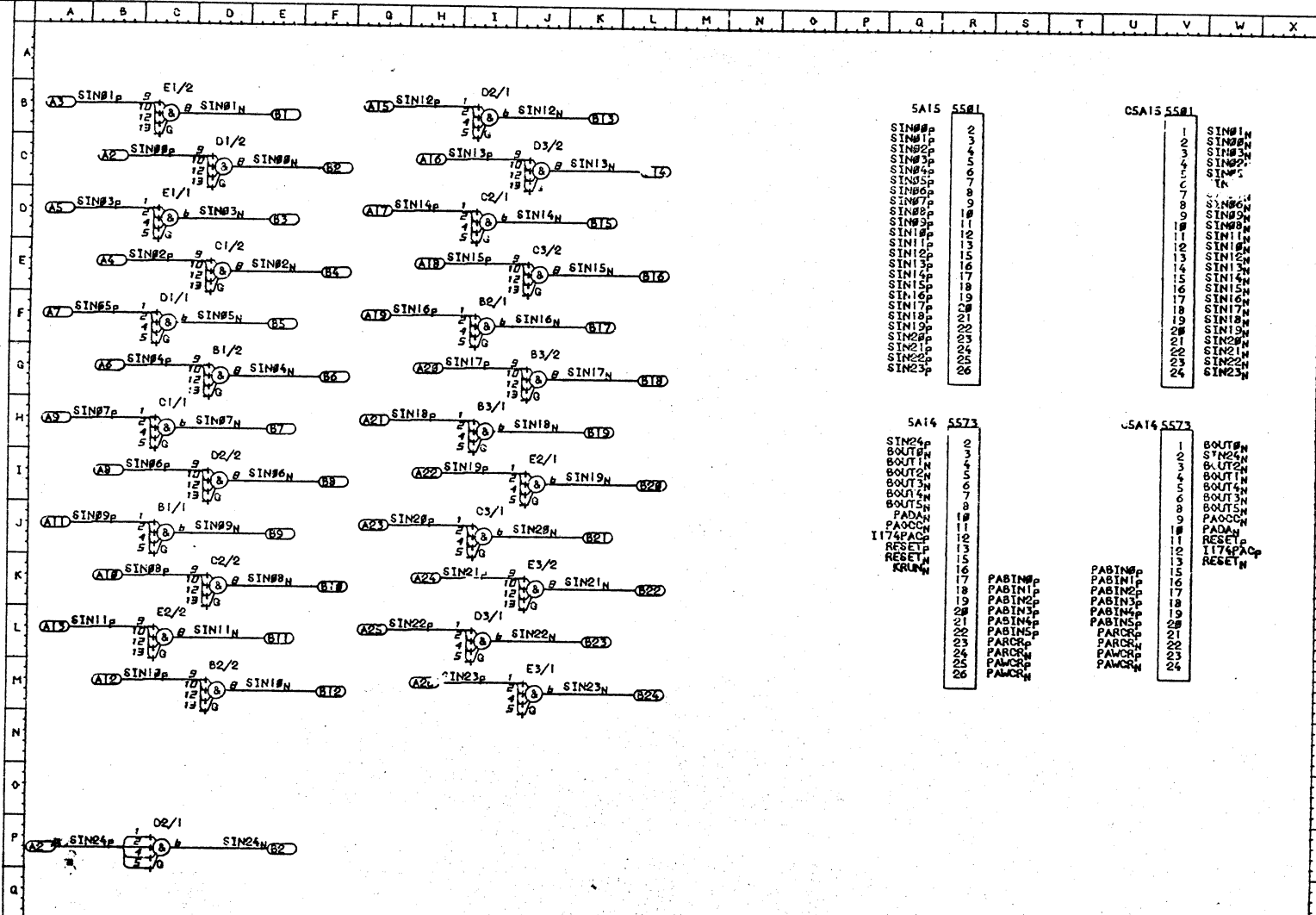
NOTE: THESE ARE BICO-BURNDY PIN NUMBERS

TYPE 5523.

CCW:0211 05/05/70 S.I. TRANSMITTER WGH01***/0292 DATA COM213

ISSUE: 2	TYPE MOD:	TY: MOD:	TYPE MOD:	TYPE MOD:	TYPE MOD:
ADD: 30 17 (ECC 4085)	ECC: 4085	ECC:	ECC:	ECC:	ECC:

BOUT#N 273 RH VH
 BOUT1N 273 RH VH
 BOUT2N 273 RH VH
 BOUT3N 273 RH VH
 BOUT4N 273 RH VH
 BOUT5N 273 RH VH
 I174PAC 5493 RH VH
 KRUN#N E J RH 163
 259
 PABIN#RH VH 267
 PABIN1RH VH 267
 PABIN2RH VH 267
 PABIN3RH VH 267
 PABIN4RH VH 267
 PABIN5RH VH 267
 PABIN6RH VH 267
 PAOC#N 276 RH VH
 PAOC1N 276 RH VH
 PAOC2N 276 RH VH
 PAOC3N 276 RH VH
 PAOC4N 276 RH VH
 PAOC5N 276 RH VH
 PAOC6N 276 RH VH
 PAOC7N 276 RH VH
 PAOC8N 276 RH VH
 PAOC9N 276 RH VH
 PAOC10N 276 RH VH
 RESET#N 144 RH VH
 SIN#D 286 DC RB
 SIN#N 286 DC RB
 SIN#2N 286 DC RB
 SIN#3N 286 DC RB
 SIN#4N 286 DC RB
 SIN#5N 286 DC RB
 SIN#6N 286 DC RB
 SIN#7N 286 DC RB
 SIN#8N 286 DC RB
 SIN#9N 286 DC RB
 SIN#10N 286 DC RB
 SIN#11N 286 DC RB
 SIN#12N 286 DC RB
 SIN#13N 286 DC RB
 SIN#14N 286 DC RB
 SIN#15N 286 DC RB
 SIN#16N 286 DC RB
 SIN#17N 286 DC RB
 SIN#18N 286 DC RB
 SIN#19N 286 DC RB
 SIN#20N 286 DC RB
 SIN#21N 286 DC RB
 SIN#22N 286 DC RB
 SIN#23N 286 DC RB
 SIN#24N 286 DC RB
 275



5A15 5501	
SIN#p	2
SIN#N	3
SIN#2N	4
SIN#3N	5
SIN#4N	6
SIN#5N	7
SIN#6N	8
SIN#7N	9
SIN#8N	10
SIN#9N	11
SIN#10N	12
SIN#11N	13
SIN#12N	14
SIN#13N	15
SIN#14N	16
SIN#15N	17
SIN#16N	18
SIN#17N	19
SIN#18N	20
SIN#19N	21
SIN#20N	22
SIN#21N	23
SIN#22N	24
SIN#23N	25
SIN#24N	26

5A15 5501	
1	SIN#1N
2	SIN#2N
3	SIN#3N
4	SIN#4N
5	SIN#5N
6	SIN#6N
7	SIN#7N
8	SIN#8N
9	SIN#9N
10	SIN#10N
11	SIN#11N
12	SIN#12N
13	SIN#13N
14	SIN#14N
15	SIN#15N
16	SIN#16N
17	SIN#17N
18	SIN#18N
19	SIN#19N
20	SIN#20N
21	SIN#21N
22	SIN#22N
23	SIN#23N
24	SIN#24N

5A14 5573	
SIN#p	2
SIN#N	3
SIN#2N	4
SIN#3N	5
SIN#4N	6
SIN#5N	7
SIN#6N	8
SIN#7N	9
SIN#8N	10
SIN#9N	11
SIN#10N	12
SIN#11N	13
SIN#12N	14
SIN#13N	15
SIN#14N	16
SIN#15N	17
SIN#16N	18
SIN#17N	19
SIN#18N	20
SIN#19N	21
SIN#20N	22
SIN#21N	23
SIN#22N	24
SIN#23N	25
SIN#24N	26

5A14 5573	
1	BOUT#N
2	SIN#2N
3	BOUT2N
4	BOUT3N
5	BOUT4N
6	BOUT5N
7	BOUT6N
8	BOUT7N
9	BOUT8N
10	BOUT9N
11	BOUT10N
12	BOUT11N
13	BOUT12N
14	BOUT13N
15	BOUT14N
16	BOUT15N
17	BOUT16N
18	BOUT17N
19	BOUT18N
20	BOUT19N
21	BOUT20N
22	BOUT21N
23	BOUT22N
24	BOUT23N
25	BOUT24N

NOTE: LINES ARE TERMINATED

5501 - P & M No. 3/07/05606
 5573 - P & M No. 3/07/05607

0800FIX

DELETE

ERRRMIN/DELETE 3AMRIS2194MB73A COMMAND

L9448/FLI15015001F CENTRAL PROCESSOR TEST

```

FIN D1 B0E 00000000 D1 B2E 40000001 D1 D2E 40000000
D1 F0E 17777776 D1 F1E 17777776 D1 F2E 00000001
D2 A4E 00000000 D3 A3E 77777777 D3 A4E 00000000
D4 B0E 00000000 D4 B2E 40000001 D4 D2E 40000000
D4 F0E 17777776 D4 F1E 17777776 D4 F2E 00000001
D5 A6E 37777777 D5 A8E 03777773 D5 B6E 37777776
D5 B8E 77777777 D5 C6E 37777777 JUM 00012360 00012335 JUM 00012360 000

```

LIB. NU. / HOW MANY K? 9448/32
L9448/FLI15015001F CENTRAL PROCESSOR TEST

```

D1 B0E 00000000 D1 B2E 40000001 D1 D2E 40000000
D1 F0E 17777776 D1 F1E 17777776 D1 F2E 00000001
D2 A4E 00000000 D3 A3E 77777777 D3 A4E 00000000
D4 B0E 00000000 D4 B2E 40000001 D4 D2E 40000000
D4 F0E 17777776 D4 F1E 17777776 D4 F2E 00000001
D5 A6E 37777777 D5 A8E 03777773 D5 B6E 37777776
D5 B8E 77777777 D5 C6E 37777777 D5 C8E 00000000
D1 AVE 40012335 JUM 00012360 00012335 D1 B0N 00000000
D1 B2N 40000001 D1 D2N 40000000 D1 F0N 17777776
D1 F1N 17777776 D1 F2N 00000001 D2 A4N 00000000
D3 A3N 77777777 D3 A4N 00000000 D4 B0N 00000000
D4 B2N 40000001 D4 D2N 40000000 D4 F0N 17777776
D4 F1N 17777776 D4 F2N 00000001 D5 A6N 37777777
D5 A8N 03777773 D5 B6N 37777776 D5 B8N 77777777
D5 C6N 37777777 D5 C8N 00000000 U1 AVE 40012336
JUM 00012360 00012335 D1 B0E 00000000
D1 B2E 40000001 D1 D2E 40000000 D1 F0E 17777776
D1 F1E 17777776 D1 F2E 00000001 D2 A4E 00000000
D3 A3E 77777777 D3 A4E 00000000 D4 B0E 00000000
D4 B2E 40000001 D4 D2E 40000000 D4 F0E 17777776
D4 F1E 17777776 D4 F2E 00000001 D5 A6E 37777777
D5 A8E 03777773 D5 B6E 37777776 D5 B8E 77777777
D5 C6E 37777777 D5 C8E 00000000 U1 AVE 40012336
JUM 00012360 00012335 D1 B0N 00000000 D1 B2N 40000001
D1 F0N 17777776 D1 F1N 17777776
D3 A3N 77777777
D4 B2N 40000001
D4 F1N 17777776

```